

I N D E X

D E S I G N A T I O N	B O A R D N R
CARRIAGES	1
CARRIAGE COVERS	2
ARMATURES & YARN GUIDES	3
CAM MOUNTING & CAMS	4
BACK CARRIAGE SELECTOR SYSTEM	5
FRONT CARRIAGE TOP SIDE	6
FRONT & CONVERSION BED	7
BACK BED WITHOUT NEEDLE SELECTION	8
BACK BED WITH NEEDLE SELECTION	9
AUTO TENSION UNIT	10
ACCESSORIES	11 & 12
SELECTION BOX	13
POWER INPUT PRINTED CIRCUIT	13a
SWITCH BOARD PRINTED CIRCUIT	13b
MAIN PRINTED CIRCUIT	13c1 c2 c3
LAMP	14
LACE AND TRANSFER CARRIAGE	15
PUNCH PILE, WEFT, PLAITING KNITTING DEVICE	16
PATTERN DRIVER	17
FIXING ACCESSORIES	17a
DOUBLE GARTER KNIT CARRIAGE	18
WOOLWINDER W.W.	19

IMPORTANT NOTICE

All the parts marked with an asterisk (*) are not delivered individually, they are only delivered assembled within the outlined parts where they are contained.

The indicated parts with the mark N.G. are specific to the knitting machines of the new generation S48/S28/S46/S26.

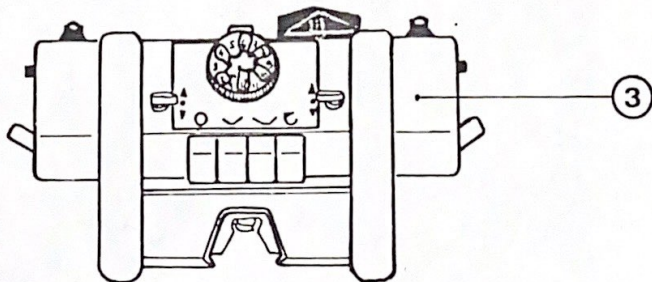
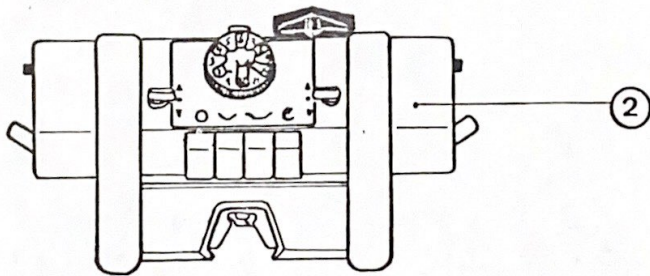
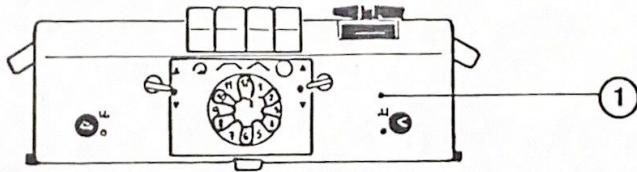
All the other parts are common to the previous and to the new generation.

CARRIAGES

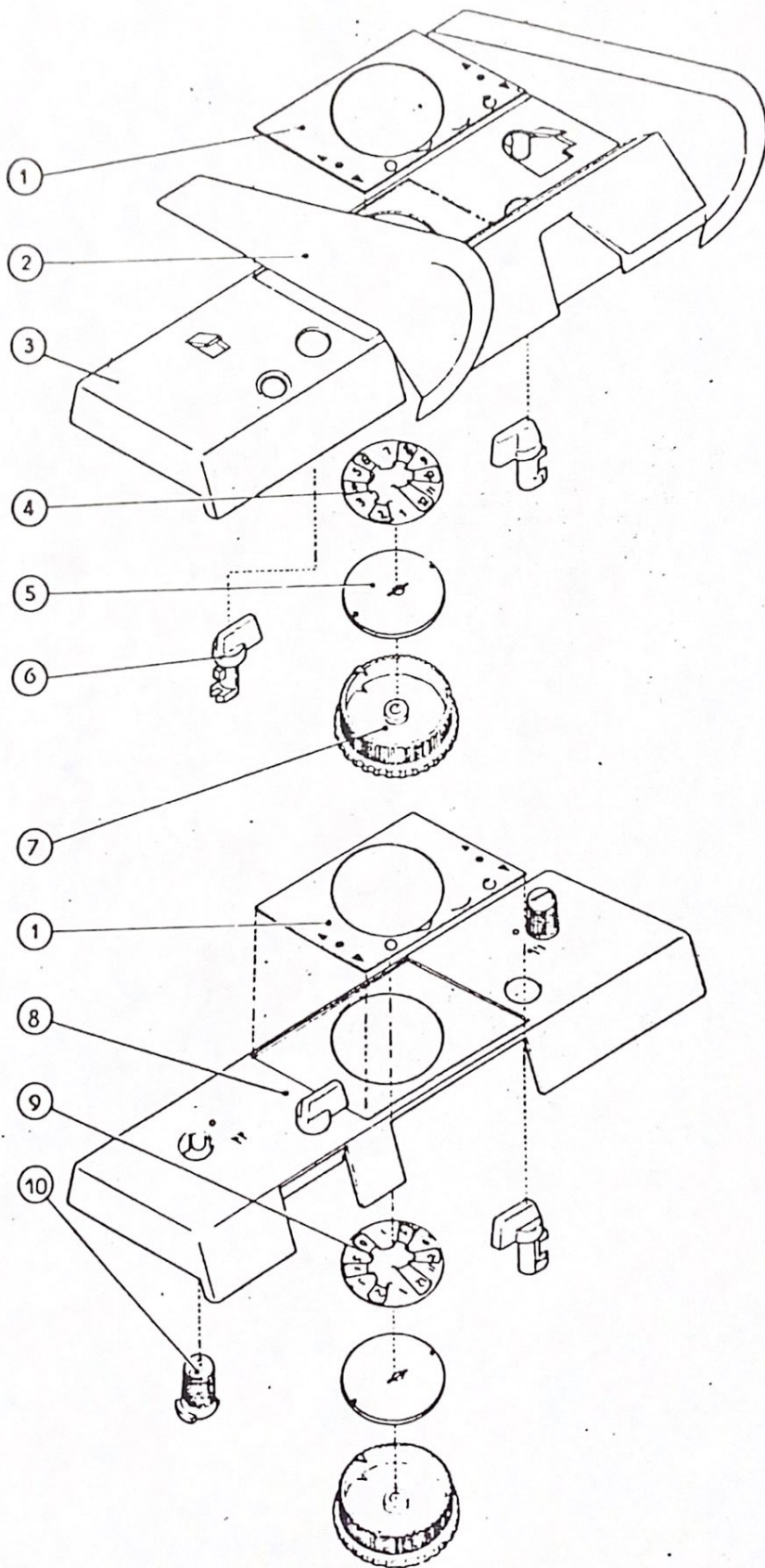
SUPERBA

1

Item		Réf.	Désignation
1	N.G.	2 823	Front needle bed carriage
2	N.G.	2 824	Back carriage without automatic needle selection
3	N.G.	2 825	Back carriage with automatic needle selection Type A



Item		Réf.	Description
1	N.G.	2 259	Key selection plate
2		4 270	Carriage handle
3	N.G.	2 276	Back carriage cover
4	N.G.	2 257	Stitch size dial indicator - back carriage
5		8 251	Stitch size dial indicator plate
6		4 253	Needle return button
7		4 250	Stitch size button
8	N.G.	2 268	Front carriage cover
9	N.G.	2 252	Stitch size dial indicator - front carriage
10	N.G.	2 265	Needle selector buttons complete front carriage assembly (2)

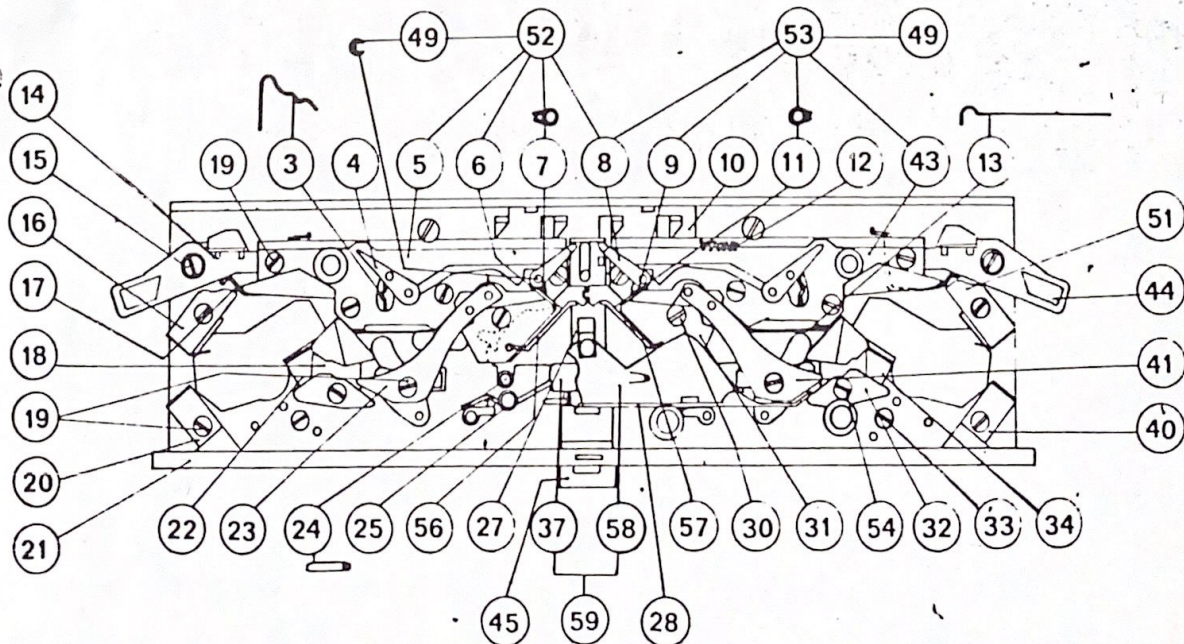
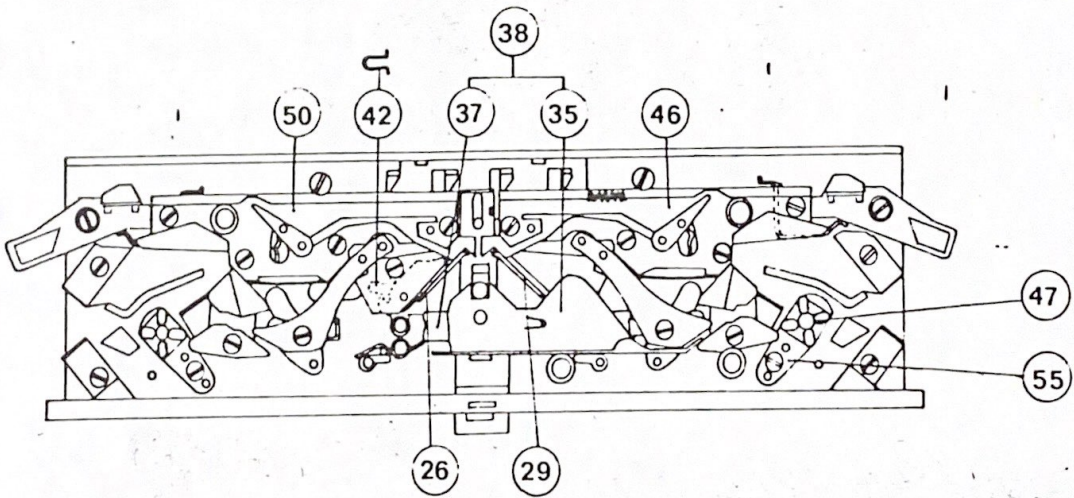
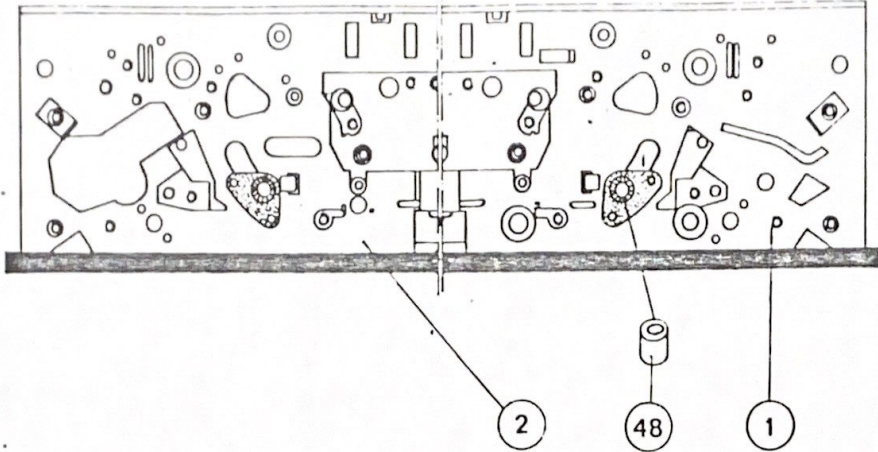


ARMATURES & YARN GUIDES

SUPERBA

Item	Réf.	Machine	Description
1	8 175		Knit retainer mounting stud (x2)
2	8 174		Knit retaining wheel
3	9 001		Knit retaining wheel plate mounting screw
6	8 274		Back carriage handle bracket right
7	8 151		Brush & Yarn guide mounting plate
8	9 050		Handle bracket mounting screw-right (x4)
11	8 275		Back carriage handle bracket-left
12	9 059		Knit retainer wheel mounting screw washer
13	9 018		Back carriage handle bracket mounting screw spring washer
14	9 033		Brush and yarn guide mounting plate screw
15	8 285		Back carriage handle bracket mounting spacer
16	9 010		Back carriage handle bracket mounting star washer
17	9 034		Back carriage handle bracket mounting screw (x 2)
19	8 154		Main yarn guide
20	9 007		Latch brush mounting screw (x2)
21	8 160		Depressor wheel mounting clip (x2)
22	8 159		Latch brush (x2)
23	8 158		Brush deflector mounting insert
24	9 060		Knit retainer mounting stud spring clip
25	8 156		<u>Knit retainer assembly complete</u>
26	8 278		Row counter cam
29	8 155		Main yarn guide fixing clamp
30	9 063		Main yarn guide spring washer
31	9 048		Main yarn guide mounting screw
32	9 090		Shouldered screw
33	8 143		Locking lever
34	9 545		Nut Q M3

Item	Réf.	Machine	Description
1	8 201		Standard carriage base plate
2	8 400		Auto-selector carriage base plate
3	8 224		Needle return cam position spring (x2)
4	8 227		Needle return cam (x2)
5	8 222 *		Back carriage holding position needle track-left
6	8 225 *		Check cam-left
7	8 272 *		Upper left jacquard cam spring
8	8 271 *		Upper jacquard cam (x2)
9	8 226 *		Check cam-right
10	8 215		Selector key locking plate
11	8 273 *		Upper right jacquard cam spring
12	8 216		Selector key locking plate return spring
13	8 214		Stitch cam return spring
14	8 205		Carriage locking lever-left
15	8 207		Carriage locking lever hinge screw (x2)
16	7 033		Double positioning spring-left
17	8 208		Carriage locking lever return spring
18	8 220		Fixed cam-left
19	9 015		Positioning spring mounting screw (28)
20	8 202		Lower positioning spring-left
21	8 256		Glider
22	8 218		Selector positioning spring-left
23	8 212		Stitch cam-left
24	8 244		Tucking cam engaging pin
25	8 284		Jacquard cam engaging plate return spring
26	8 296		Front carriage lower jacquard cam-left
27	8 279		Jacquard cam engaging plate
28	8 248		Needle rail
29	8 297		Front carriage lower jacquard cam-right
30	9 001		Lower jacquard cam retaining plate mounting screw
31	8 217		Lower jacquard cam retaining plate
32	8 221		Fixed cam-right
33	9 043		Carriage cover fixing screw (x4)
34	8 219		Selector positioning spring right
35	8 245 *		Tucking cam front
37	8 246 *		Tucking cam return spring
38	8 291		<u>Tucking cam front + tucking cam return spring</u>
40	8 203		Lower positioning spring-right
41	8 213		Stitch cam right
42	8 282		Lower jacquard cam return spring
43	8 223 *		Back carriage needle track-right
44	8 206		Carriage locking lever-right
45	4 283		Jacquard key
46	8 267		Front carriage needle track-right
47	8 204		See board Nr 6 (front carriage selection wheel assy)
48	8 200		Cross-piece for stitch-cams
49	9 045		Upper jacquard cam retaining clip
50	8 266		Front carriage needle track-right
51	7 034		Double positioning spring-left
52	8 293		<u>Back carriage needle track assembly left</u>
53	8 294		<u>Back carriage needle track "right"</u>
54	9 051		Fixed cam mounting screw (4)
55	8 298		Selection wheel orientation spring
56	8 288		Back carriage lower Jacquard cam-left
57	8 289		Back carriage lower Jacquard cam-right
58	8 247 *		Rear tucking cam
59	8 292		<u>Tucking cam rear + tucking cam return spring</u>



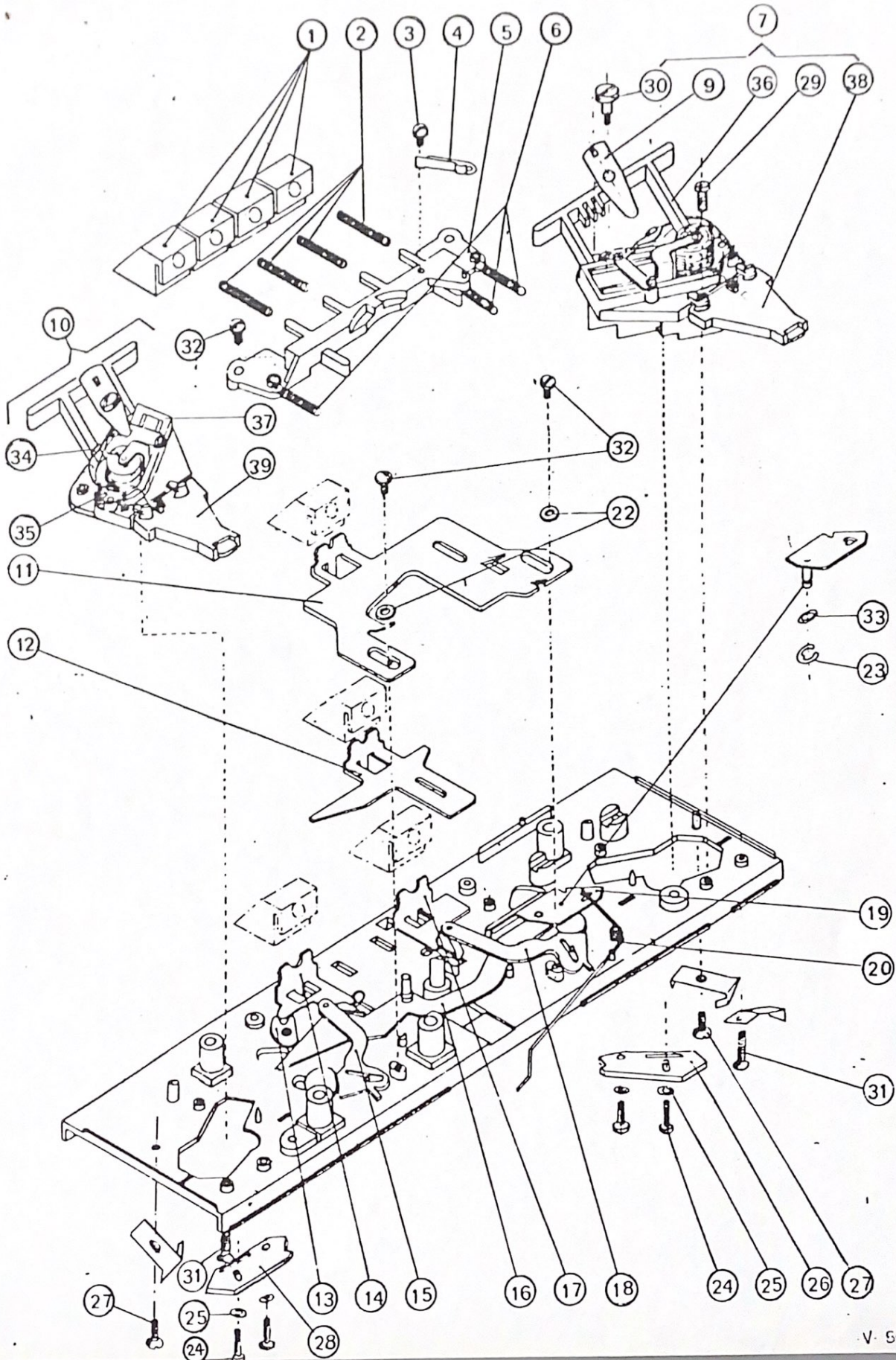
BACK CARRIAGE SELECTOR SYSTEM

SUPERBA

Item	Réf.	Description
1	4 238	Selector key
2	8 237	Selector key spring
3	9 001	Stitch size dial spring mounting screw
4	8 242	Stitch size dial index spring
5	8 236	Selector keys engaging plate bridge
6	8 243	Stitch cam engaging lever return spring
7	7 013	Left selector block assembly
9	8 885	Supporting spring assembly
10	7 014	Right selector block assembly
11	8 234	Tucking cam engaging plate
12	8 233	Stocking stitch engaging plate
13	8 235	Secondary stitch cam stop plate
14	8 232	Circular knitting engaging plate
15	8 209	Stitch cam engaging lever right
16	8 229	Main stitch cam stop plate
17	8 231	Cancellation key tripping plate
18	8 211	Stitch cam engaging lever left
19	8 230	Main stitch cam stop plate cam
20	7 002	Main stitch cam stop plate return spring
22	9 059	Engaging plates washer (X 2)
23	9 009	Main stitch cam stop plate cam retaining clip
24	9 068	Fixing screw of the adjusting plate (X 2)
25	9 080	Washer of the fixing screw of the adjusting plate (X 2)
26	8 497	Left adjusting plate
27	9 015	Fixing screw for double positioning spring
28	8 498	Right adjusting plate
29	9 043	Fixing screw for the foot of the selector
30	9 090	Fixing screw for selector bloc spring
31	9 087	Fixing screw for selector bloc and positioning spring
32	9 048	Fixing screw for engaging plate and bridge (X 4)
33	9 017	Main stitch cam stop plate washer
34	8 884	Zener diode 51 V
35	8 493	Diode 1 N 4148
36	7 015	Left selector bloc unit
37	7 016	Right selector bloc unit
38	8 928	Left selector bloc foot unit
39	8 929	Right selector bloc foot unit

5

5



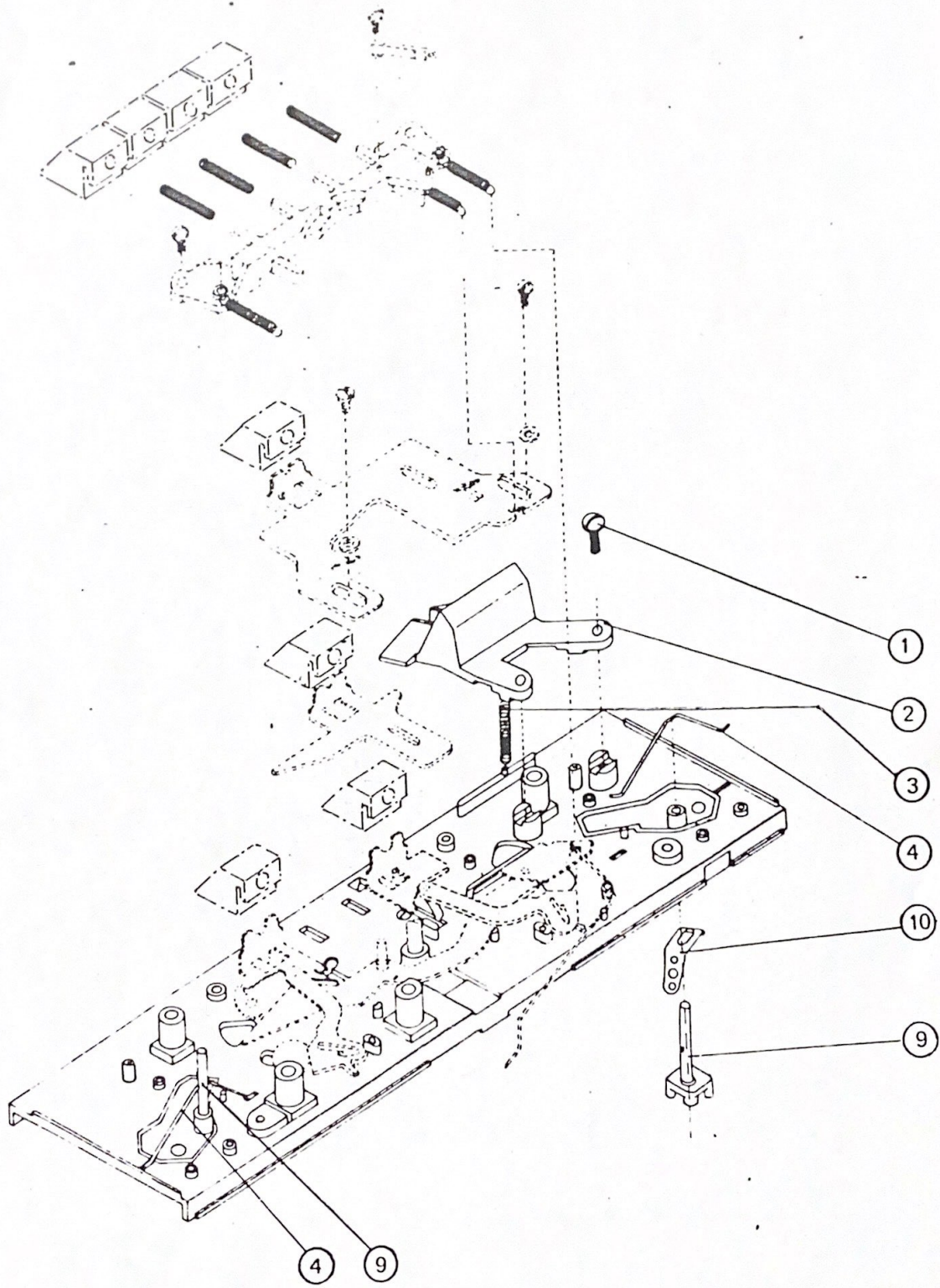
6

6

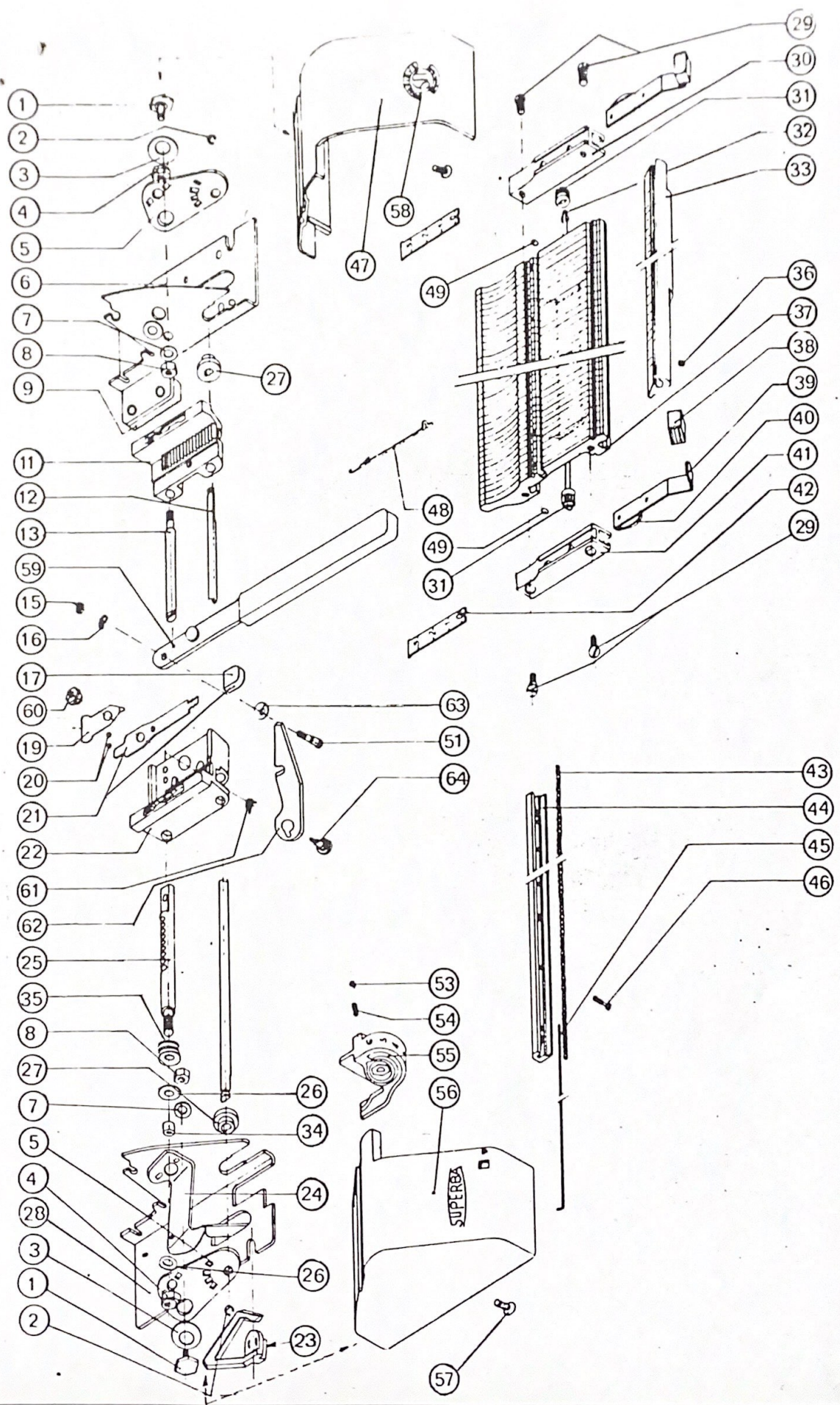
FRONT CARRIAGE - TOP SIDE

SUPERBA

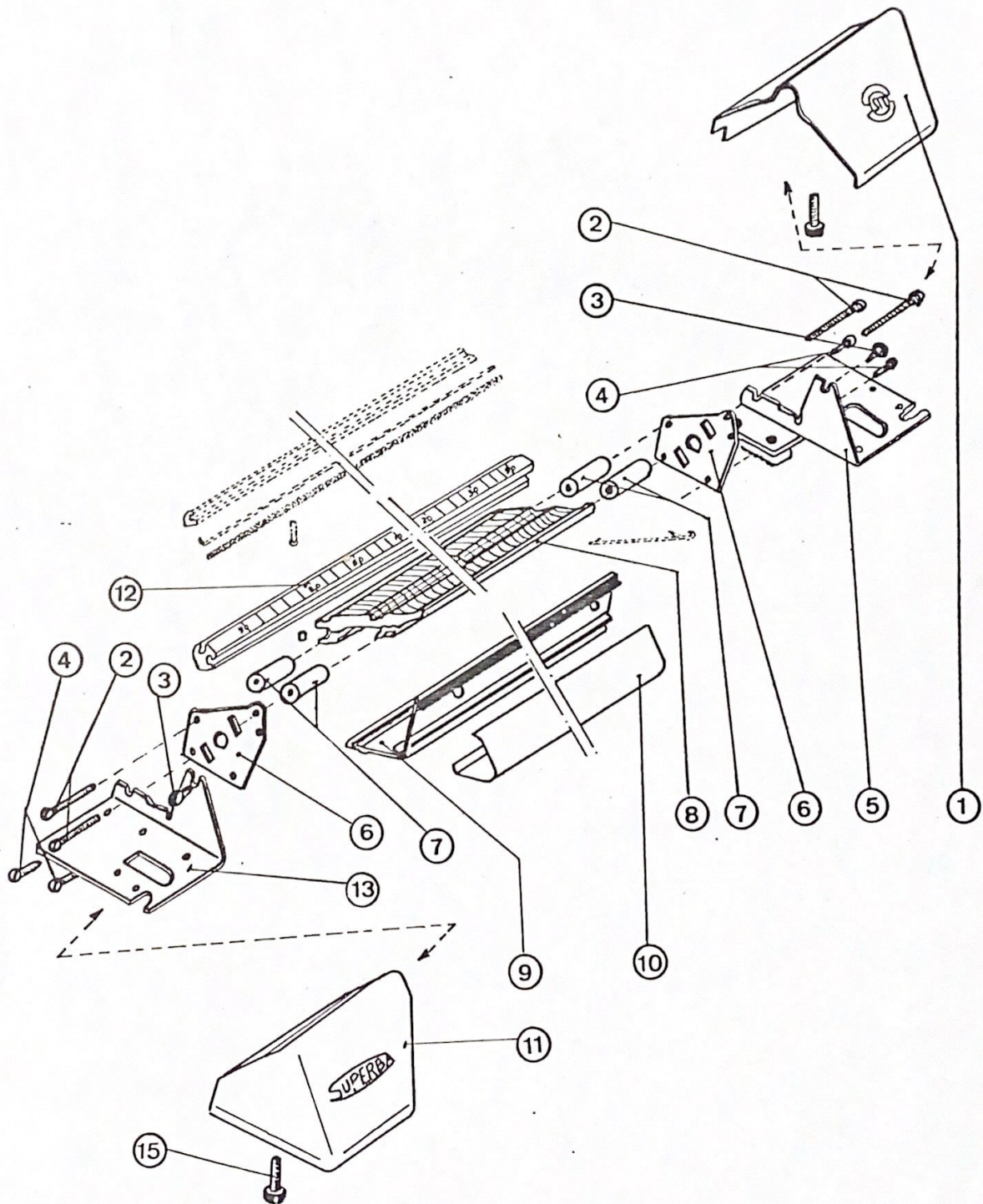
Item		Ref.	Description
1		9 029	Coupling catch mounting screw
2		8 260	Coupling catch
3		8 258	Coupling catch return spring
4		8 264	Front carriage needle selector wheel spring
9		8 204	<u>Front carriage needle selector wheel assy.</u>
10		8 298	Orientation spring of selector wheel



Rep.	Référence	Désignation
1	8 334	Front needle bed hinge screw
2	9 055	Space selector shaft retaining clip
3	9 004	Front needle bed hinge screw washer
4	9 084	Racking index pin nut
5	8 332	Front needle bed space selector hinge plate
6	8 926	Double needle bed right end bracket
7	9 531	Front needle bed hinge screw washer
8	9 003	Front needle bed hinge screw nut
9	8 342	Table protector
62	8 395	Racking lever catch
11	8 313	Front needle bed support - right with insert
12	8 328	Space selector shaft
13	8 335	Front needle bed racking guide pin
63	9 032	Spring washer for racking lever hinge screw
15	9 031	Racking lever hinge screw nut
16	9 066	Racking lever hinge screw spring washer
17	4 348	Intermediary lever knob
64	8 397	Hinge screw of racking lever catch
19	8 323	Intermediary lever indexing retaining plate
20	8 349	Bearing ball \varnothing 5
21	4 321	Intermediary lever assy with knob (17)
22	8 312	Front needle bed support left with insert
23	8 543	Transfer lever latch
24	8 295	Transfer positioning lever
25	8 290	Racking index pin
26	9 006	Racking index pin washer 1,5 mm
27	8 333	Space selector cam
28	8 339	Double needle bed left end bracket
29	9 026	Front bed guide mounting screw
30	NG 2 337	Front bed guide - right
31	8 327	Front needle bed positioning gear
32	8 326	Front needle bed positioning gear shaft
33	NG 2 308	Lower front slide rail
34	9 506	Racking index pin bushing
35	9 507	Transfer positioning washer
36	9 002	Lower slide rail mounting screw
37	NG 2 300	Front needle bed
38	4 359	Front needle bed release lever knob
39	4 324	Front needle bed release lever with knob (38)
40	8 325	Front needle bed release lever spring
41	NG 2 336	Front bed guide - left
42	NG 2 338	Needle position scale
43	8 303	Needle retaining spring
44	NG 2 307	Top slide rail
45	8 304	Needle retaining wire
46	8 345	Top slide rail mounting screw
46	8 341	Top slide rail repairing screw
47	NG 2 344	Double bed right end cover + SIT Label
48	8 305	Latch needle
48	8 306	Nickel plated latch needle
49	8 302	Needle retaining spring anchoring disc
51	8 316	Racking lever hinge screw
53	8 331	Front needle bed space selector lever positioning pin
54	8 330	Front needle bed space selector lever positioning spring
55	4 329	Front needle bed space selector lever
56	NG 2 343	Double bed left end cover
57	9 083	Needle bed end cover fixing screw
58	8 346	SIT Label
59	4 394	Racking lever
60	8 398	Nut for racking lever catch hinge screw
61	8 396	Racking lever catch spring



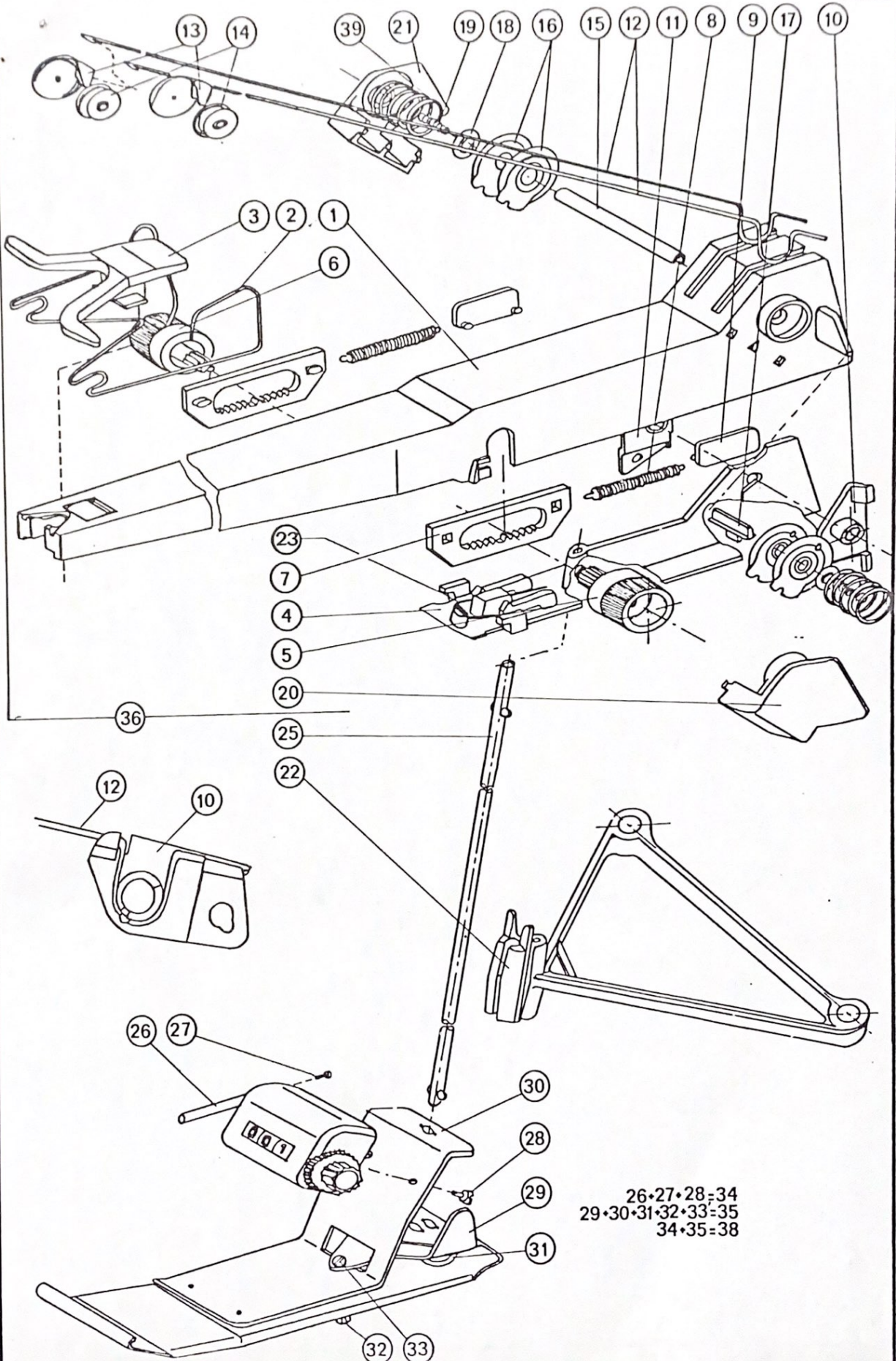
Item		Ref.	Description
1	NG	2 358	Single needle bed right end cover + SIT decal
2		9 020	Back needle bed end plate mounting screw
3		8 354	Back needle bed to end bracket locating screw
4		9 008	Back needle bed to end bracket fixing screws
5		8 927	Single needle bed right end bracket
6		8 353	Back needle bed end plate
7		8 352	Back needle bed end plate spacer
8	NG	2 301	Back needle bed
9		8 350	Back needle bed reinforcing plate
10		9 398	Back needle bed reinforcing plate cover
11	NG	2 357	Single needle bed left end cover
12	NG	2 299	Back lower slide rail
13		8 355	Single needle bed left end bracket
15		9 083	End cover fixing screw



1		8 870	Perforated belt
2		8 871	Belt tightener driven wheel
3		8 410	Shaft of belt tightener driven wheel
4		8 412	Belt tightener driven wheel bracket
5		8 413	Belt tightener driven wheel bracket spring
6		8 414	Base of bracket 8 412
7		9 055	Belt tightener driven wheel bracket retaining clip
8		8 421	Cursor guiding rail
9		8 416	Grounding strip
10		8 407	Nut for driving wheel bracket
11		9 047	Grounding strip fixing screw
12		8 921	Double insulator unit
13		8 402	Driving wheel shaft
14		8 872	Fixed driving wheel
15		8 923	Synchronization disc unit
16		9 002	Synchronization disc fixing screw
17		8 405	Contact brush
18		8 873	Fixed driving wheel bracket
19		9 021	Cursor guiding rail mounting washer
20		9 008	Cursor guiding rail mounting washer
21		8 422	Cursor + guide without cover
22		8 424	Cursor right coupling part
23		8 423	Cursor left coupling part
24		8 430	Cursor contact
25	N.G.	2 426	Cursor over
26		9 013	Cursor cover fixing screw
27		9 022	Cursor stop positioning stud
28		8 427	Cursor stop
29		8 428	Cursor stop plate
30	N.G.	2 429	Cursor stop button
31		9 851	Catcher complete
32		8 924	Catcher spring
33	N.G.	2 401	Back lower slide rail selection
34		9 031	Cursor guiding rail mounting nut
35		8 922	Single insulator (unit)
36		8 440	Drive shaft single bed
37		8 439	Drive shaft double bed
38		8 691	Amplification printed circuit
39		9 041	FS CM2 X 8 (3X)
40	N.G.	2 420	Cursor assembly (complete)
41		7 008	Electric cord UL 110 V
41		8 479	Electric cord 220 V
42		8 445	Mounting screw (2X)
43		8 418	Perforated belt felt
44		9 083	Stop block fixing screw
45		8 419	Selection box positioning
46		9 096	Saddle adjusting screw
48		9 059	Cursor stop button washer
49		4 659	Selection box + packing step 3
49		2 642	Selection box + packing step 2
49		2 644	Selection box + packing step 3 UL 110 V
50		8 882	Spring of coupling parts
51		9 546	Spring washer \varnothing 2 Type A (3X)

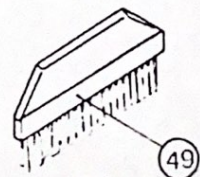
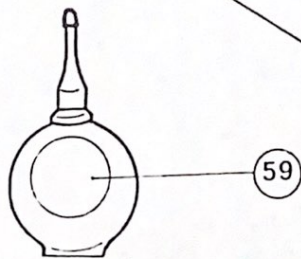
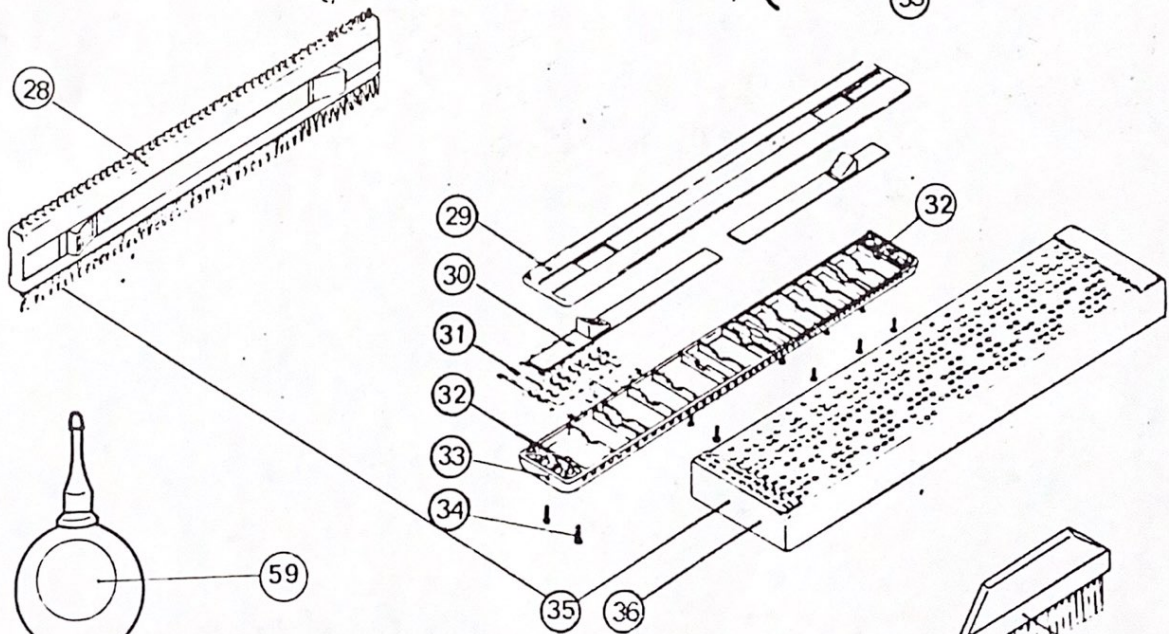
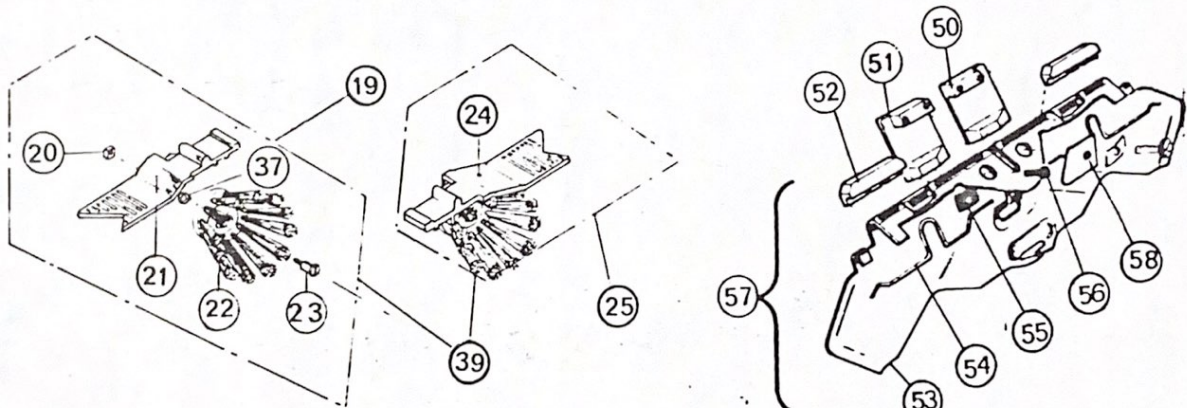
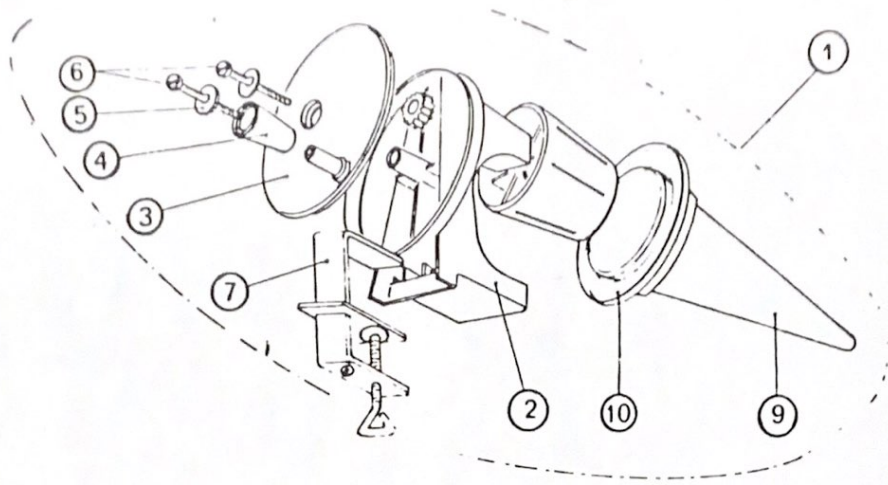
- TENSION UNIT AND STAND

Item	Qty	Reference	Description
1	1	2 101	Tension unit cover
2	1	7 103	Front yarn guide
3	1	7 104	Tension unit yarn retainer
4	1	7 102	Tension unit bracket
5	1	7 106	Setting knob-right
6	1	7 105	Setting knob-left
7	2	7 107	Rack
8	2	7 108	Tension spring
9	2	7 109	Connecting part
10	1	7 111	Hub of right tension unit
11	1	7 110	Hub of left tension unit
12	2	7 112	Tension unit
13	2	7 113	Pulley guide
14	2	7 114	Pulley
15	1	7 115	Tension unit shaft
16	4	7 116	Braking disc
17	2	7 117	Brake pusher
18	2	7 118	Special washer
19	2	7 119	Brake spring
20	1	2 121	Assembling head - right
21	1	2 120	Assembling head - left
22	1	7 122	Separator
23		7 822	Tension unit bracket spring
24			
25	1	8 860	Tension rod
26	1	8 387	Counter lever
27	1	9 035	Counter lever fixing screw
28	2	9 001	Counter fixing screw
29	1	8 366	Tightening lever
30	1	2 861	Tension rod plate
31	1	8 370	Locking spring
32	1	8 369	Special nut for tension rod plate
33	1	8 368	Special screw for tension rod plate
34	1	2 367	Counter complete + fixing screw
35	1	2 863	Tension rod plate complete
36	1	2 100	Tension unit
37	1	2 124	Tension unit + separator + tension rod
38	1	2 864	Tension rod plate complete + counter
39	2	7 220	Pressing spring



26•27•28=34
 29•30•31•32•33=35
 34•35=38

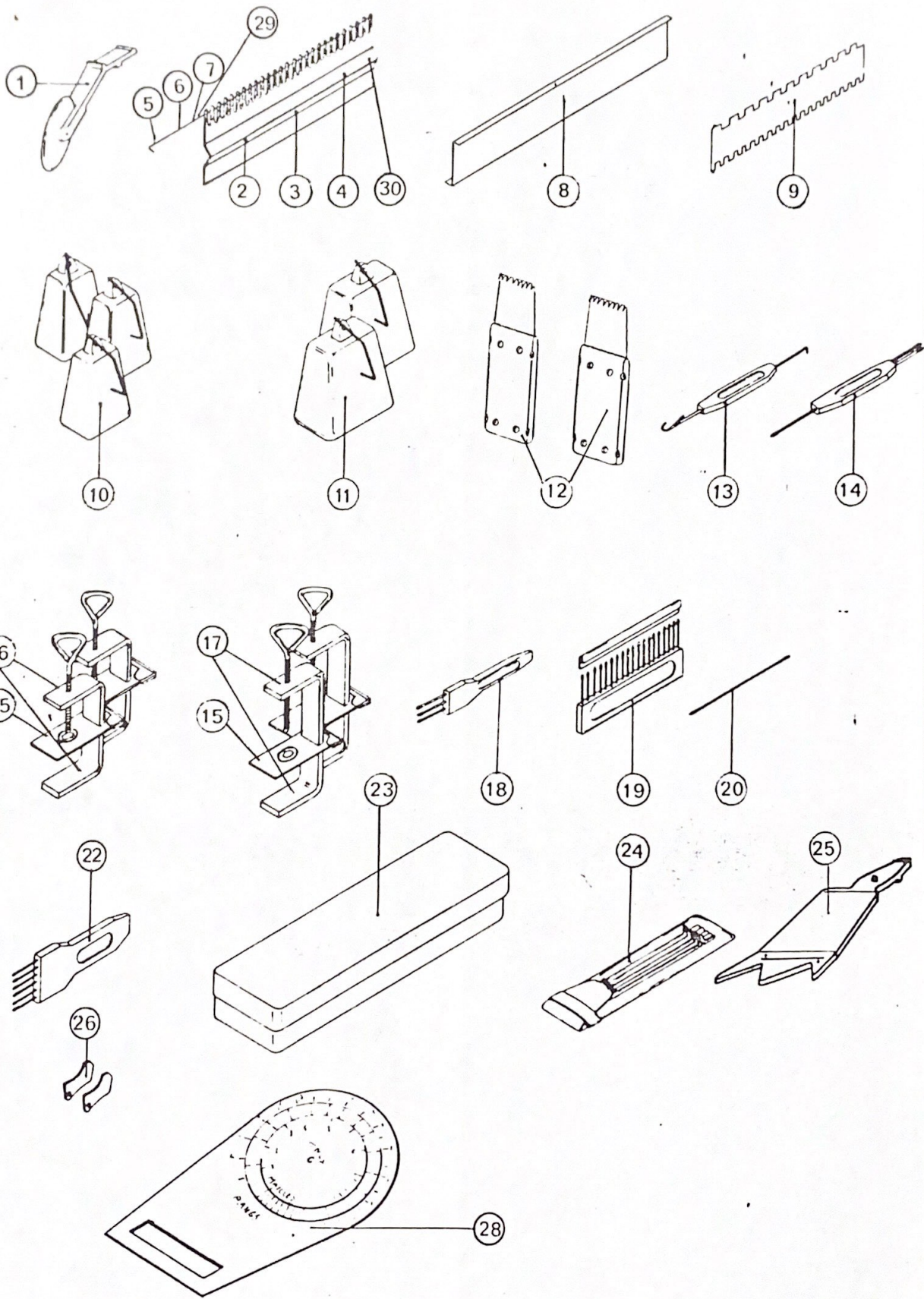
Item		Reference	Description
1	N.G.	2 140	Yarn winder complete + 2 cones + 2 collars + clamp
2	N.G.	2 142	Yarn winder + mandrel + driving pinion
3	N.G.	9 400	Yarn winder wheel
4	N.G.	2 145	Handle
5		9 502	Handle and wheel washer
6		9 501	Handle and wheel fixing screw
7		8 020	Clamp complete
9		8 024	Cone
10		8 025	Collar
19		4 092	*Weaving effect brush support left hand complete
20		9 545	*Weaving effect brush mounting nut
21		4 098	*Weaving effect brush and support left hand
22		8 100	*Weaving effect brush
23		9 076	*Weaving effect brush mounting screw
24		4 099	*Weaving effect brush and support -right hand
25		4 093	*Weaving effect brush support -right hand complete
28	N.G.	2 037	<u>Universal needle selector</u>
29	N.G.	2 041	*Universal needle selector upper cover
30	N.G.	2 043	Universal needle selector lock
31		8 042	Universal needle selector tooth
32		8 044	Universal needle selector lock spring
33	N.G.	2 040	*Universal needle selector lower cover
34		9 041	Universal needle selector fixing screws (x8)
35	N.G.	2 039	<u>Universal needle selector complete with grid</u>
36	N.G.	2 038	<u>Universal needle selector grid</u>
37		9 059	*Washer for weaving effect brushes shaft (x2)
39		4 094	<u>Weaving effect brush set</u>
49		8 074	Cleaning brush
50		8 177	Needle lift left
51		8 178	Needle lift right
52		8 179	Second yarn guide unit locking (x2)
53		8 180	Second yarn guide unit plate
54		8 181	Second yarn guide unit fixing spring (x2)
55		8 182	Needle lift return spring
56		9 013	Return spring fixing screw (x2)
57		8 185	<u>Second yarn guide unit</u>
58		8 186	Second yarn guide unit baffle
59		4 096	Oil dispenser



ACCESSORIES

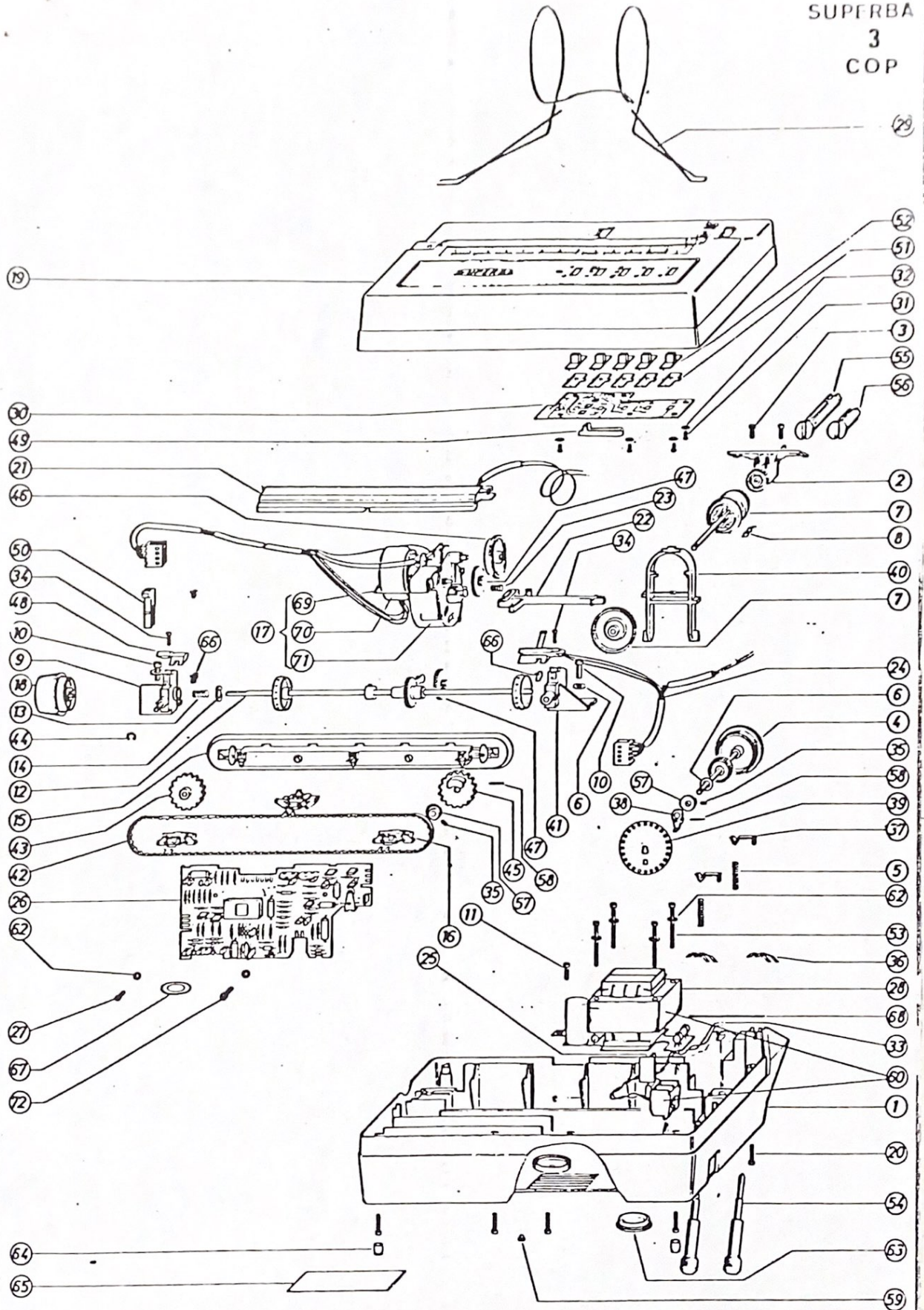
SUPERBA

Item		Ref.	Description
1	NG	9 364	Heavy wool stitch depressing wheel
2	NG	2 003	Cast on comb complet short
3	NG	2 089	Cast on comb complet medium
4	NG	2 007	Cast on comb complet long
5		8 005	Cast on comb wire short
6		8 091	Cast on comb wire medium
7		8 009	Cast on comb wire long
8	NG	2 010	Needle positioning rule
9		8 011	Simple and double needle selector
10	NG	2 012	Medium weight
11	NG	2 013	Heavy weight
12	NG	7 053	Moulded edge claws
13		4 016	Latch needle tool with hock
14		4 017	Double and single eyelet transfer tool
15		8 019	Clamping plate
16		8 020	Table clamp complete
17		8 021	Large clamp complete
18		4 022	Three eyelet transfer tool
19		4 026	20 eyelet transfer tool with protector
20		8 027	Double eyelet transfer needle
21			
22		4 045	6 eyelet transfer tool
23		8 075	Accessory box empty
24		8 076	Spare needle kit of 5 needles
24		8 070	Spare needle kit of 3 needles
25		4 087	Jacquard claw
26	NG	2 069	Replacement flow comb
27			
28		8 046	Calculator disc TRICAL
29		8 077	Wire for 100 stitches cast on comb
30	NG	2 078	100 stitches cast on comb with wire

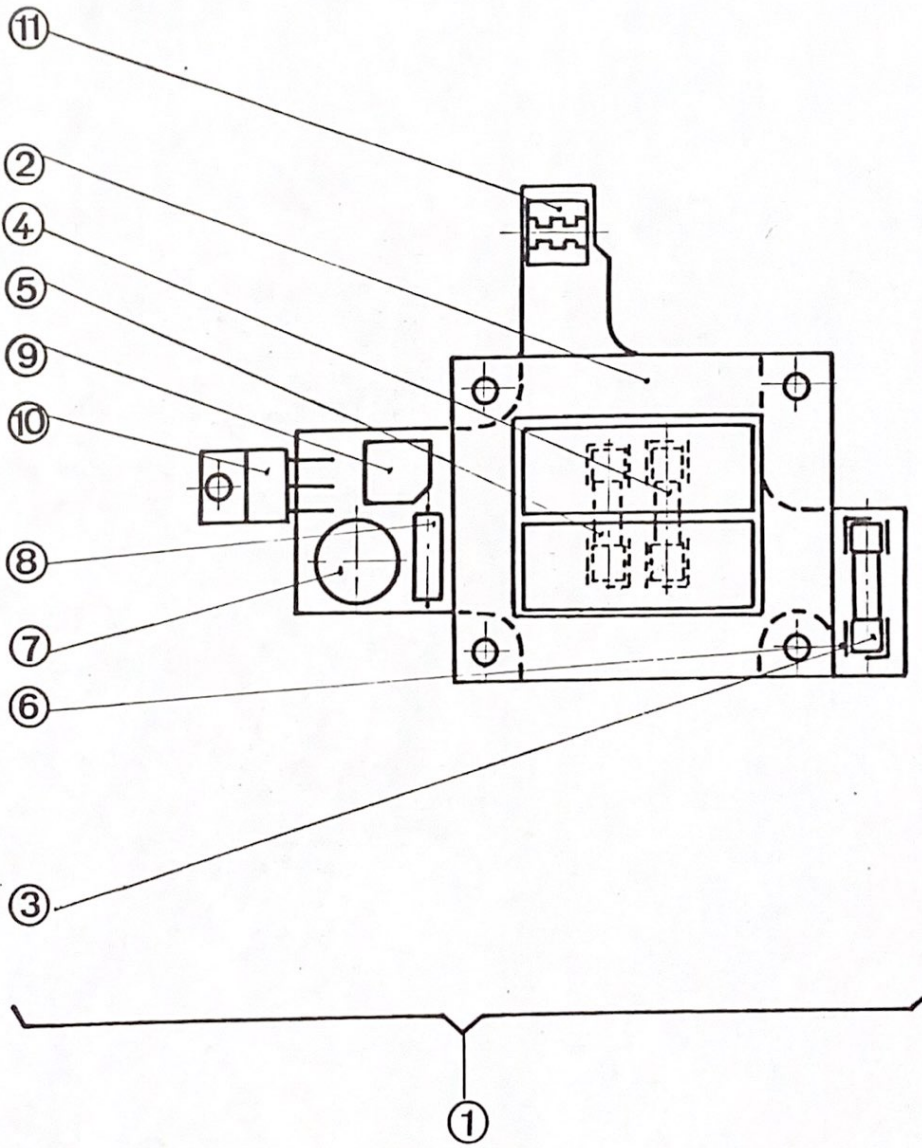


Item	Reference	Designation
1	4 566	Bottom cover assy. + radiator
2	8 567	Drive shaft bracket assy.
3	9 013	Screw CM 3 X 9 (2x)
4	8 563	Proportioning gear assy.
5	8 650	Spring
6	9 512	Washer M 4 U
7	8 579	Drive shaft clutch assy.
8	8 580	Drive shaft clutch spring
9	8 582	Bracket assy. left
10	9 083	Screw CM 4 X 12 (2x)
11	9 519	Taptite screw P.TA (1x)
12	8 584	Sprocket drive assy
13	8 442	Spring
14	9 517	Washer Z 5 U
15	7 069	Design card guide assy. COP
16	8 587	Photosensor with cover
17	8 556	Motor speed reducer assy
18	4 596	Design card roller knob assy
19	4 597	Top cover assy
20	9 040	Screw CM 3 X 16 (7x)
21	8 663	Design card light assy
22	8 658	Clutch connecting link
23	8 255	Clutch connecting link spring
24	8 593	Card command photosensor
25	8 554	Wire holding plate
26	7 044	Main printed circuit board for electron. adv. COP
27	9 043	Screw CM 3 X 12 (1x)
28	8 690	Power input printed circuit board 3 fuses 220 V.
28	7 046	Power input printed circuit board 3 fuses 110 V.
29	8 668	Design card guide
30	7 065	Switch board printed circuit COP
31	9 514	Screw CM 2 X 5 (7x)
32	9 516	Washer L 2 U (7x)
33	8 596	Wiring harness with connector 220 V
33	7 047	Wiring harness with connector 110 V
34	9 041	Screw CM 2 X 8 (2x)
35	9 547	Screw HC M 4 X 5 (2x)
36	8 565	Selection box exit contact
37	8 564	Needle selector disc shaft support
38	8 562	Driver gear
39	8 561	Selector disc
40	8 581	Clutch fork
41	8 583	Right side bracket
42	8 569	Photosensor belt
43	8 568	Belt sprocket left
44	9 009	Retaining clip T 7133 4B
45	8 588	Belt sprocket right
46	4 590	Proportioning thumb wheel
47	8 591	Intermediary pinion
48	8 595	Card limit guide left
49	8 599	Centring spring
50	8 603	Direction indicator
51	8 547	Switch assy
52	4 606	Switch button

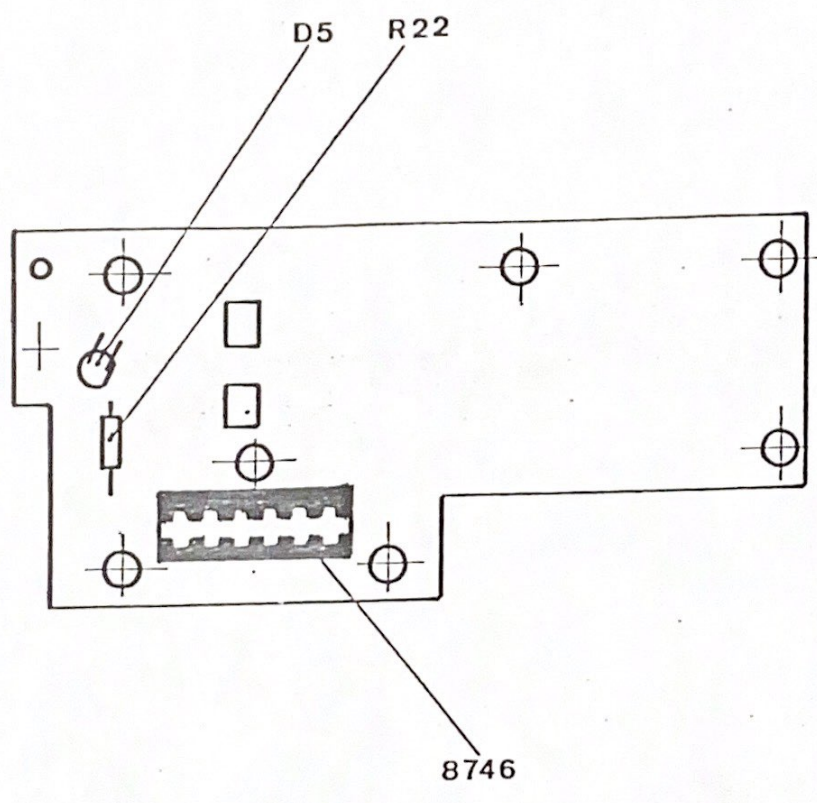
Item	Reference	Designation
53	8 515	Screw CM3 X 35 (4x)
54	8 445	Fixing screw (2x)
55	8 439	Drive shaft DB
56	8 440	Drive shaft SB
57	8 610	Hub
58	8 611	Adjustement screw
59	7 040	Peg
60	7 049	Complete power (110 V)
60	8 684	Complete power (220 V)
61		
62	9 063	Spring washer (6x)
63	8 612	Fuse mask
64	8 480	Guarantee plug (2x)
65	7 039	Identification plate (220 V)
65	7 048	Identification plate (110 V)
66	8 670	Cleaning brush
67	7 056	Transducer
68	8 553	Insulating plate
69	8 552	Spring
70	8 982	Synchronous motor assy
71	8 978	Reducer assy for synchronous motor
72	9 532	Screw for it. 26
	2 082	Selection box assy. 110 V COP
	2 081	Selection box assy. 220 V COP
	8 655	Black felt
	9 424	First set of programme-cards N° 1 to 11 complete
	2 085	Complete top cover assy COP (it. 19,30,49,51,52)
	4 684	Dashboard



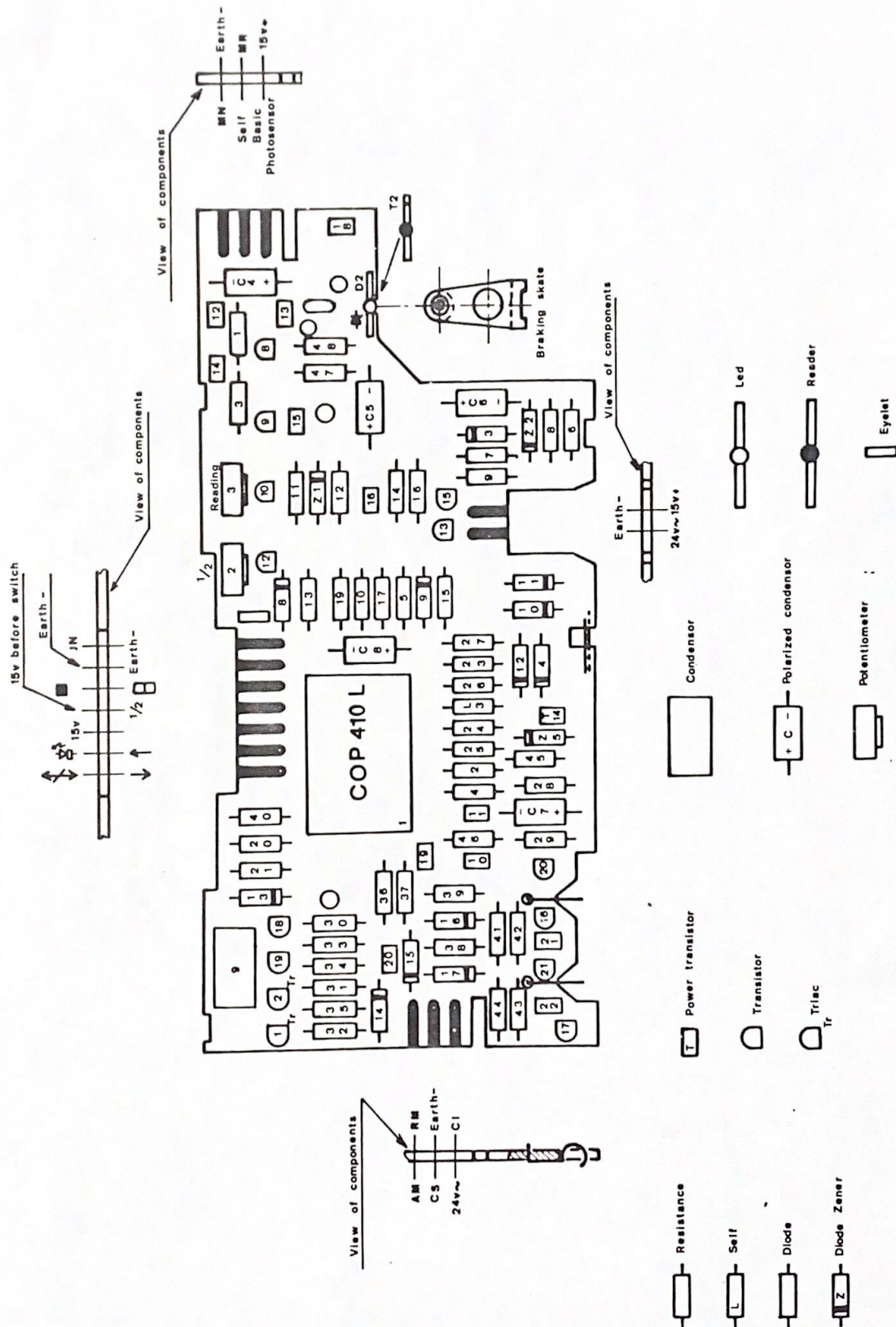
Item		Reference	Designation
1*		8 690	Assembly 220 V
2		8 808	Transformer with double insulation
3		7 038	Fuse 0, 25 A
4			
5		8 760	Fuse 1 A
6		8 458	Fuse holder
7		8 461	Condensator 1 000 μ F 30 V
8		8 719	Condensator 10 μ F 20 V
9		8 432	Rectifire
10		8 716	Integrated circuit regulator MC 7815
11		8 748	Connector four contacts
1*		7 046	Assembly UL 110 V



	Reference	Designation
D 5	7 065	Assembly with green L.E.D.
	7 012	L.E.D. - green
R 22	8 694	Resistance 680 Ω 1/2 W 5 %
	8 746	Connector 14 contacts

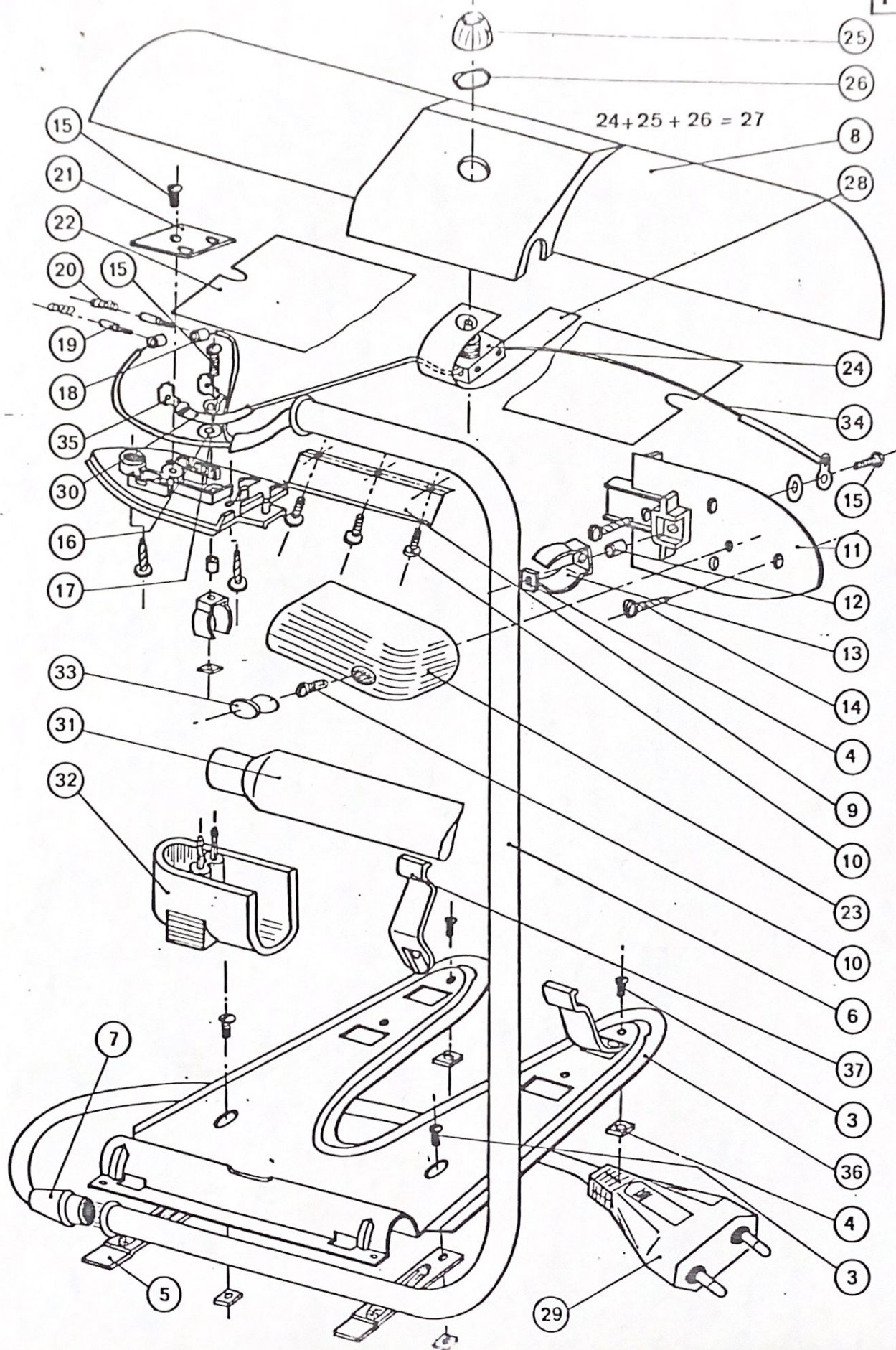


Item	Reference	Designation			
R 1	884 3	Resistance	6,8	k Ω	1/4 W
R 2	846 7	Resistance	10	k Ω	1/4 W
R 3	884 3	Resistance	6,8	k Ω	1/4 W
R 4	846 7	Resistance	10	k Ω	1/4 W
R 5	846 8	Resistance	2,2	k Ω	1/4 W
R 6	872 5	Resistance	2,2	Ω	1/2 W
R 7	706 2	Resistance	330	Ω	1/4 W
R 8	884 2	Resistance	1	k Ω	1/4 W
R 9	846 8	Resistance	2,2	k Ω	1/4 W
R10	846 8	Resistance	2,2	k Ω	1/4 W
R11	884 2	Resistance	1	k Ω	1/4 W
R12	846 7	Resistance	10	k Ω	1/4 W
R13	869 4	Resistance	680	Ω	1/4 W
R14	846 8	Resistance	2,2	k Ω	1/4 W
R15	846 7	Resistance	10	k Ω	1/4 W
R16	846 6	Resistance	100	k Ω	1/4 W
R17	846 7	Resistance	10	k Ω	1/4 W
R18	846 7	Resistance	10	k Ω	1/4 W
R19	846 7	Resistance	10	k Ω	1/4 W
R20	846 7	Resistance	10	k Ω	1/4 W
R21	846 7	Resistance	10	k Ω	1/4 W
R22					
R23	846 7	Resistance	10	k Ω	1/4 W
R24	846 7	Resistance	10	k Ω	1/4 W
R25	846 7	Resistance	10	k Ω	1/4 W
R26	846 7	Resistance	10	k Ω	1/4 W
R27	846 7	Resistance	10	k Ω	1/4 W
R28	846 6	Resistance	100	k Ω	1/4 W
R29	707 3	Resistance	47	k Ω	1/4 W
R30	846 7	Resistance	10	k Ω	1/4 W
R31	884 2	Resistance	1	k Ω	1/4 W
R32	706 0	Resistance	56	Ω	1/4 W
R33	846 7	Resistance	10	k Ω	1/4 W
R34	884 2	Resistance	1	k Ω	1/4 W
R35	706 0	Resistance	56	Ω	1/4 W
R36	884 2	Resistance	1	k Ω	1/4 W
R37	846 7	Resistance	10	k Ω	1/4 W
R38	846 7	Resistance	10	k Ω	1/4 W
R39	846 6	Resistance	100	k Ω	1/4 W
R40	846 7	Resistance	10	k Ω	1/4 W
R41	846 6	Resistance	100	k Ω	1/4 W
R42	846 8	Resistance	2,2	k Ω	1/4 W
R43	846 8	Resistance	2,2	k Ω	1/4 W
R44	846 6	Resistance	100	k Ω	1/4 W
R45	706 1	Resistance	120	Ω	1 W
R46	705 9	Resistance	39	k Ω	1/4 W
R47	884 2	Resistance	1	k Ω	1/4 W
R48	884 2	Resistance	1	k Ω	1/4 W
G	705 6	Transducer	G		
	704 4	Main printed board			
	706 4	Bracket for printed circuit	24 plugs		
	706 6	Contacts COP for tests			
	707 2	Contacts for transducer			
	706 3	Integrated circuit COP	410 L		
L 3	708 7	Self	470 μ H		
	859 4	Bracking skate			



Item	Reference	Designation
P 2	724 2	Potentiometer 6,8 k Ω
P 3	722 1	Potentiometer 220 k Ω
Tr1	898 4	Triac TLC 221 T
Tr2	898 4	Triac TLC 221 T
T 2	707 4	Phototransistor TIL 621
T 8	869 3	Transistor BC 238 C
T 9	869 3	Transistor BC 238 C
T10	869 3	Transistor BC 238 C
T12	869 3	Transistor BC 238 C
T13	869 3	Transistor BC 238 C
T14	894 6	Transistor BD 677
T15	869 3	Transistor BC 238 C
T16	869 3	Transistor BC 238 C
T17	869 3	Transistor BC 238 C
T18	869 3	Transistor BC 238 C
T19	869 3	Transistor BC 238 C
T20	869 3	Transistor BC 238 C
T21	869 3	Transistor BC 238 C
Z 1	894 2	Diode Zener 4,7 V
Z 2	888 4	Diode Zener 51 V 1 W
Z 5	705 7	Diode Zener 5,6 V 1 W
D 2	877 4	LED CQY 41
D 3	849 3	Diode IN 4148
D 4	877 9	Diode BA 157
D 8	849 3	Diode IN 4148
D 9	849 3	Diode IN 4148
D10	849 3	Diode IN 4148
D11	849 3	Diode IN 4148
D12	849 3	Diode IN 4148
D13	849 3	Diode IN 4148
D14	849 3	Diode IN 4148
D15	849 3	Diode IN 4148
D16	849 3	Diode IN 4148
D17	849 3	Diode IN 4148
C 4	893 8	Chemical condensor 1 μ F 20 V mini
C 5	893 8	Chemical condensor 1 μ F 20 V mini
C 6	871 9	Non polarized condensor 10 μ F 20 V mini
C 7	707 5	Polarized condensor 10 μ F 20 V mini
C 8	707 5	Polarized condensor 10 μ F 20 V mini
C 9	897 5	Non polarized condensor 9,5 μ F
C10	705 8	Condensor 200 pF 2,5 %
C11	703 6	Plastic condensor 0,22 μ F 20 V mini
C12	893 9	Plastic condensor 0,1 μ F 20 V mini
C13	893 9	Plastic condensor 0,1 μ F 20 V mini
C14	893 9	Plastic condensor 0,1 μ F 20 V mini
C15	893 9	Plastic condensor 0,1 μ F 20 V mini
C16	893 9	Plastic condensor 0,1 μ F 20 V mini
C18	846 2	Plastic condensor 4,7 nF
C19	893 9	Plastic condensor 0,1 μ F 20 V mini
C20	893 9	Plastic condensor 0,1 μ F 20 V mini
C21	877 8	Ceramic condensor 10 nF 20 V mini
C22	877 8	Ceramic condensor 10 nF 20 V mini

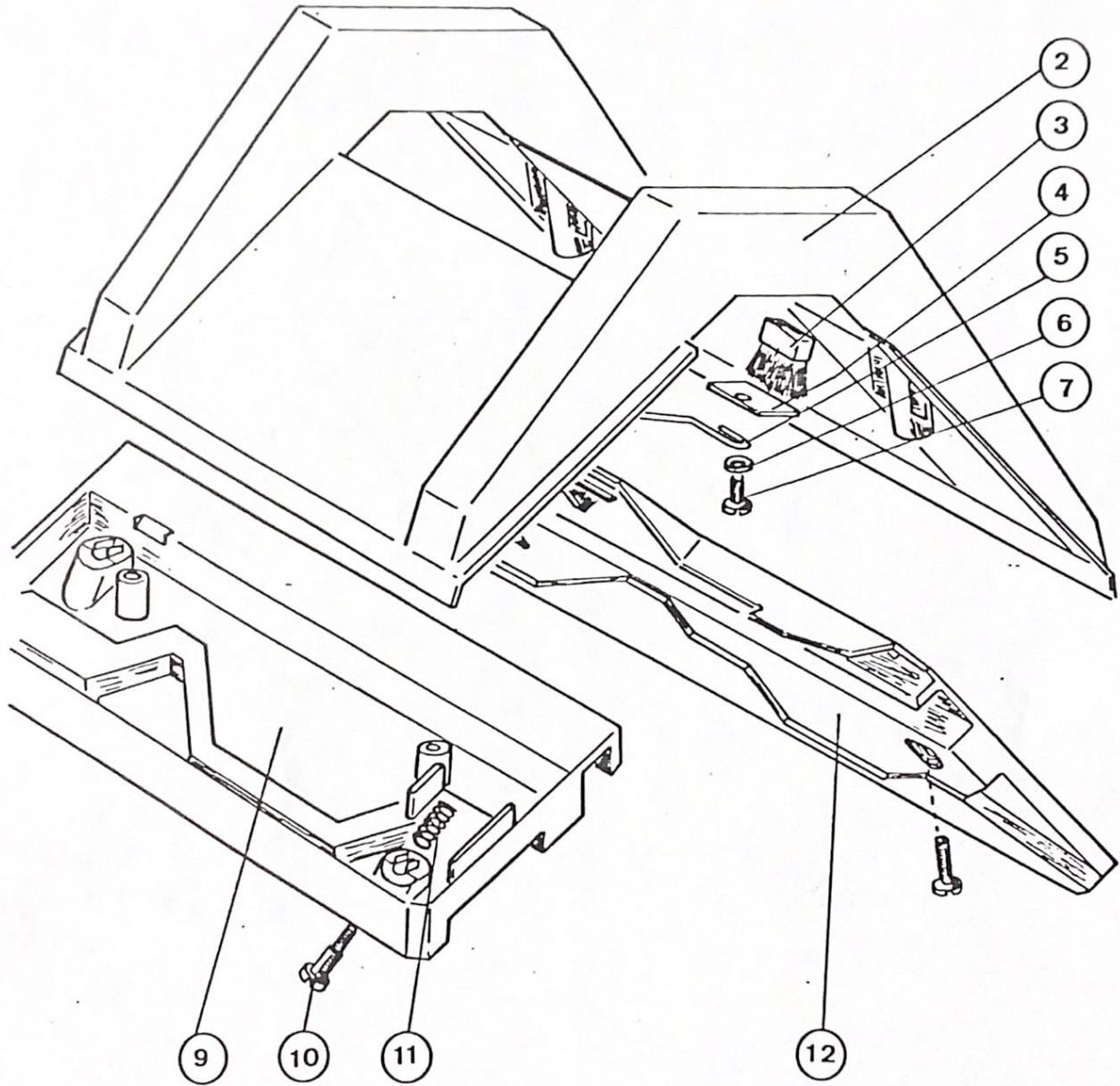
Item		Reference	Description
1	N.G.	2 102	Lamp complete 110 volts + packing
1	N.G.	2 103	Lamp complete 220 volts + packing
2	N.G.	2 104	Lamp complete without tube
3		9 001	Fixing screw for lamp stand spring
4		9 545	Nut for lamp stand spring
5		8 109	Clamping plate
6		8 110	Lamp arm
7		8 111	Cable guide
8		8 106	Lamp casing with inserts
9		8 112	Friction spring
10		9 043	Fixing screw for friction spring
11		8 113	Clip holder plate
12		8 119	Contact brace
13		8 064	Clip socket
14		9 093	Self tapping screw T 4
15		9 013	Fixing screw clip socket + contact brace
16		9 059	Washer M3
17		8 114	Fixed contact sheet
18		8 120	Movable round contact
19		8 121	Screw for movable round contact
20		7 025	Return spring of round contact
21		8 123	Retaining plate of round contacts
22		8 124	Lamp reflector
23		8 115	Fixed left insulating mask
24		8 116	Switch
25		8 117	Plastic cover
26		8 118	Metal nut
27		8 126	Switch assembly
28		8 127	Insulating cardboard
29		8 128	Cable and plug
30		8 129	Flexible wire
31		8 066	Tube ϕ 21 x 310 40 W 220 V
31		8 067	Tube ϕ 21 x 310 40 W 110 V
32		8 131	Movable right insulating mask assembly
33		8 480	Guarantee capsule
34		8 105	Transition wire + thimble
35		8 132	Transition wire + fixed contact sheet
36	N.G.	2 107	Lamp stand
37		8 108	Lamp stand spring



LACE AND TRANSFER CARRIAGE

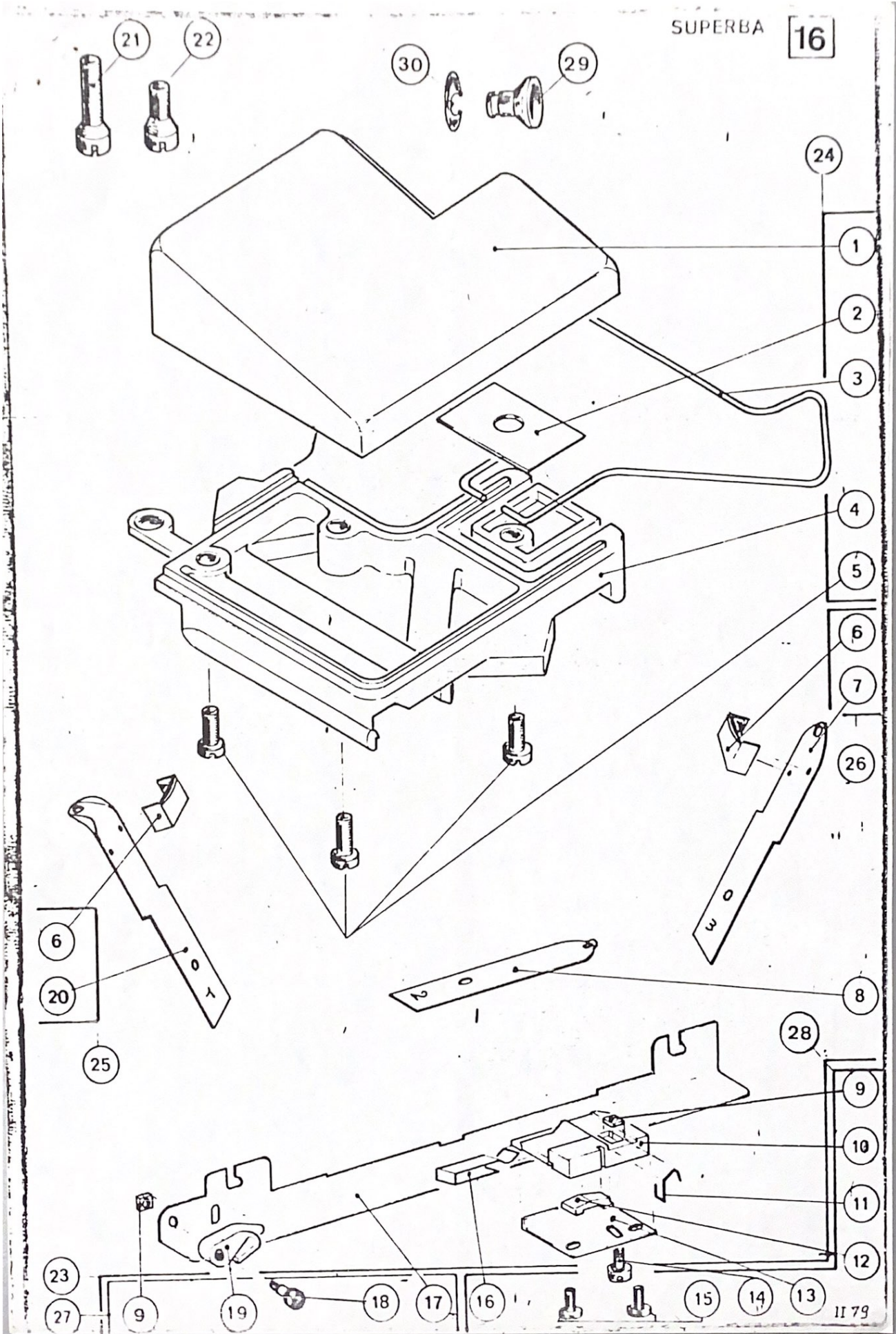
SUFEREA

Item		Ref.	Description
1			
2		2 190	Transfer carriage cover (1x)
3		8 192	Transfer carriage brush (1x)
4		8 194	Brush retaining plate (1x)
5		8 191	Stitch opening needle (1x)
6		9 512	Washer (1x)
7		9 083	Fixing screw (3x)
9		8 189	Receiving plate (1x)
10		9 025	Machine made screw (2x)
11		8 193	Spring (2x)
12		8 188	Giving plate (1x)
13		2 196	<u>Lace and transfer carriage assy. with packing, instruction and pattern book</u>
14		2 187	Lace and transfer carriage assy

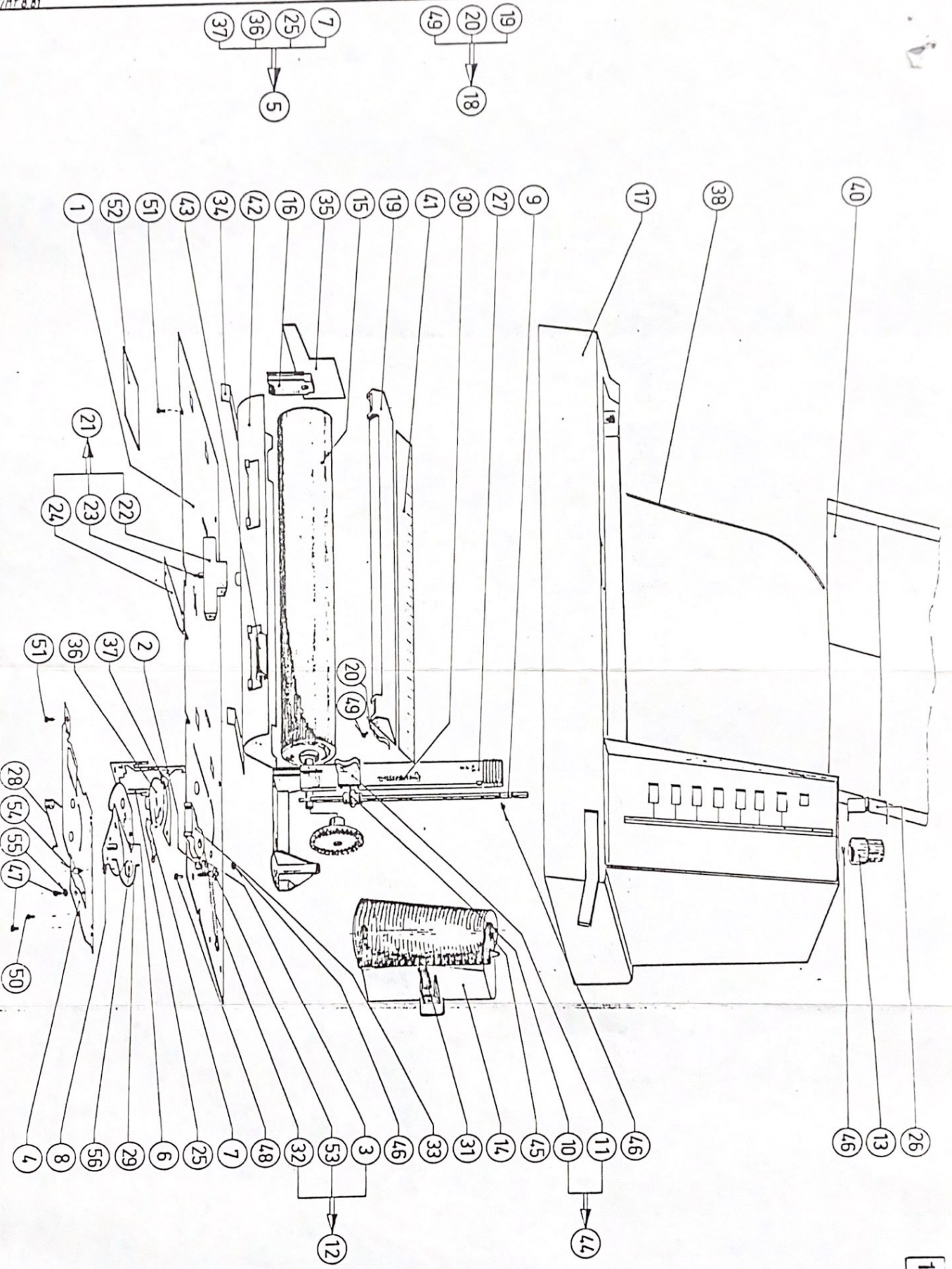


14

Item		Ref.	Description
1	NG	2 139	P.T.V. device assy + packing + instruction + cover SUPERBA
2	NG	2 138 04 *	Punch pile carriage cover assy with inserts
3		8 138 02 *	Fixing plate
4		8 101	Scraper
5		8 138 06 *	Punch pile carriage cam assy + Inserts
6		9 013	Fixing screw CB M3 X9
7		8 015	Yarn guard
8		8 018 01 *	Reversed plaiting knitting yarn guide
9		8 028	Plaiting knitting yarn guide
10		9 545	Nut Q M3 X 1,8
11		8 136 01 *	Yarn guide carrier
12		8 136 03 *	Yarn guide hook
13		8 136 04 *	Braking skate
14		8 136 02 *	Inferior square
15		8 006	Yarn guides positioning screw
16		9 048	Fixing screw CB M3 X 7
17		8 122	Maintaining spring
18		8 137 01 *	Guiding square
19		9 090	Shouldered screw
20		8 143	Locking lever
21		8 073 01 *	Weft knitting yarn-guide
22		8 002	Punch pile carriage anchoring screw (floating block)
23		9 508	Punch pile carriage anchoring screw (fixed block)
24		8 135	Yarn guide carrier + guiding square assy
25	NG	2 138	Punch pile carriage
26		8 073	Weft knitting yarn-guide assy
27		8 018	Reversed plaiting knitting yarn-guide assy
28		8 137	Guiding square assy
29		8 136	Yarn guide carrier assy
30		8 175	Mounting stud
		9 060	Mounting stud spring clip



Item		Reference	Designation
1	NG	2 540	Pattern driver assy. + packing + instructions for use
2		8 500	Riveting assembly on base plate
3		8 500 03 *	Roller
4		8 501	Operating lever return handle
5		8 503	Lower bent plate
6		7 071	Ratchet-wheel + braces + stop assembly
7		8 503 02 *	Cam
8		7 071 03 *	Ratchet - wheel retaining brace
9		8 503 04 *	Riveting assembly of the operating-lever
10		8 505	Sliding gear shaft
11		8 505 01 *	Sliding gear pinion
12		4 505 02 *	Row scale cursor
13		7 009	Operating-lever return handle assy
14		4 506	Positioning button assembly
15		8 507	Step cone assembly
16		8 508	Drum assembly
17	NG	8 509	Drum support left.
18	NG	2 510	Cover assembly
19	NG	2 511	Stitch scale holder assembly
20		2 511 01 *	Stitch scale holder
21		8 511 02 *	Stitch scale clip
22	NG	2 512	Pattern disengagement assembly
23	NG	2 512 01 *	Pattern disengagement lever
24		8 512 02 *	Pattern disengagement lever finger
25		8 512 03 *	Pattern disengagement plate
26		8 516 *	Retaining brace stop
27		8 517	Graduated scale positioning spring
28		4 518	Graduated scale of rows
29		8 519	Brace spring
30		8 520	Retaining brace spring
31		8 521	Brace stop spring
32		8 522	Operating lever spring
33		8 523	Operating lever return spring
34		8 524	Operating lever
35		8 525	Stitch scale holder return spring
36		8 526	Drum maintaining spring
37		7 071 01 *	Ratchet - wheel
38		7 071 02 *	Brace
39		8 529	Pattern holder
40		8 531	First set of patterns
41		8 532	Stitch scale set
42		8 533	Pattern guide
43		8 534	Pattern guide roller (4X)
44		8 504	Row selector assembly
45		9 504	Retaining clip (self locking type 7115) (2X)
46		9 009	Retaining clip E 7133 - 4B (3X)
47		9 001	Screw CM3x4 (2X)
48		9 023	Screw CL M4x8 (1X)
49		9 041	Screw CB M2x8 (2X)
50		9 013	Screw CM3x9 (1X)
51		9 048	Screw CM3x7 (6X)
52		8 538	Identification plate
53		9 525 *	Retaining clip E 7115-3B (1X)
54		7 003	Riveting assembly of operating place shaft
55		9 063	Washer Ø 3,1 type A (1X)
56		7 024	Distance piece washer
		9 173	Second set of patterns + tube
		8 546	Set of 5 blank sheets + tube
		9 310	Cardboard guide for sample



- 26
- 13
- 46
- 40
- 38
- 17

- 19
- 20
- 49
- 18

- 7
- 25
- 36
- 37
- 5

- 46
- 11
- 10
- 45
- 14
- 31
- 33
- 46
- 3
- 53
- 32
- 48
- 7
- 25
- 6
- 29
- 56
- 8
- 4
- 12
- 20
- 49
- 9
- 27
- 30
- 41
- 19
- 15
- 35
- 16
- 42
- 34
- 43
- 51
- 52
- 1
- 21
- 22
- 23
- 24
- 2
- 37
- 36
- 51
- 28
- 54
- 55
- 47
- 50

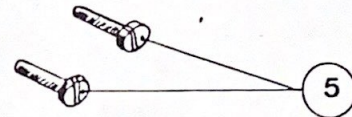
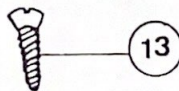
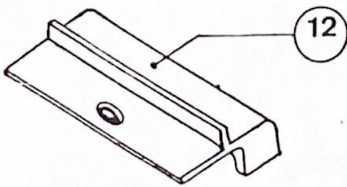
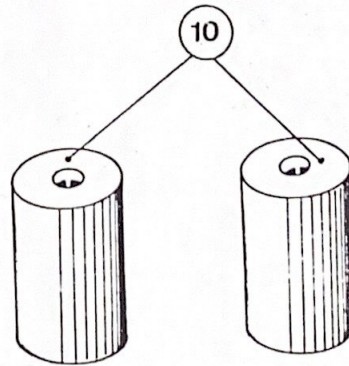
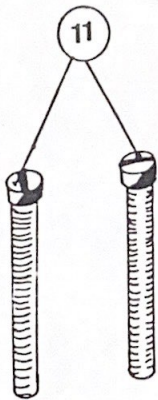
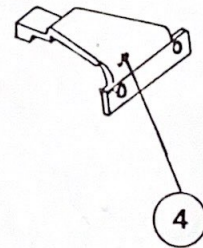
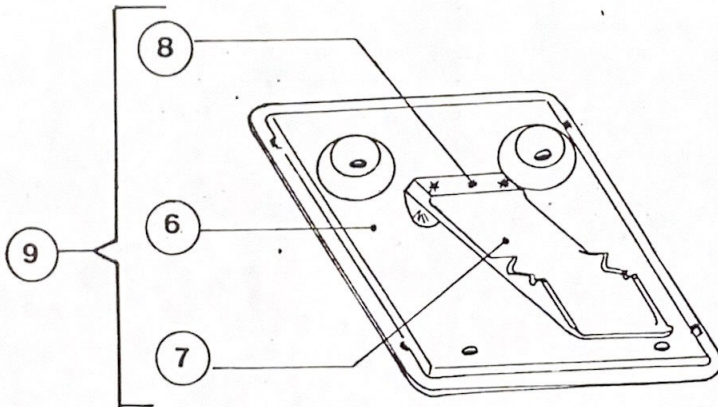
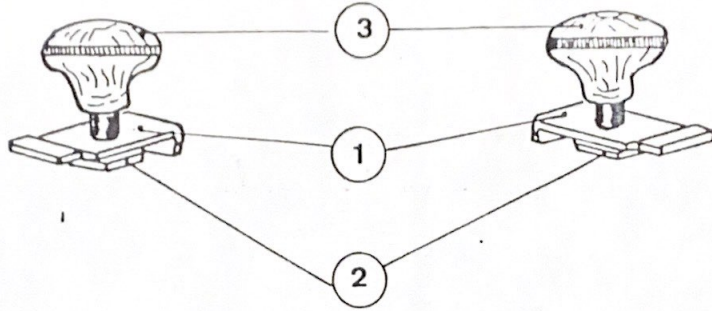
17a

FIXING ACCESSORIES

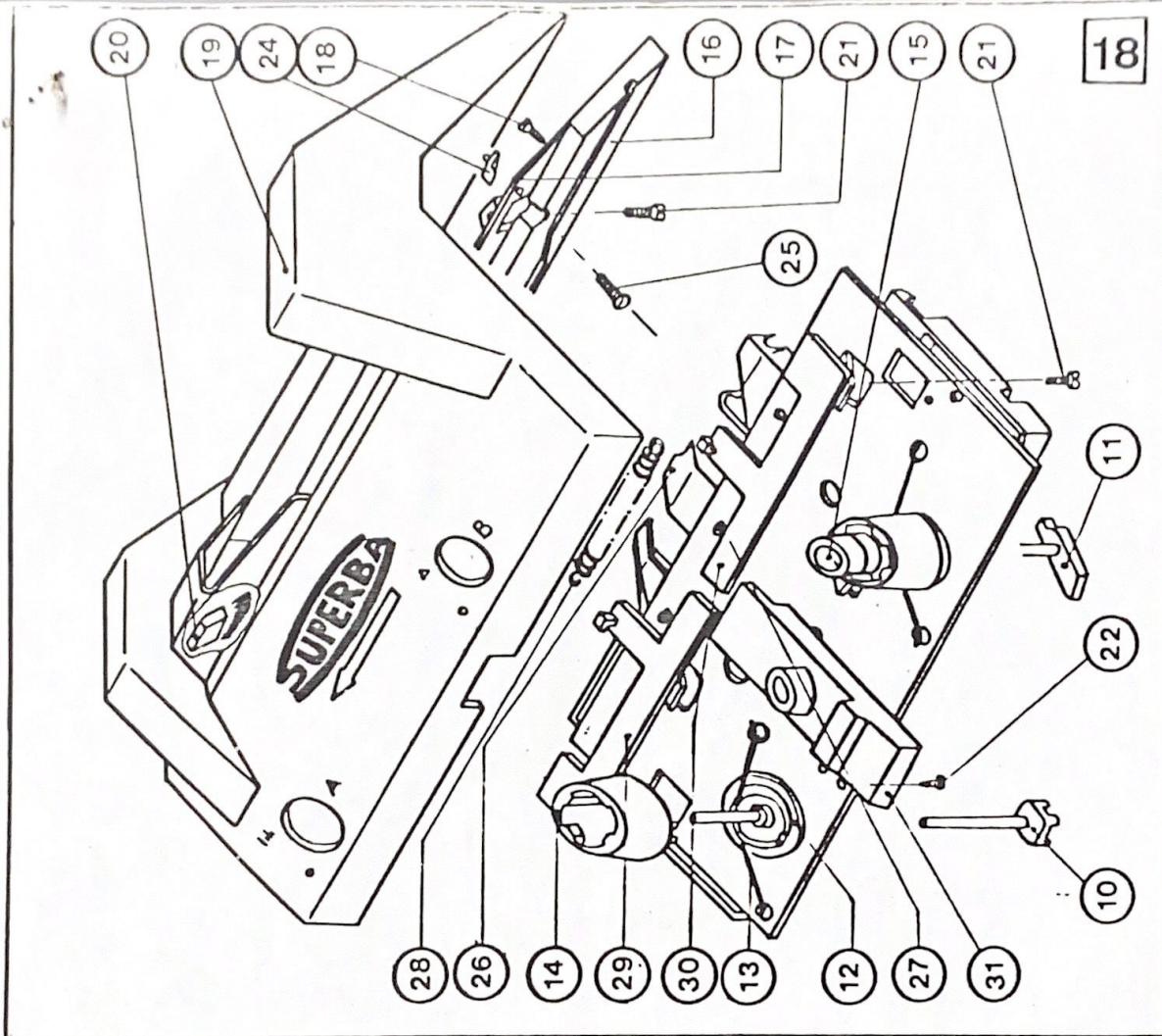
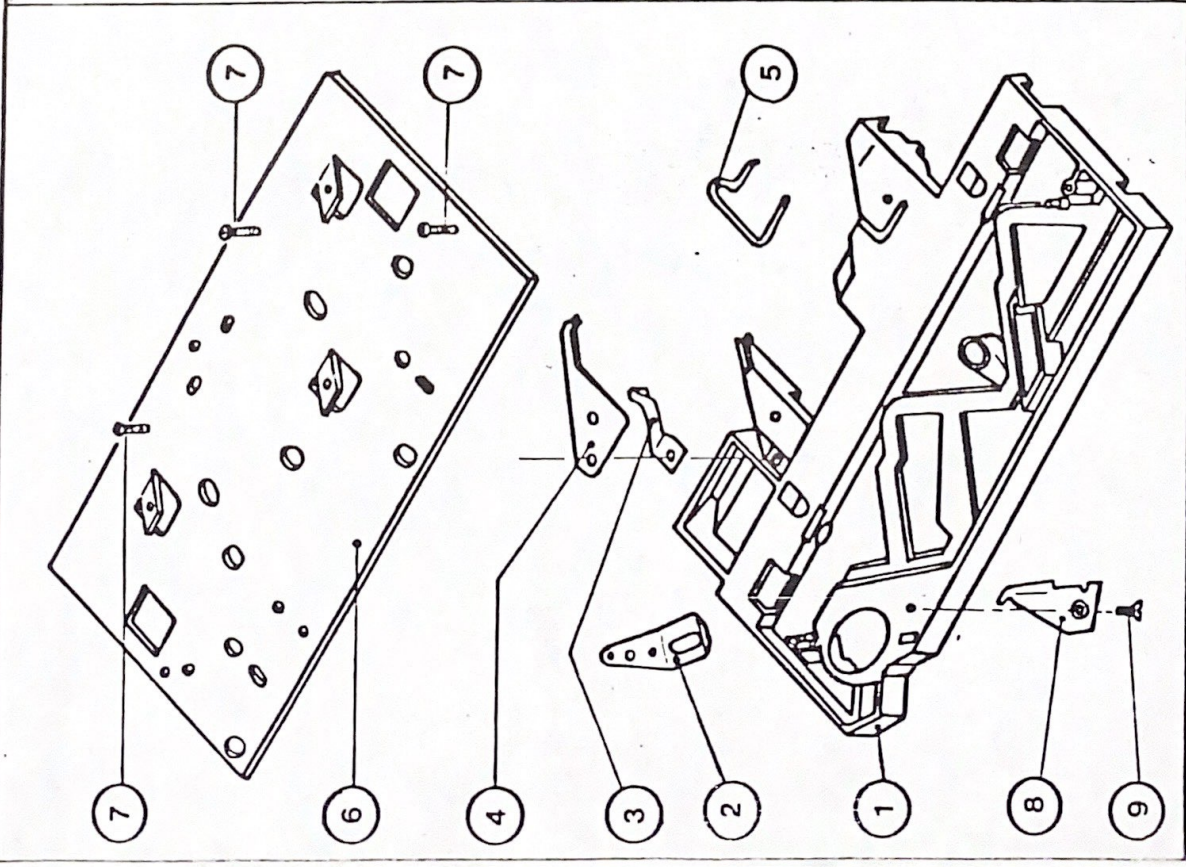
17a

SUPERBA

Item		Reference	Designation
1		8 514	Fixing clamp
2		8 763	Plate screw
3		8 762	Clamping button
4		8 515	Driving finger
5		9 008	Fixing screw (2x)
6	N.G.	2 513 01*	Stand for pattern driver
7		8 541	Fixing spring for pattern driver
8		9 048	Fixing screw (3x)
9	N.G.	2 513	Stand unit(9 = 6 + 7 + 8)
10		8 536	Distance piece for stand
11		9 505	Stand fixing screw (2x)
12		8 535	Driving for single bed machine
13		9 509	Fixing screw for driving



Item	Reference	Description
	2 197	Double garter knit carriage assy
	2 198	Double garter knit carriage assy + packing + instruction book + pattern book
1	8 148	Giving plate
2	8 298	Orientation spring of selector wheel
3	8 149	Latch guiding spring
4	8 166	Stitch enlarger
5	8 167	Stitch opening needle
6	8 147	Giving plate bracket
7	9 048	Screw CM3x7 (3x)
8	8 168	Positioning spring
9	9 015	Positioning spring fixing screw
10	8 204	Needle selector wheel assy
11	8 150	Lifting cam assembly
12	8 170	Selector wheel shaft guide (2x)
13	8 264	Selector wheel spring (2x)
14	8 169	Positioning socket (2x)
15	2 266	Selector button unit (2x)
16	8 164	Receiving plate
17	8 183	Receiving plate bracket
18	9 048	Screw CM 3 x7 (3x)
19	2 199	Cover
20	8 192	Brush
21	9 013	Screw CM 3x9
22	9 510	Taptite screw T4
23		
24	8 545	Guiding square (2x)
25	9 518	Screw F/90 M3x8 (2x)
26	8 548	Needle latch closing plate
27	9 001	Screw CM 3x4 (1x)
28	7 108	Tension spring (1x)
29	7 230	Left locking lever (1x)
30	7 231	Right locking lever (1x)
31	2 165	Unlocking knob (1x)



Item		Reference	Description
1	N.G.	2 988	Woolwinder W.W.
2		8 991	Fixing clamp
3	N.G.	2 992	Cover
4		9 093	Taping screw
5		8 998	Intermediary disc
6	N.G.	2 995	Driving wheel assy.
7		9 522	Washer ϕ 9 / ϕ 3,7 / 1
8		9 524	Pin washer ϕ 2,5
9	N.G.	2 997	Plug
10	N.G.	2 993	Winder
11		8 994	Conical pinion
		8 989	Yarn guide
		9 172	Instruction leaflet for woolwinder
	N.G.	2 986	Woolwinder W.W. + packing

