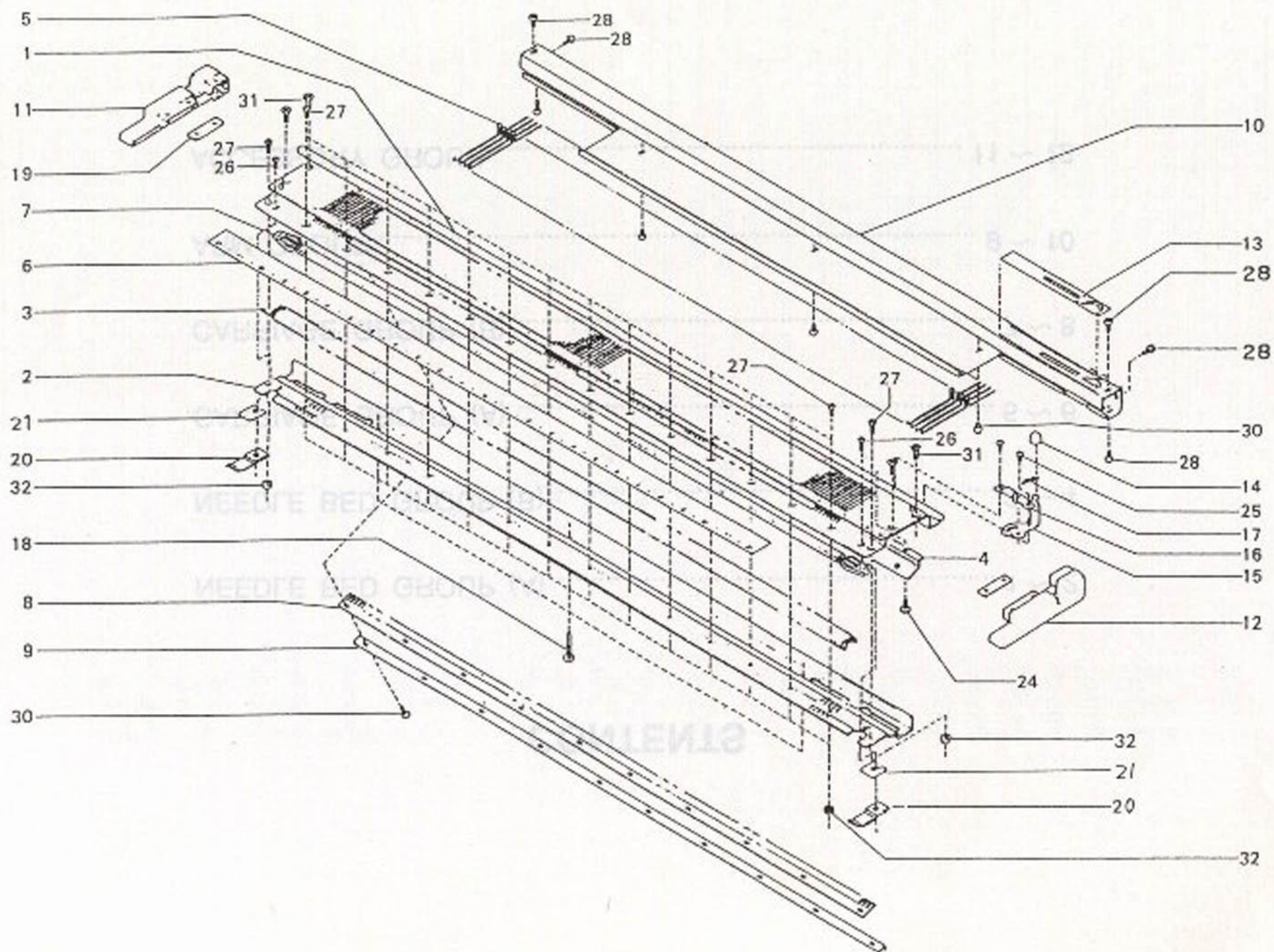
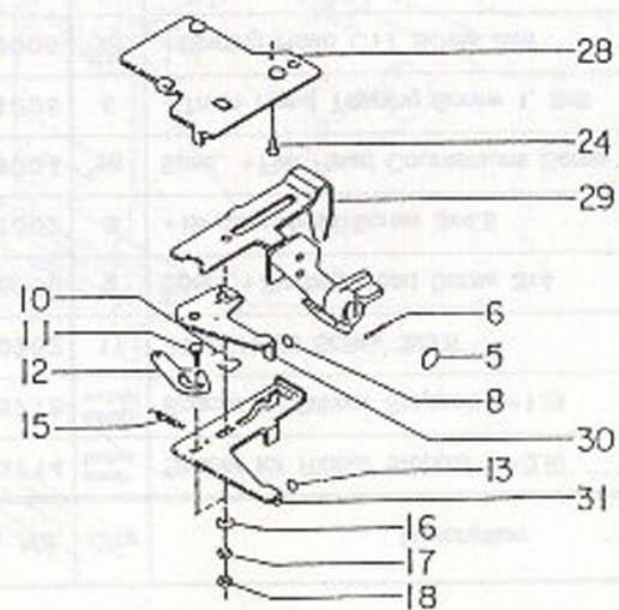
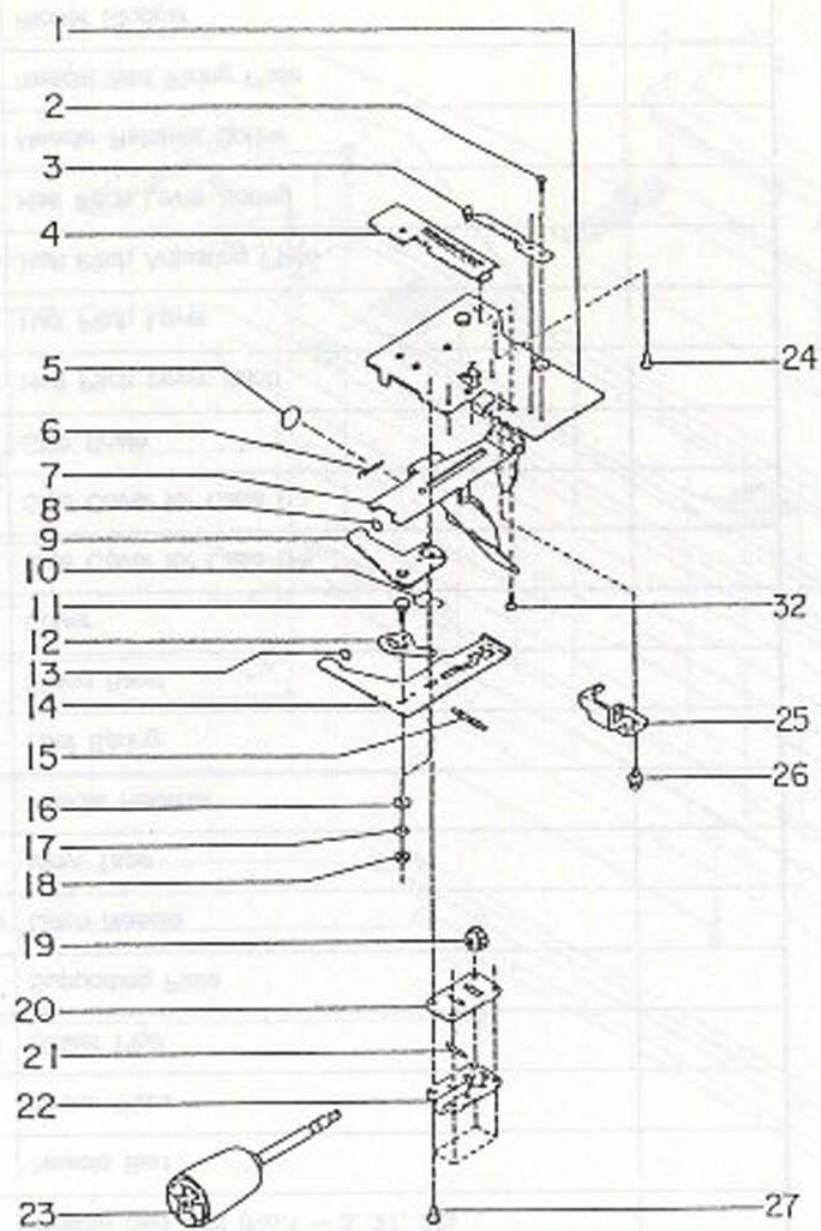


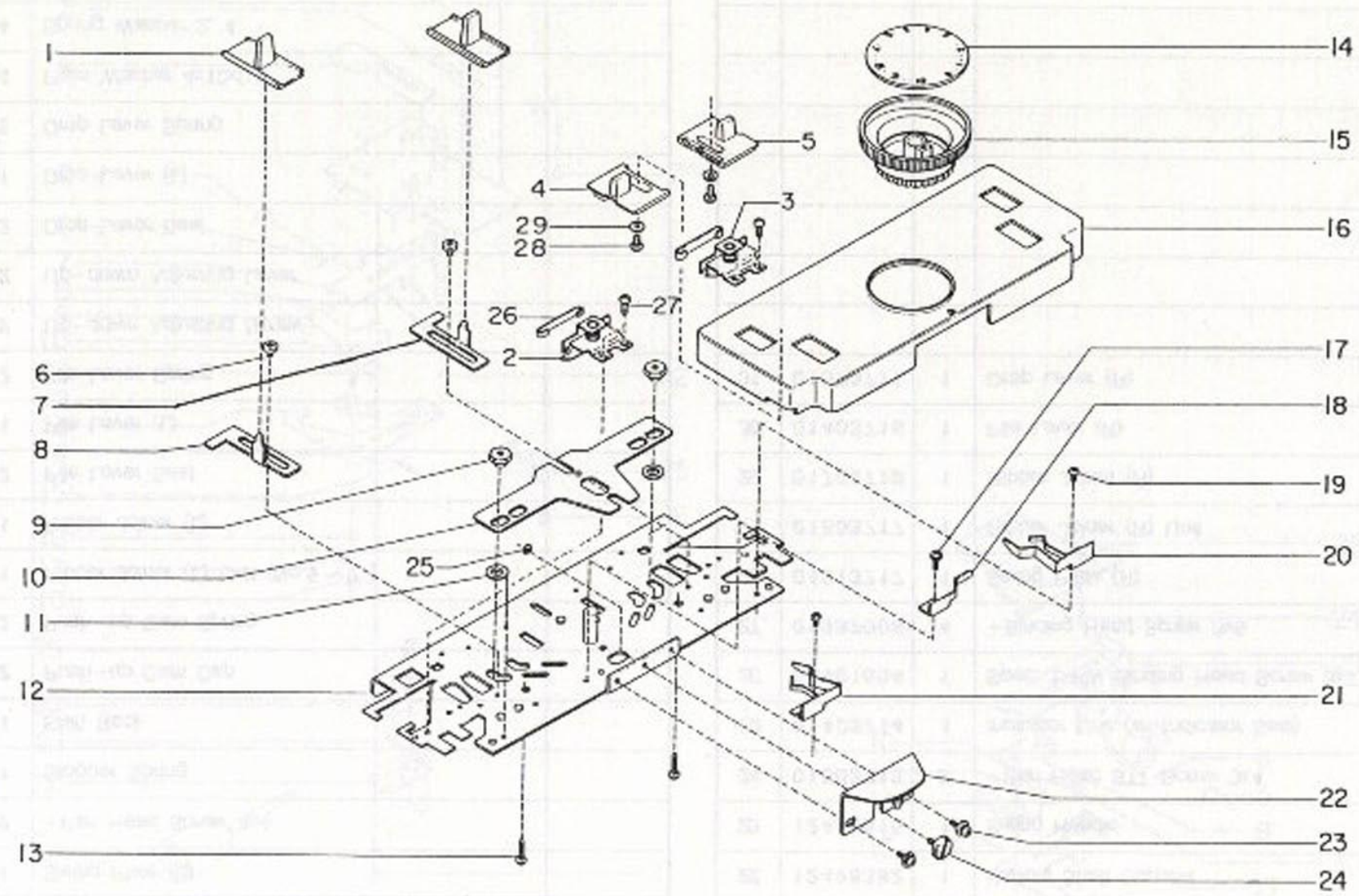
NEEDLE BED GROUP (A)



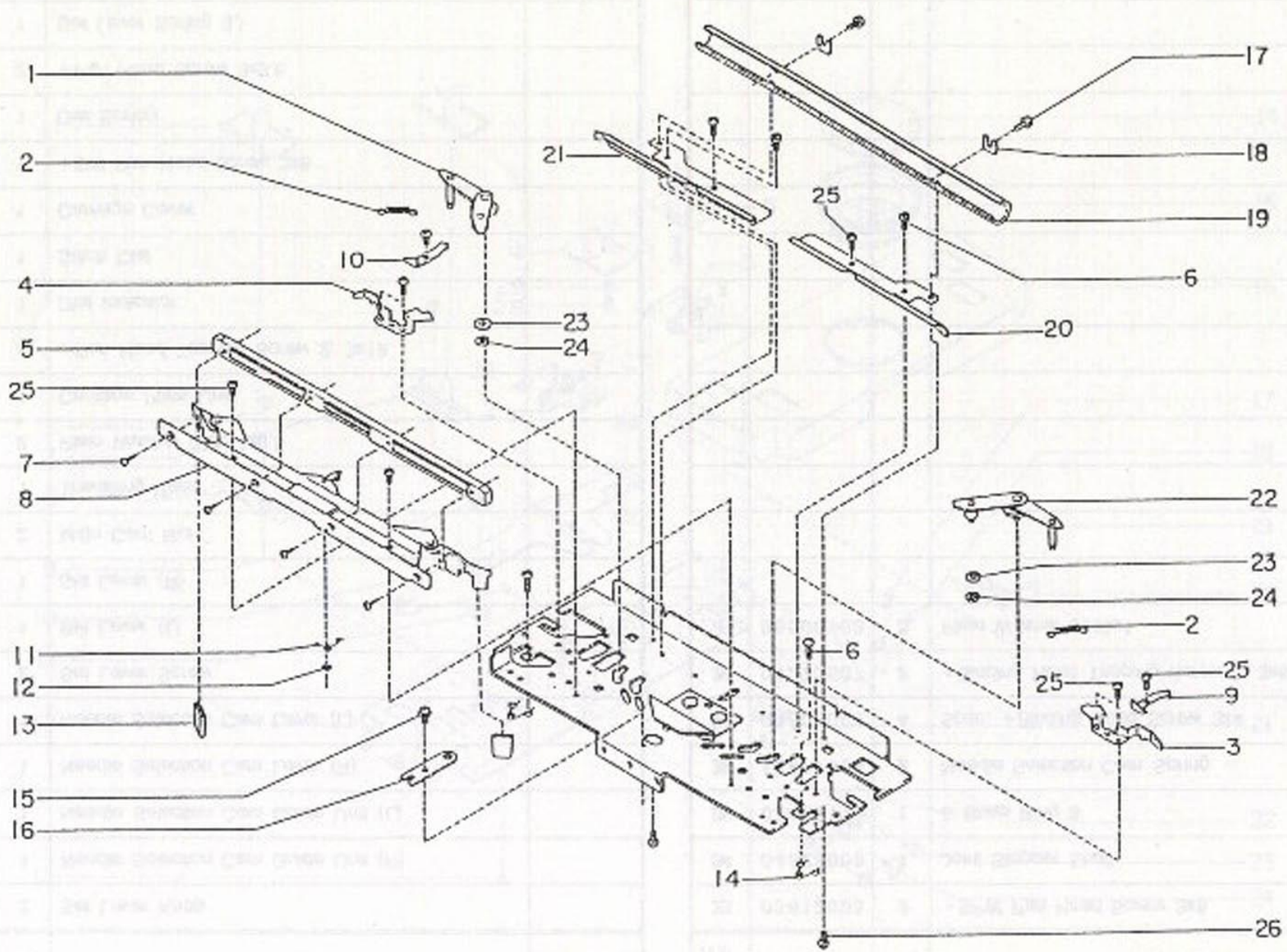
NEEDLE BED GROUP (B)



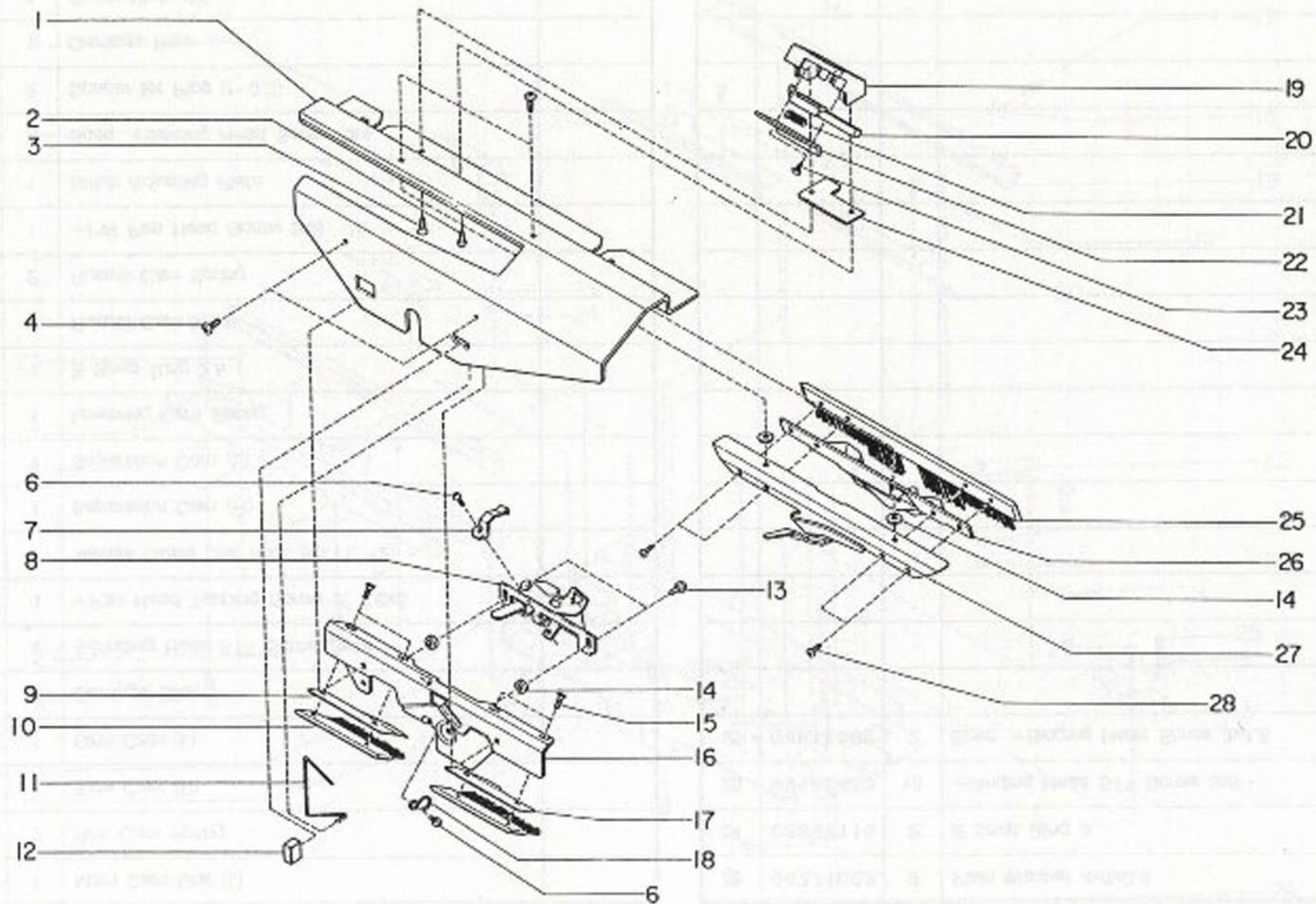
CARRIAGE GROUP (A)



CARRIAGE GROUP (B)



ARM GROUP



ACCESSORY GROUP

