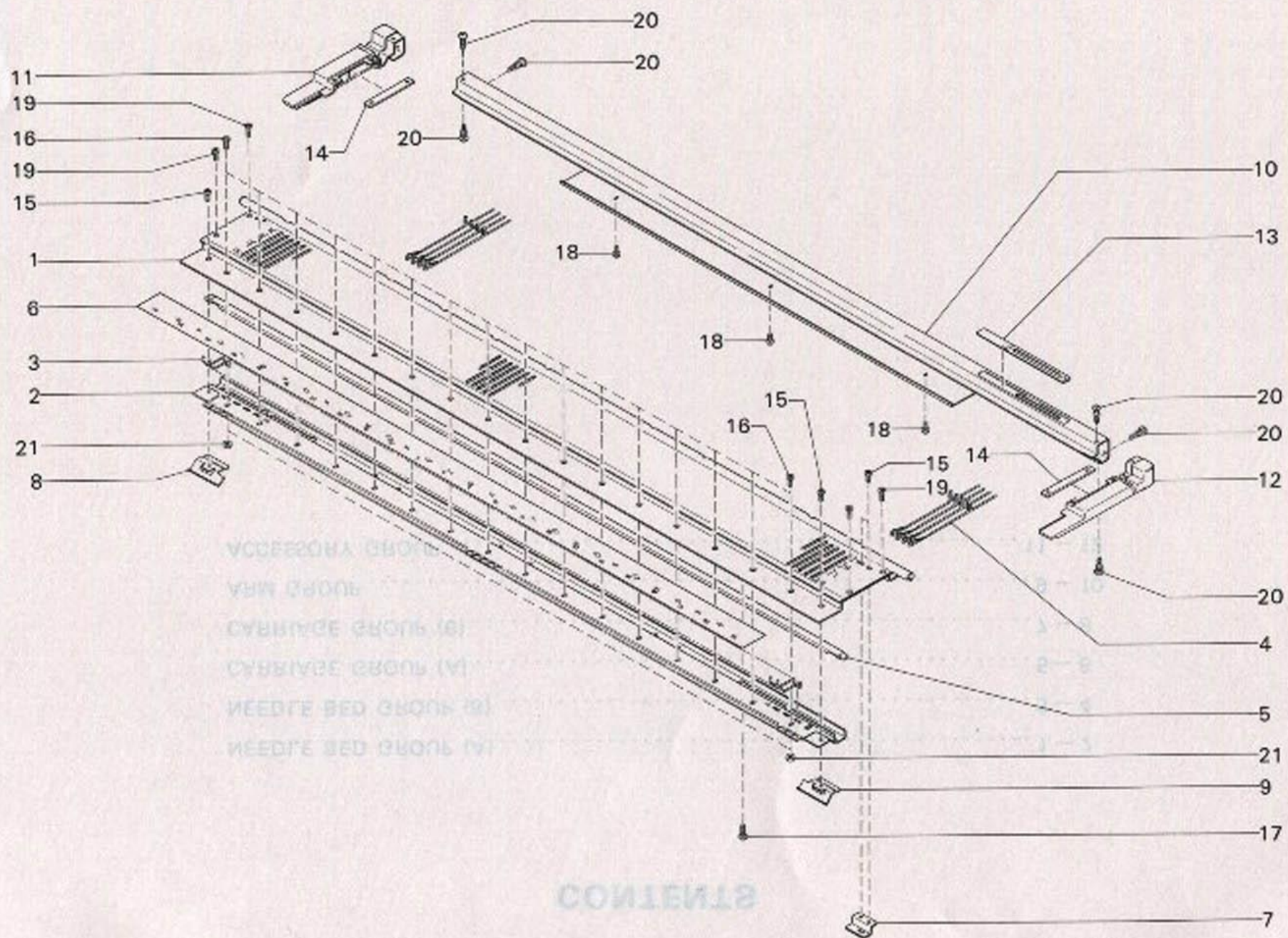
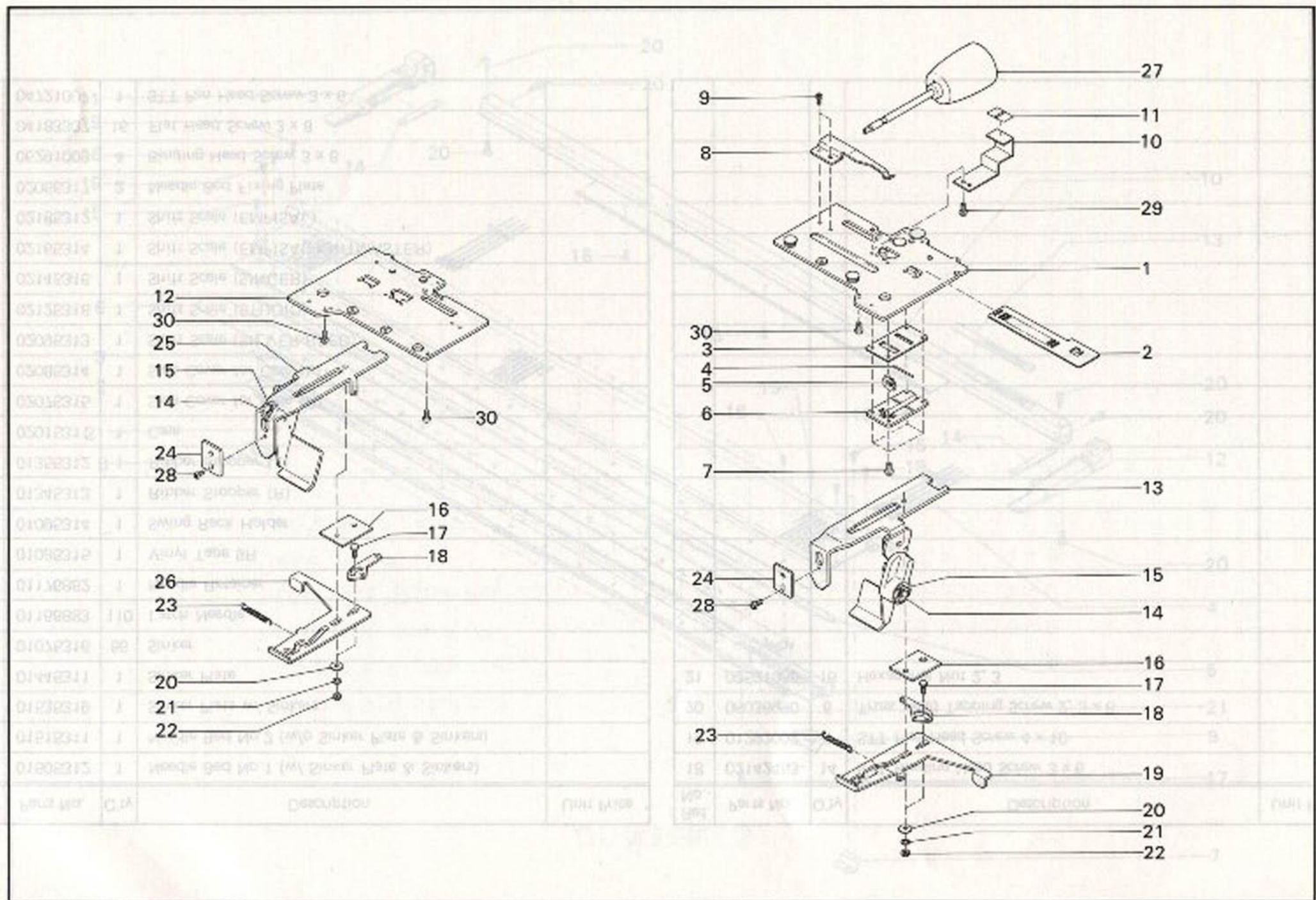


NEEDLE BED GROUP (A)



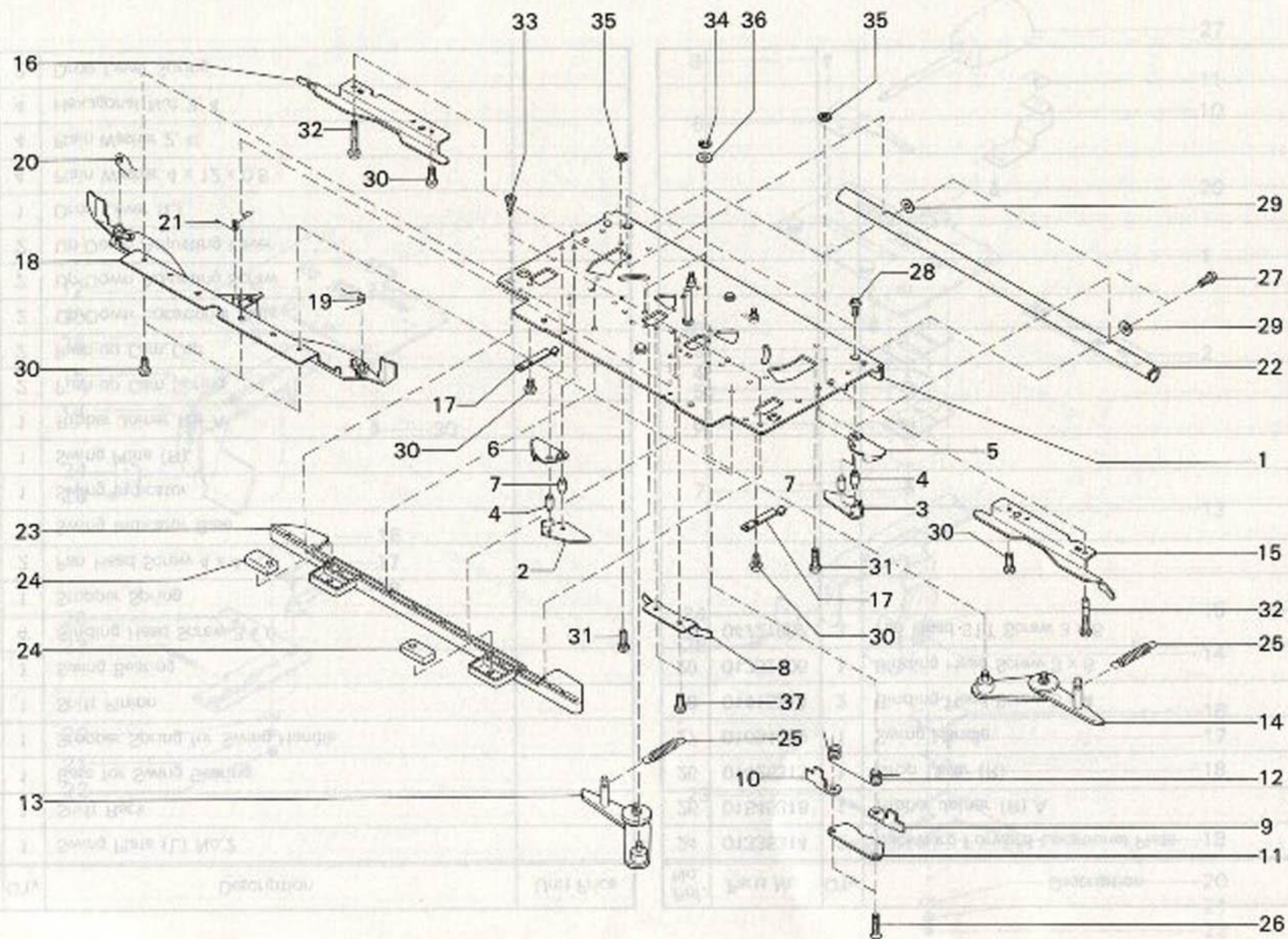
NEEDLE BED GROUP (B)



Ref. No.	Parts No.	Q'ty	Description	Unit Price
1	01115310	1	Swing Plate (L) No.2	
2	01155316	1	Shift Rack	
3	01216001	1	Base for Swing Bearing	
4	01206002	1	Stopper Spring for Swing Handle	
5	01103712	1	Shift Pinion	
6	01203710	1	Swing Bearing	
7	01332006	4	Binding Head Screw 3 x 6	
8	01165315	1	Stopper Spring	
9	01453711	2	Pan Head Screw 4 x 4	
10	01375310	1	Swing Indicator Base	
11	01385319	1	Swing Indicator	
12	01175314	1	Swing Plate (R)	
13	01555317	1	Ribber Joiner (L) A	
14	01893718	2	Push-up Cam Spring	
15	01903715	2	Push-up Cam Cap	
16	01315316	2	Up-Down Locational Plate	
17	01493717	2	Up-Down Adjusting Screw	
18	01483718	2	Up-Down Adjusting Lever	
19	01435312	1	Drop Lever (L)	
20	01923713	4	Plain Washer 4 x 12 x 0.8	
21	04862264	4	Plain Washer 2, 4	
22	01626001	4	Hexagonal Nut 2, 4	
23	01325315	2	Drop Lever Spring	

Ref. No.	Parts No.	Q'ty	Description	Unit Price
24	01335314	2	Backward-Forward Locational Plate	
25	01545318	1	Ribber Joiner (R) A	
26	01425313	1	Drop Lever (R)	
27	01694009	1	Swing Handle	
28	01415314	2	Binding Head Screw 3 x 4	
29	01332006	1	Binding Head Screw 3 x 6	
30	04721007	3	Pan Head STT Screw 3 x 6	
31	01165315	1	Stopper Spring	
32	01453711	2	Pan Head Screw 4 x 4	
33	01375310	1	Swing Indicator Base	
34	01385319	1	Swing Indicator	
35	01175314	1	Swing Plate (R)	
36	01555317	1	Ribber Joiner (L) A	
37	01893718	2	Push-up Cam Spring	
38	01903715	2	Push-up Cam Cap	
39	01315316	2	Up-Down Locational Plate	
40	01493717	2	Up-Down Adjusting Screw	
41	01483718	2	Up-Down Adjusting Lever	
42	01435312	1	Drop Lever (L)	
43	01923713	4	Plain Washer 4 x 12 x 0.8	
44	04862264	4	Plain Washer 2, 4	
45	01626001	4	Hexagonal Nut 2, 4	
46	01325315	2	Drop Lever Spring	

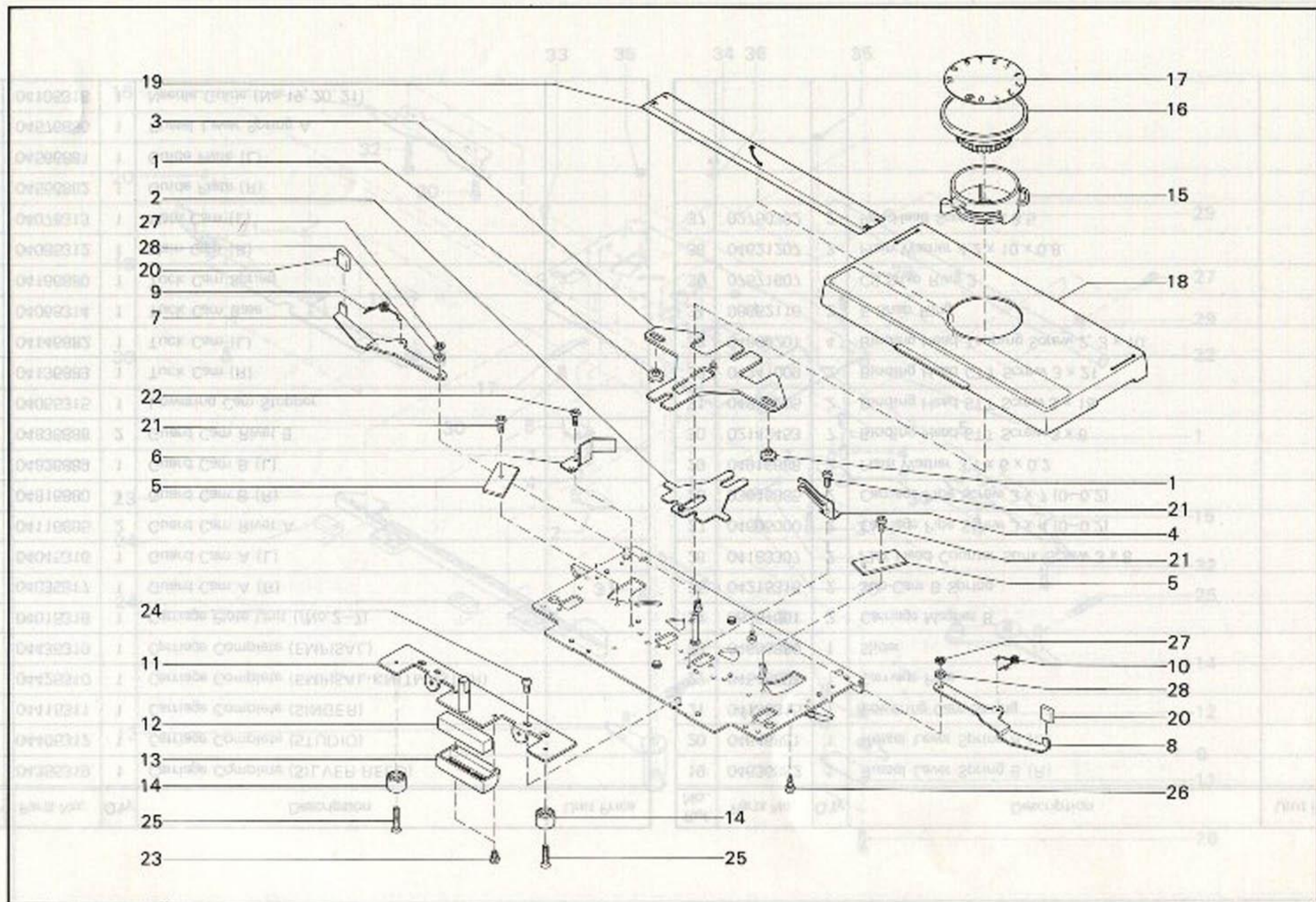
CARRIAGE GROUP (A)



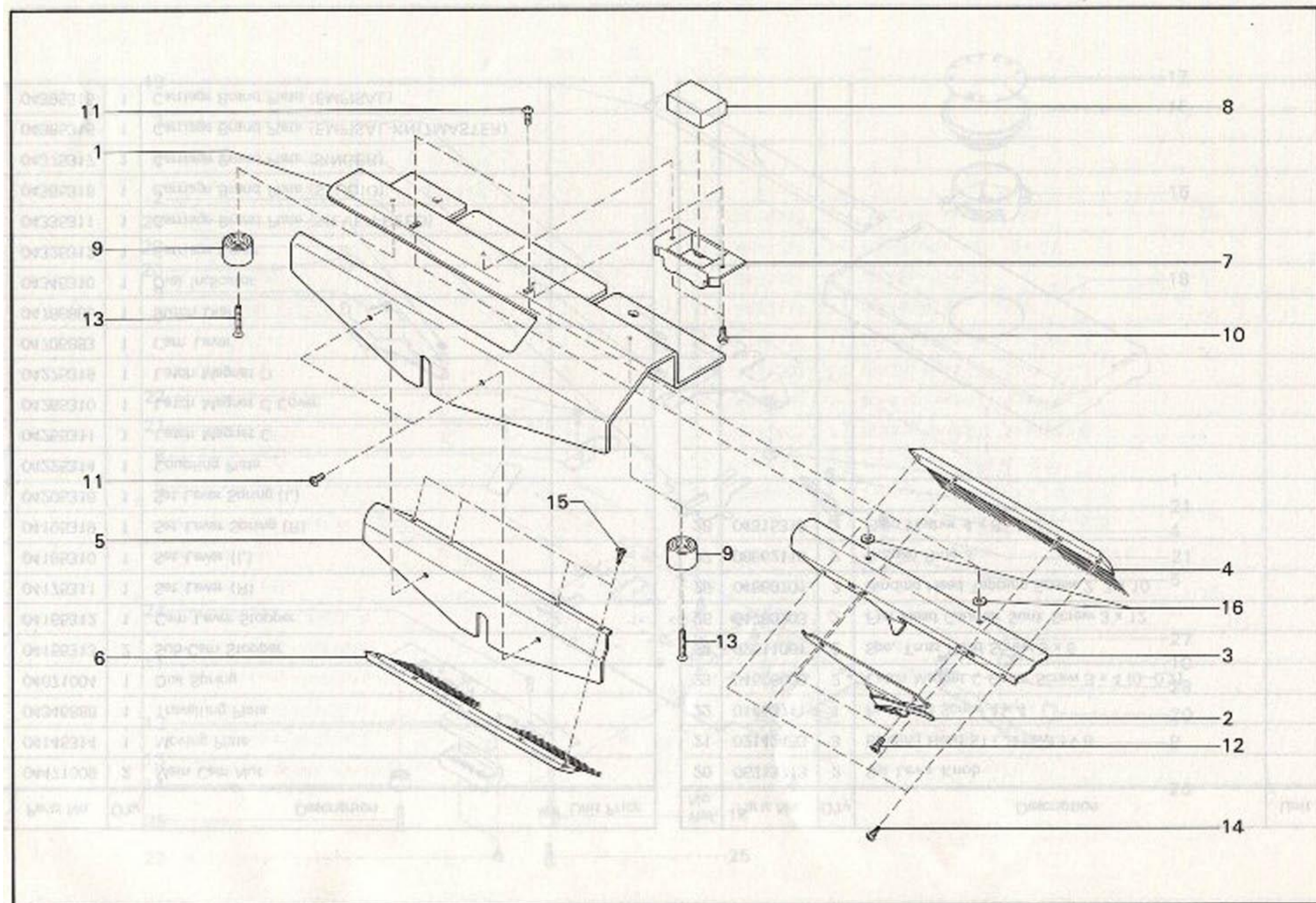
Ref. No.	Parts No.	Q'ty	Description	Unit Price
○	04355319	1	Carriage Complete (SILVER-REED)	
○	04405312	1	Carriage Complete (STUDIO)	
○	04415311	1	Carriage Complete (SINGER)	
○	04425310	1	Carriage Complete (EMPISAL-KNITMASTER)	
○	04435319	1	Carriage Complete (EMPISAL)	
1	04015319	1	Carriage Plate Unit (/No.2-7)	
2	04035317	1	Guard Cam A (R)	
3	04045316	1	Guard Cam A (L)	
4	04116885	2	Guard Cam Rivet A	
5	04816880	1	Guard Cam B (R)	
6	04826889	1	Guard Cam B (L)	
7	04836888	2	Guard Cam Rivet B	
8	04055315	1	Lowering Cam Stopper	
9	04136883	1	Tuck Cam (R)	
10	04146882	1	Tuck Cam (L)	
11	04065314	1	Tuck Cam Base	
12	04166880	1	Tuck Cam Spring	
13	04085312	1	Main Cam (R)	
14	04075313	1	Main Cam (L)	
15	04556882	1	Guide Plate (R)	
16	04566881	1	Guide Plate (L)	
17	04576880	1	Russel Lever Spring A	
18	04105318	1	Needle Guide (No.19, 20, 21)	

Ref. No.	Parts No.	Q'ty	Description
19	04636882	1	Russel Lever Spring B (R)
20	04646881	1	Russel Lever Spring B (L)
21	04135315	1	Lowering Cam Spring
22	04546883	1	Carriage Pipe
23	04656880	1	Slider
24	06351001	2	Carriage Magnet B
25	04215315	2	Sub-Cam B Spring
26	04183307	2	Flat Head Counter Sunk Screw 3 x 8
27	04606000	2	Carriage Pipe Screw 3 x 4 (0-0.2)
28	03046885	2	Carriage Pipe Screw 3 x 7 (0-0.2)
29	04916888	2	Plain Washer 3.1 x 6 x 0.2
30	02142453	7	Binding Head STT Screw 3 x 6
31	04820205	2	Binding Head STT Screw 3 x 18
32	01241009	2	Binding Head CTT Screw 3 x 21
33	04860201	4	Binding Head Tapping Screw 2, 3 x 10
34	08662116	2	E Snap Ring
35	07571607	2	CS Snap Ring 2
36	04621207	2	Plain Washer 4.2 x 10 x 0.8
37	02750362	2	Pan Head Screw 3 x 3.5

CARRIAGE GROUP (B)



CAR ARM GROUP (B)



Ref. No.	Parts No.	Q'ty	Description
1	06015317	1	Arm
2	06035315	1	Yarn Feeder
3	06045314	1	Brush Holder A
4	06145312	1	Clearing Brush A
5	06075311	1	Brush Holder B
6	06055313	1	Clearing Brush B
7	06095319	1	Arm Magnet Cover
8	02170363	1	Latch Magnet
9	04275319	2	Latch Magnet D
10	04606000	2	Arm Magnet Cover Screw 3 x 4 (0-0.2)
11	02511061	4	Spec. Truss Head Screw 3 x 6
12	04183307	2	Flat Head Counter Sunk Screw 3 x 8
13	04760203	2	Flat Head Counter Sunk Screw 3 x 12
14	06096002	4	Round Head Tapping Screw 2, 2.3 x 6
15	04536942	4	Flat Head Tapping Screw 2, 2.3 x 6
16	05912159	conditional	Plain Washer 4.2 x 8 x 0.2
16	06125314	conditional	Plain Washer 4 x 8 x 0.6
16	04770814	conditional	Plain Washer 4.3 x 8 x 0.8
16	05522156	conditional	Plain Washer 4.2 x 8 x 1.0
O	06005318	1	Arm Complete

ACCESSORY GROUP

