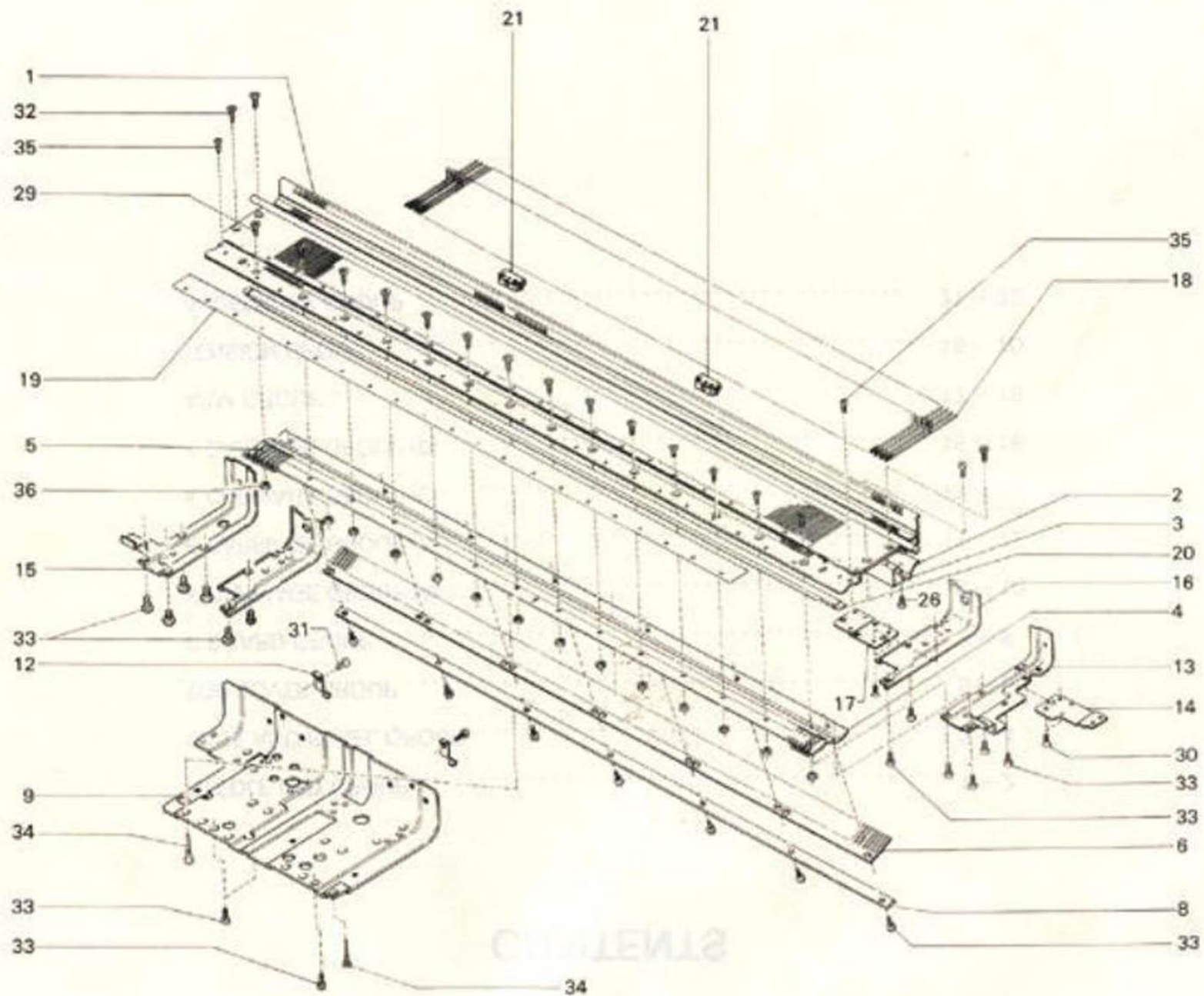
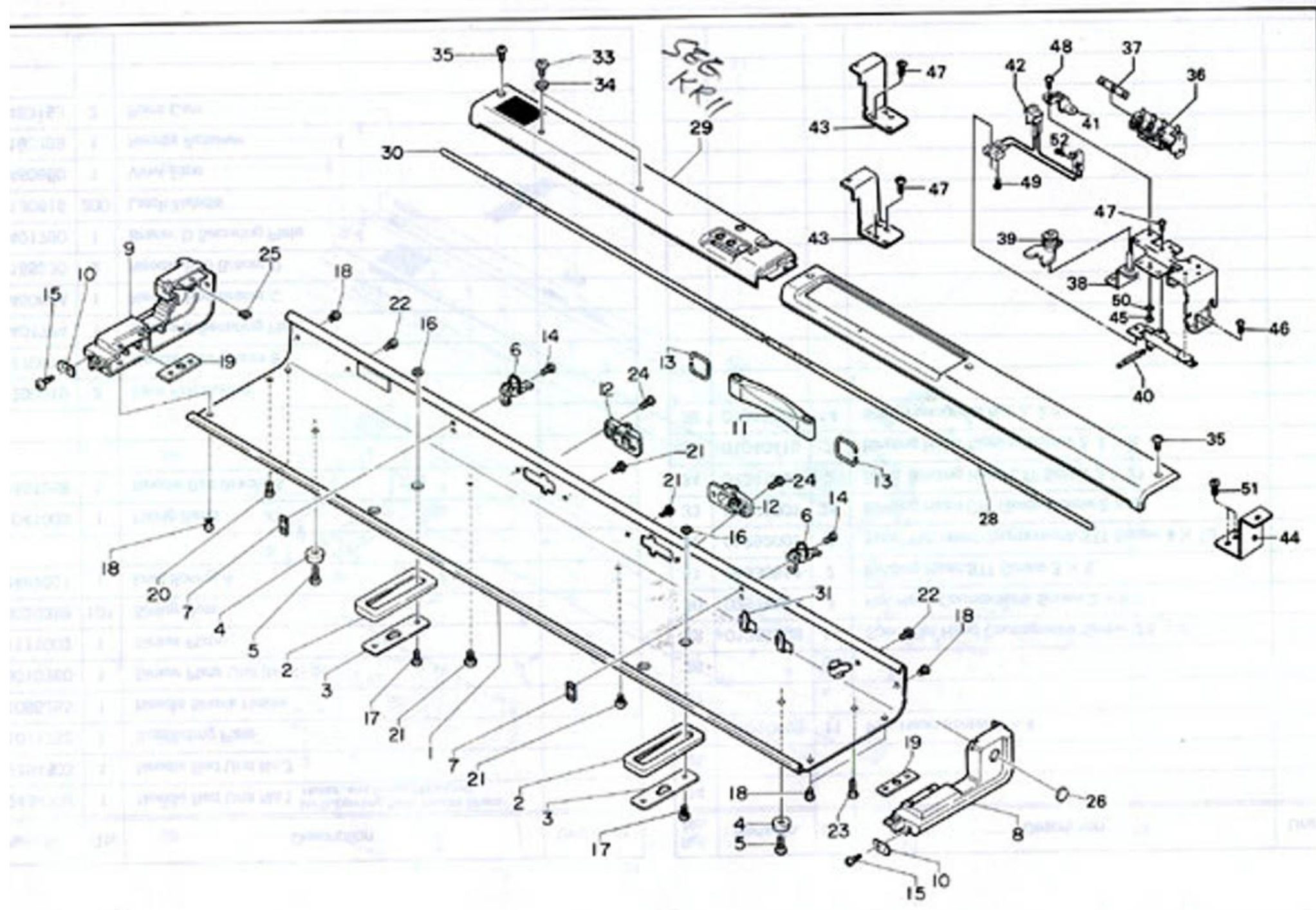


NEEDLE BED GROUP



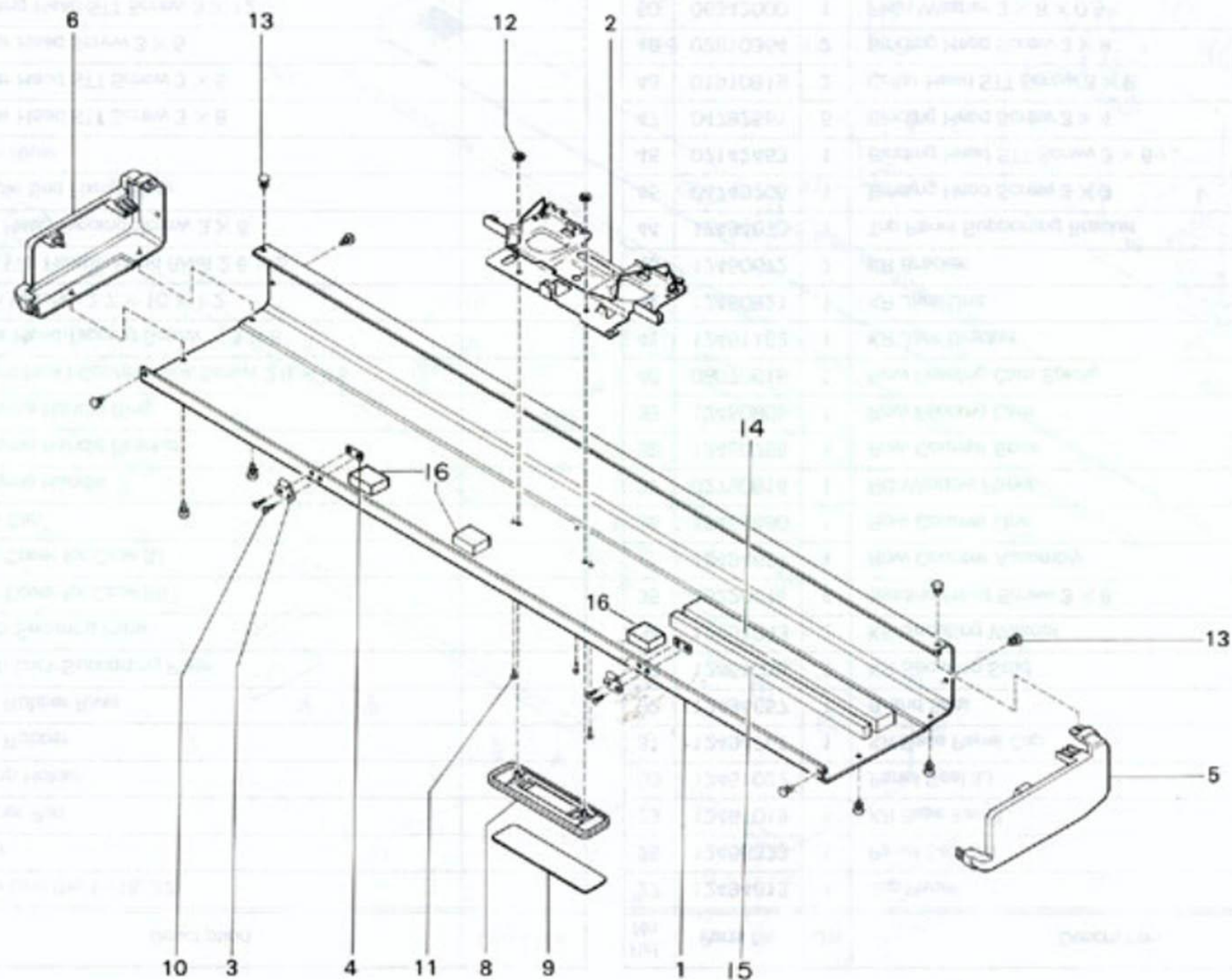
CASE AND PANEL GROUP



Ref. No.	Parts No.	Q'ty	Description	Unit Price
○	12494696	1	Case Unit (No.1~18, 32)	
1	12450854	1	Case	
2	02080810	2	Rubber Pad	
3	02091205	2	Clamp Holder	
4	12132007	2	Foot Rubber	
5	02142008	2	Foot Rubber Rivet	
6	02272003	2	Latch Lock Supporting Plate	
7	02341204	2	Latch Securing Plate	
8	12450862	1	Side Cover for Case (R)	
9	12450870	1	Side Cover for Case (L)	
10	02052009	2	Yarn Clip	
11	12480430	1	Carrying Handle	
12	12493177	2	Carrying Handle Bracket	
13	02222008	2	Carrying Handle Ring	
14	02442267	4	Round Head Countersunk Screw 2.6 × 4.5	
15	02251205	2	Truss Head Tapping Screw 1, 3 × 8	
16	02152007	4	Plain Washer 2.7 × 10 × 1.2	
17	02212009	4	Thin Flat Fillister Head Rivet 2.6 × 5	
18	12482477	5	Trus Head Tapping Screw 3 × 6	
19	02430411	2	Needle Bed Fixing Plate	
20	02071207	2	Push Rivet	
21	01910819	4	Collar Head STT Screw 3 × 8	
22	03910817	2	Collar Head STT Screw 3 × 5	
23	08030611	1	Collar Head Screw 3 × 5	
24	01920818	2	Binding Head STT Screw 3 × 12	
25	02036002	2	Square Nut 3, 8 × 8 × 2	
26	12451688	1	PE1 Socket Cap	

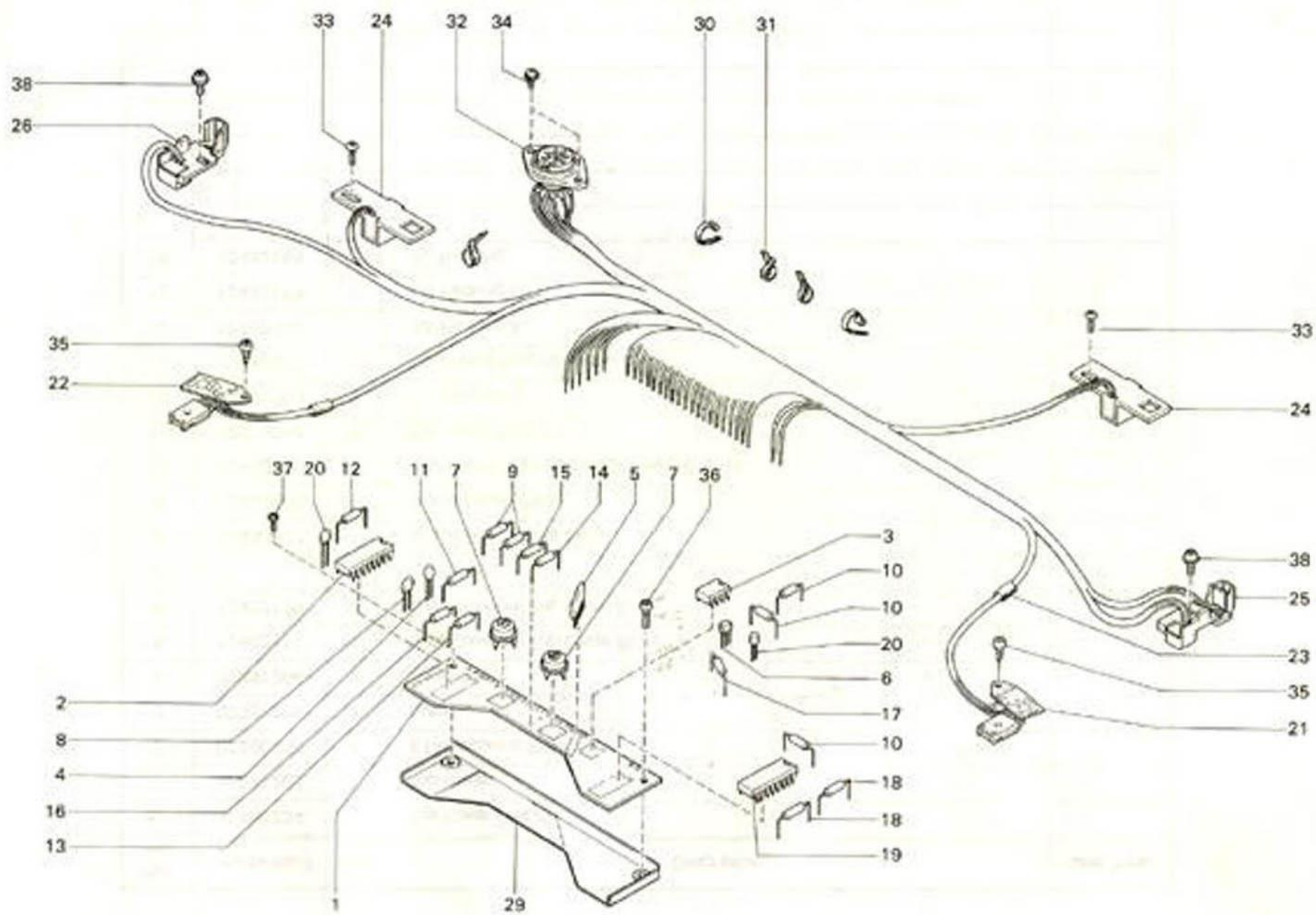
Ref. No.	Parts No.	Q'ty	Description
27	12494613	1	Top Panel
28	12456323	1	Panel Seal (R)
29	12451019	1	KR Base Panel
30	12451027	1	Panel Seal (L)
31	12494761	1	KR Base Panel Cap
32	12494657	1	Brand Seal
33	12451035	2	KR Securing Stud
34	12451043	2	KR Securing Washer
35	05220611	4	Binding Head Screw 3 × 8
○	12494621	1	Row Counter Assembly
36	12451480	1	Row Counter Unit
37	02790814	1	RC Window Panel
38	12450755	1	Row Counter Base
39	12450805	1	Row Feeding Cam
40	08070815	1	Row Feeding Cam Spring
41	12451183	1	KR Jack Bracket
42	12450821	1	KR Jack Unit
43	12450672	2	KR Bracket
44	12494670	1	Top Panel Supporting Bracket
45	04740205	1	Binding Head Screw 3 × 3
46	02142453	1	Binding Head STT Screw 3 × 6
47	04782561	5	Binding Head Screw 3 × 4
48	01910819	2	Collar Head STT Screw 3 × 8
49	02810364	2	Binding Head Screw 2 × 8
50	06342000	1	Plain Washer 3 × 8 × 0.5
51	05212006	2	Binding Head Screw 3 × 5
52	12451449	1	Fine Screw 1.6 × 8

TOP COVER GROUP

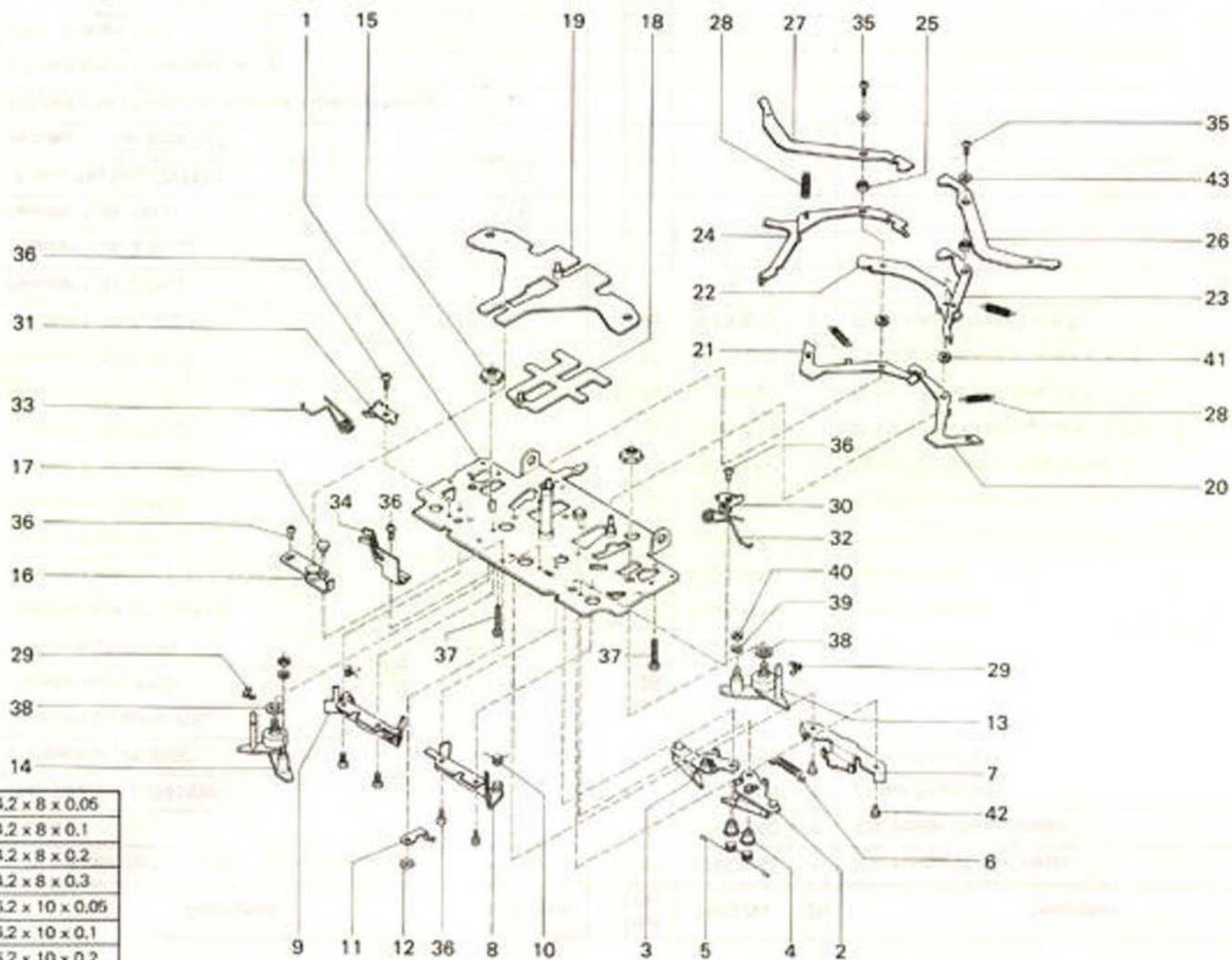


Ref. No.	Parts No.	Q'ty	Description
◎	12498234	1	Top Cover Unit (No.1 ~ 16)
1	02271203	1	Top Cover
2	02295236	1	BTA Securing Plate
3	02331205	2	Latch
4	02341204	2	Latch Nut
5	12402111	1	Side Cover for Top Cover (R)
6	12402129	1	Side Cover for Top Cover (L)
7			
8	12480927	1	Brand Name Plate Base
9	12487666	1	Brand Name Plate
10	02442267	4	Oval Head Countersunk Screw 2.6 × 4.5
11	02472264	3	Pan Head Rivet 2 × 3
12	02221000	2	CS Snap Ring 3
13	12482477	10	Trus Head Tapping Screw 3 × 6
14	12452140	1	AB Packing A
15	12452157	1	AB Packing B
16	12452165	3	RC Racking

C BOARD GROUP



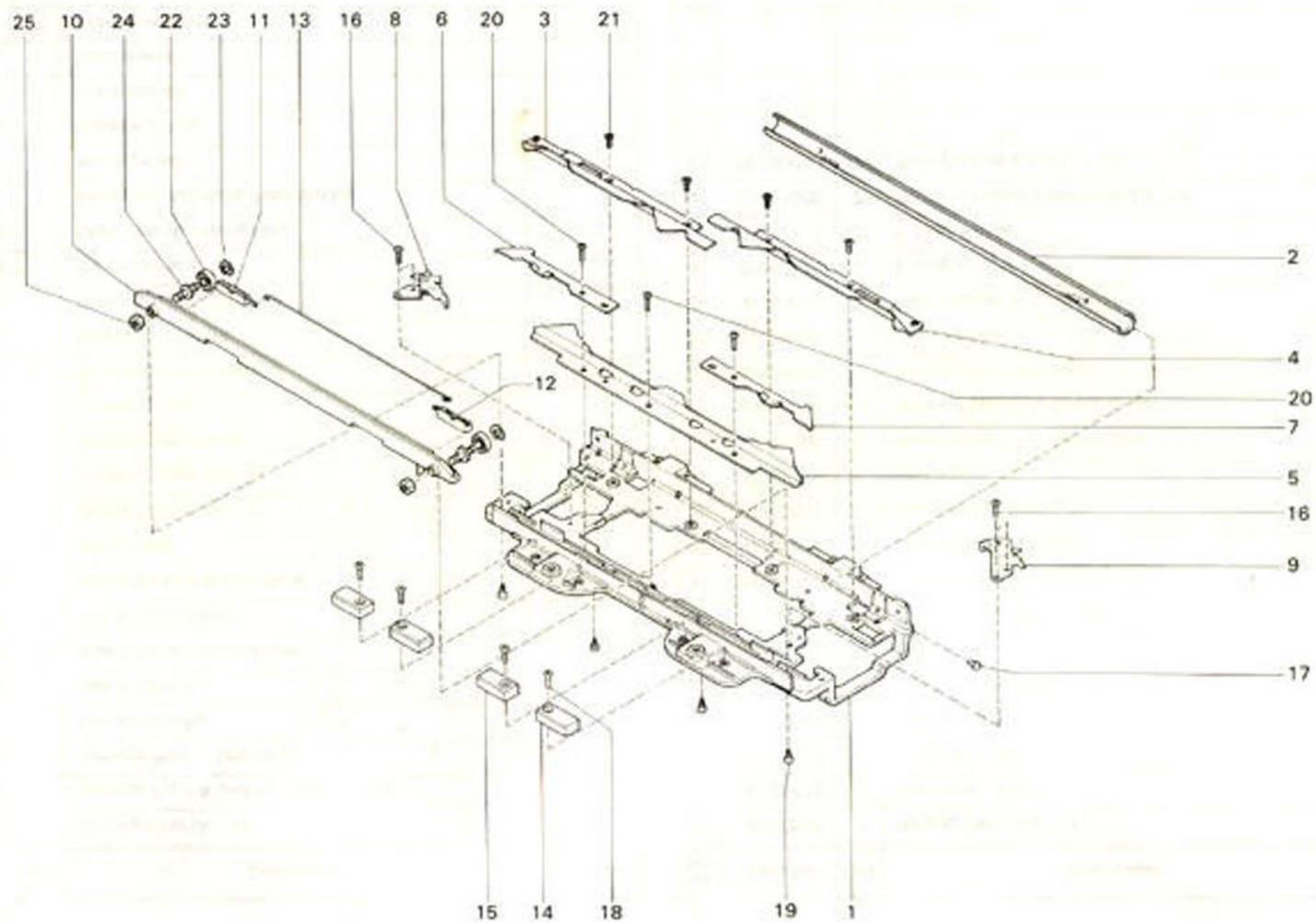
K CARRIAGE GROUP (A)



Ref. No.38

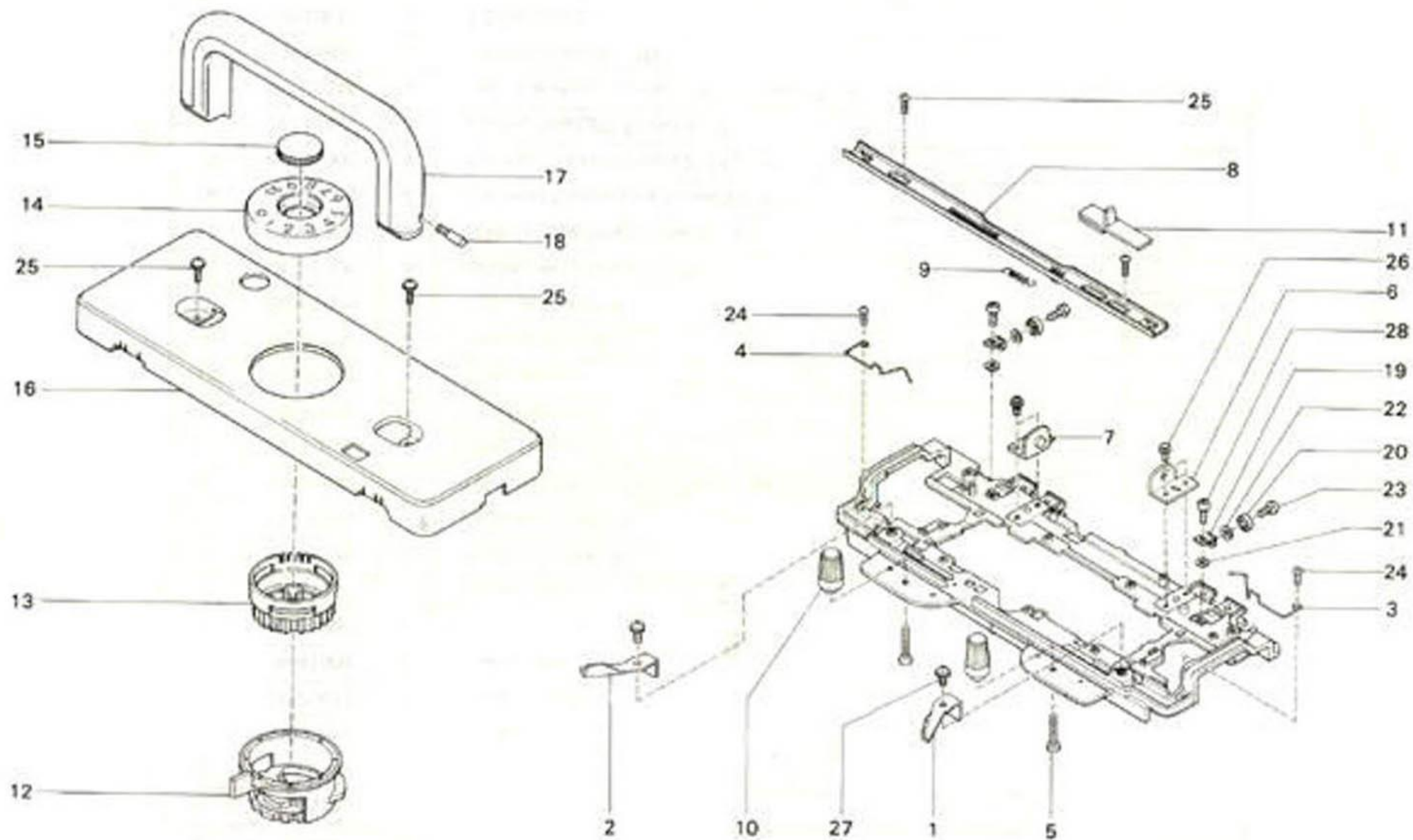
05892153	4.2 x 8 x 0.05
05902150	4.2 x 8 x 0.1
05912159	4.2 x 8 x 0.2
05922158	4.2 x 8 x 0.3
06932157	6.2 x 10 x 0.05
06942156	6.2 x 10 x 0.1
06952155	6.2 x 10 x 0.2
06962154	6.2 x 10 x 0.3

K CARRIAGE GROUP (B)

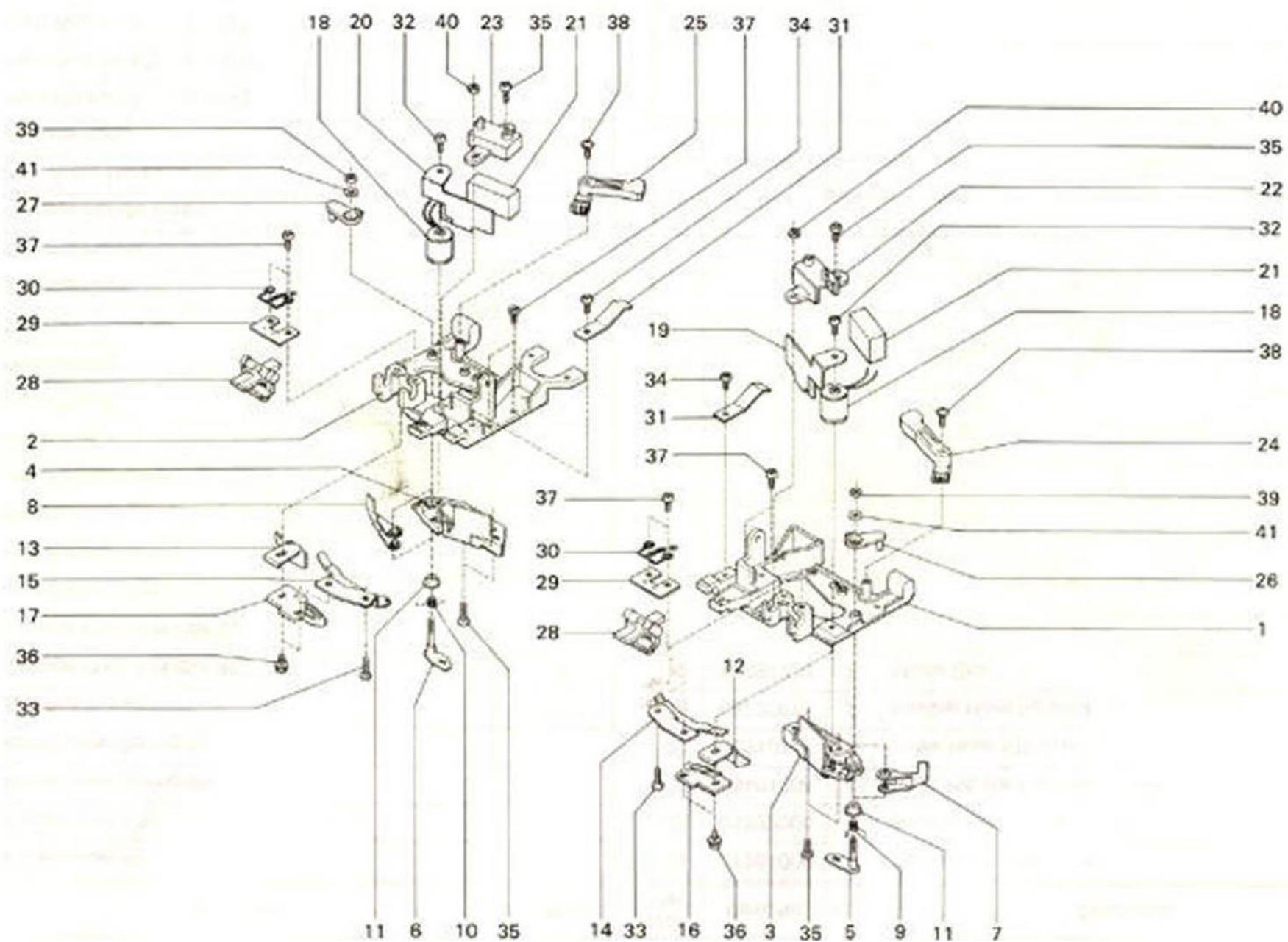


Ref. No.	Parts No.	Q'ty	Description
1	05275235	1	Carriage Plate B
2	12402418	1	Carriage Pipe
3	04260618	1	Guide Plate (R)
4	04270617	1	Guide Plate (L)
5	05041009	1	Needle Guide
6	05051008	1	Russel Cam (R)
7	05061007	1	Russel Cam (L)
8	04165239	1	Separation Cam (R)
9	04175238	1	Separation Cam (L)
10	12437869	1	Carriage Slider Unit (w/H Board, Hall IC DN6839)
11	04320610	1	Slider Magnet (R)
12	04330619	1	Slider Magnet (L)
13	04350617	1	Slider Hanger
14	06161004	2	Carriage Magnet A
15	06351001	2	Carriage Magnet B
16	01332006	4	Binding Head Screw 3 × 6
17	04981205	2	Spec. Binding Head Screw 3 × 4.5
18	05831003	4	Flat Head Countersunk Screw 3 × 9
19	05861000	4	Pan Head Tapping Screw 2, 2.6 × 10
20	02142453	3	Binding Head STT Screw 3 × 6
21	05196616	4	Spec. Flat Head Countersunk STT Screw 3 × 6
22	12431805	2	Carriage Roller 4 × 10
23	03910619	2	E Snap Ring 2
24	12436150	2	Roller Shaft
25	02521060	2	Hexagonal Nut 2, 3

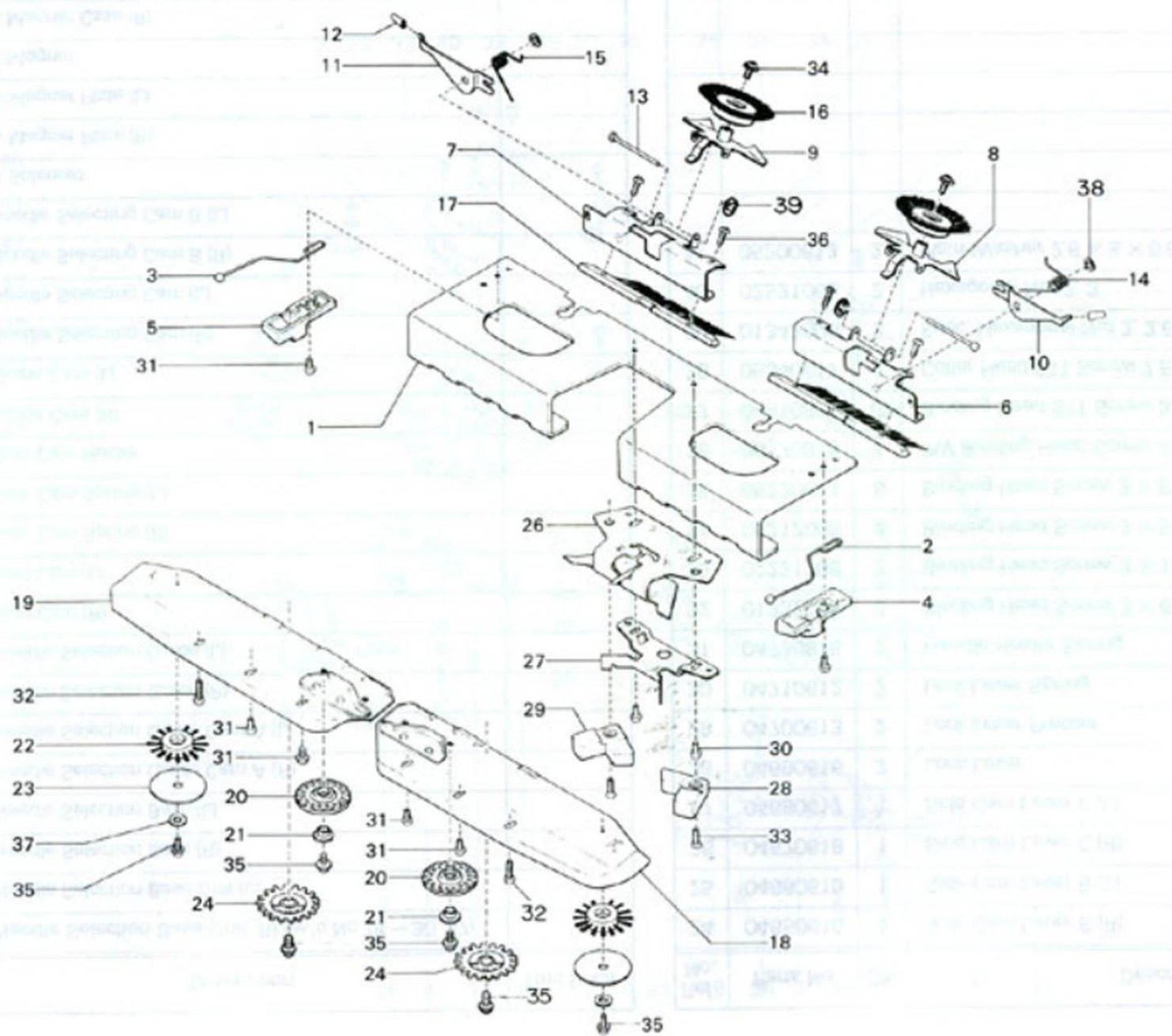
K CARRIAGE GROUP (C)



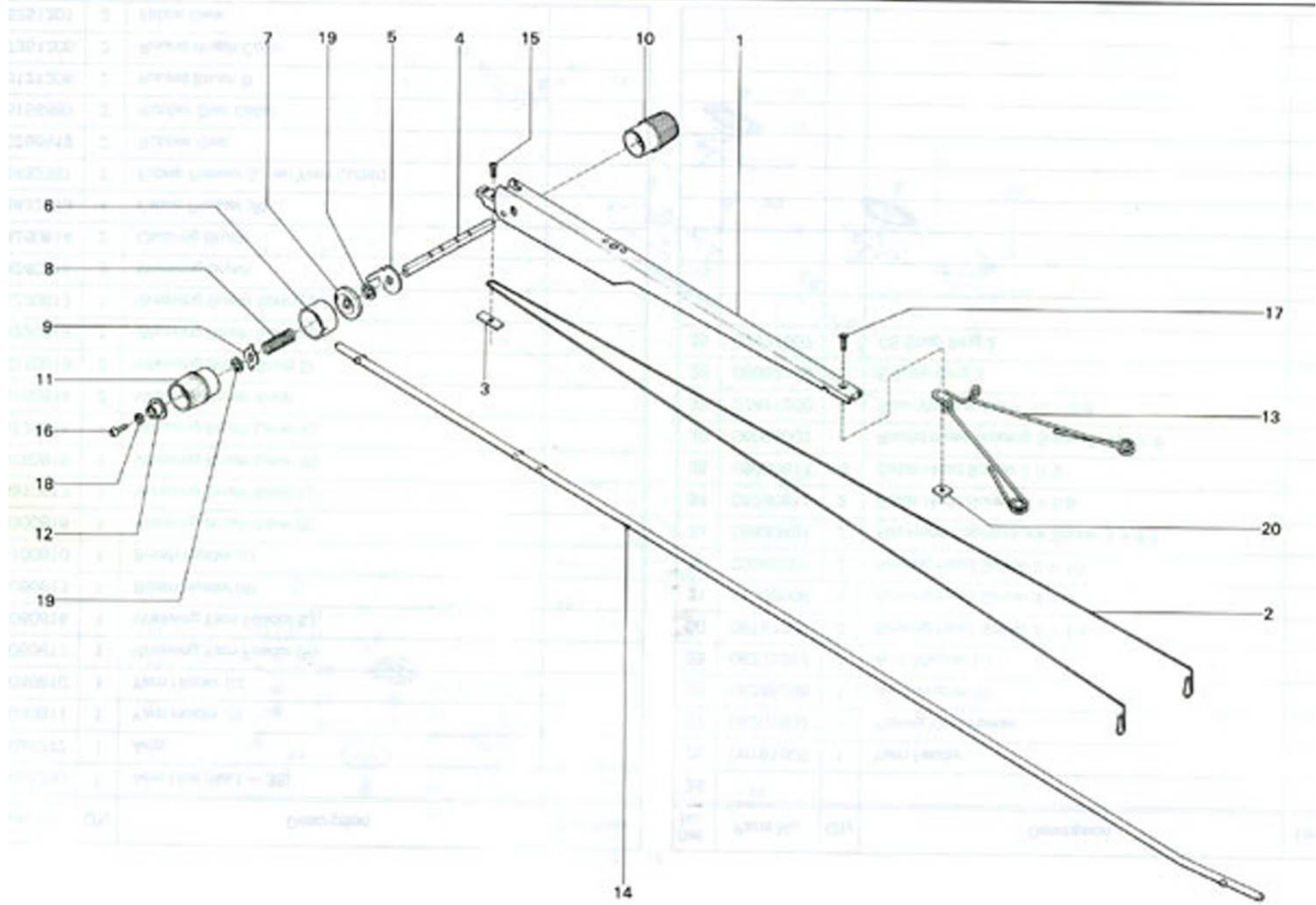
K CARRIAGE GROUP (D)



ARM GROUP



TENSION GROUP



Ref. No.	Parts No.	Q'ty	Description
◎	07011604	1	Tension Unit (No.1 ~ 20 excl. No.14)
1	07790611	1	Tension Arm
2	17182007	1	Tension Spring
3	07021009	1	Tension Spring Securing Plate
4	07051600	1	Tension Shaft
5	07112006	2	Tension Stopper Plate
6	07082001	2	Tension Disc A
7	07092000	2	Tension Disc B
8	07131600	2	Tension Disc Spring
9	07111602	2	Tension Disc Spring Stopper
10	07071608	1	Tension Dial (R)
11	07081607	1	Tension Dial (L)
12	07151608	2	Dial Stopper
13	07141609	1	V-Shaped Yarn Guide
14	07020613	1	Yarn Rod Unit
15	03211000	1	Binding Head Screw 2.6 × 5
16	05220611	1	Binding Head Screw 3 × 8
17	07541600	1	Round Head Countersunk Screw 3 × 7
18	07581606	2	Spring Washer 2, 3
19	08672115	4	E Snap Ring 4
20	02036002	1	Square Nut 3, 8 × 8 × 2

ACCESSORY GROUP

