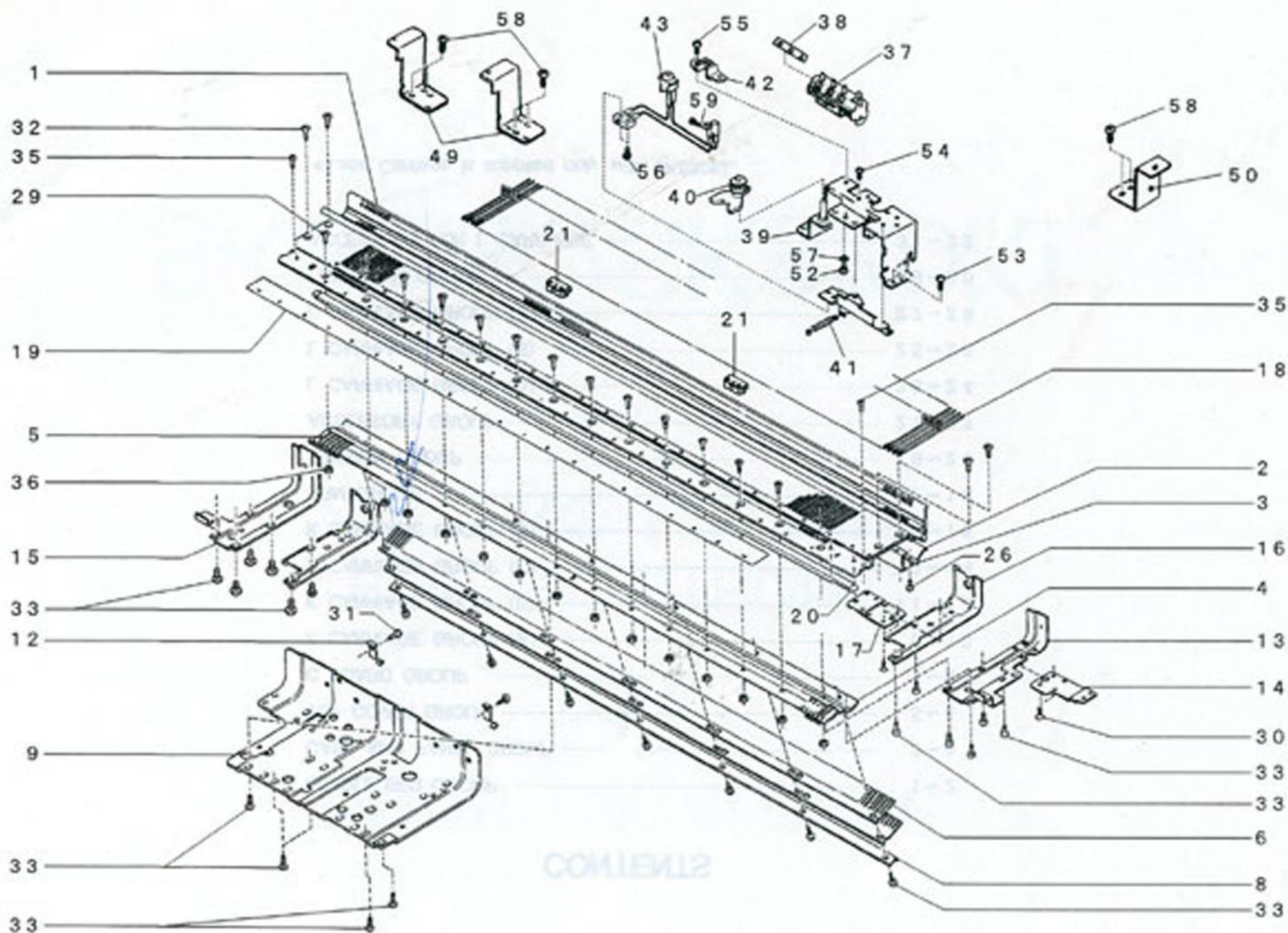


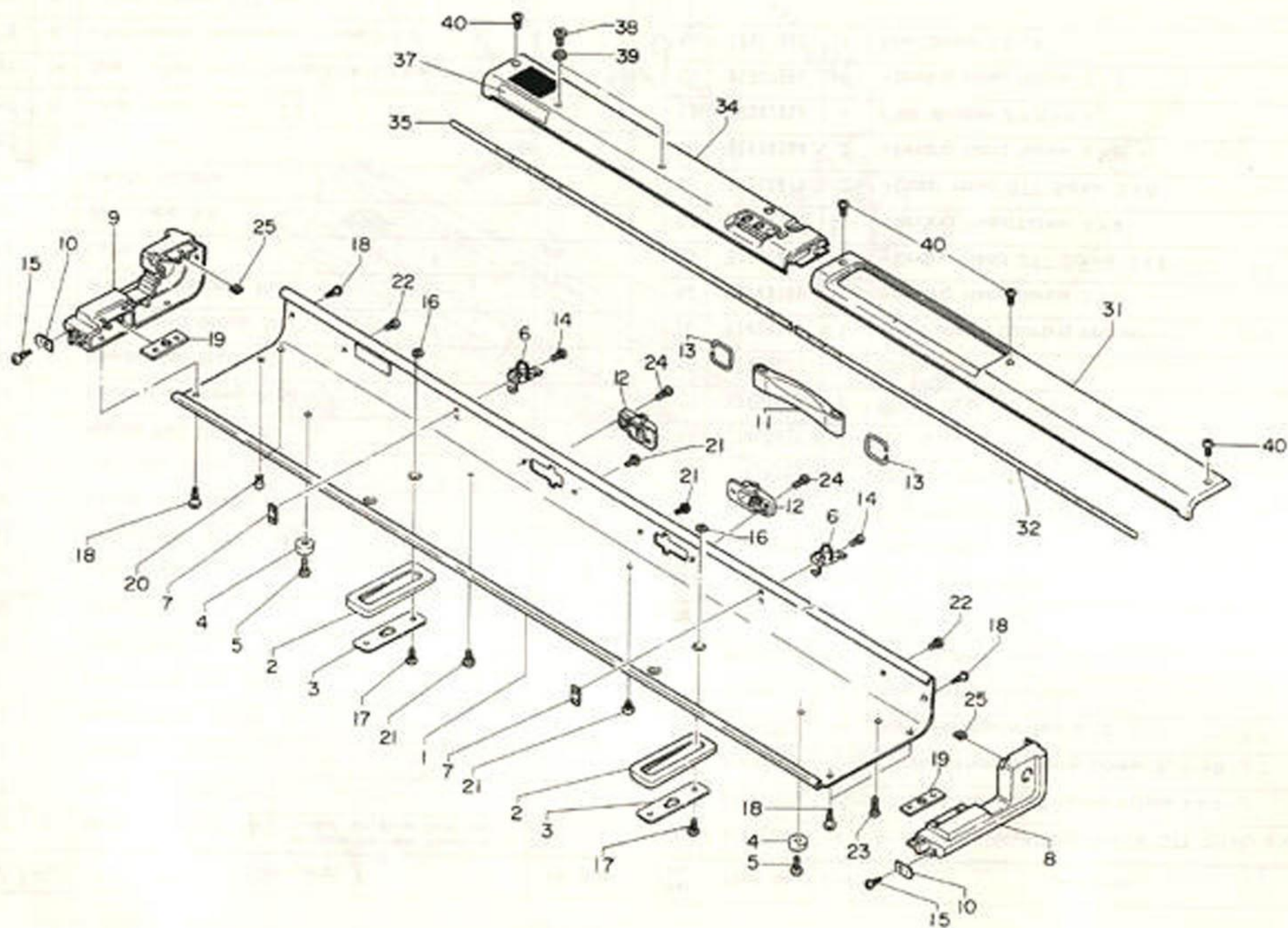
NEEDLE BED GROUP



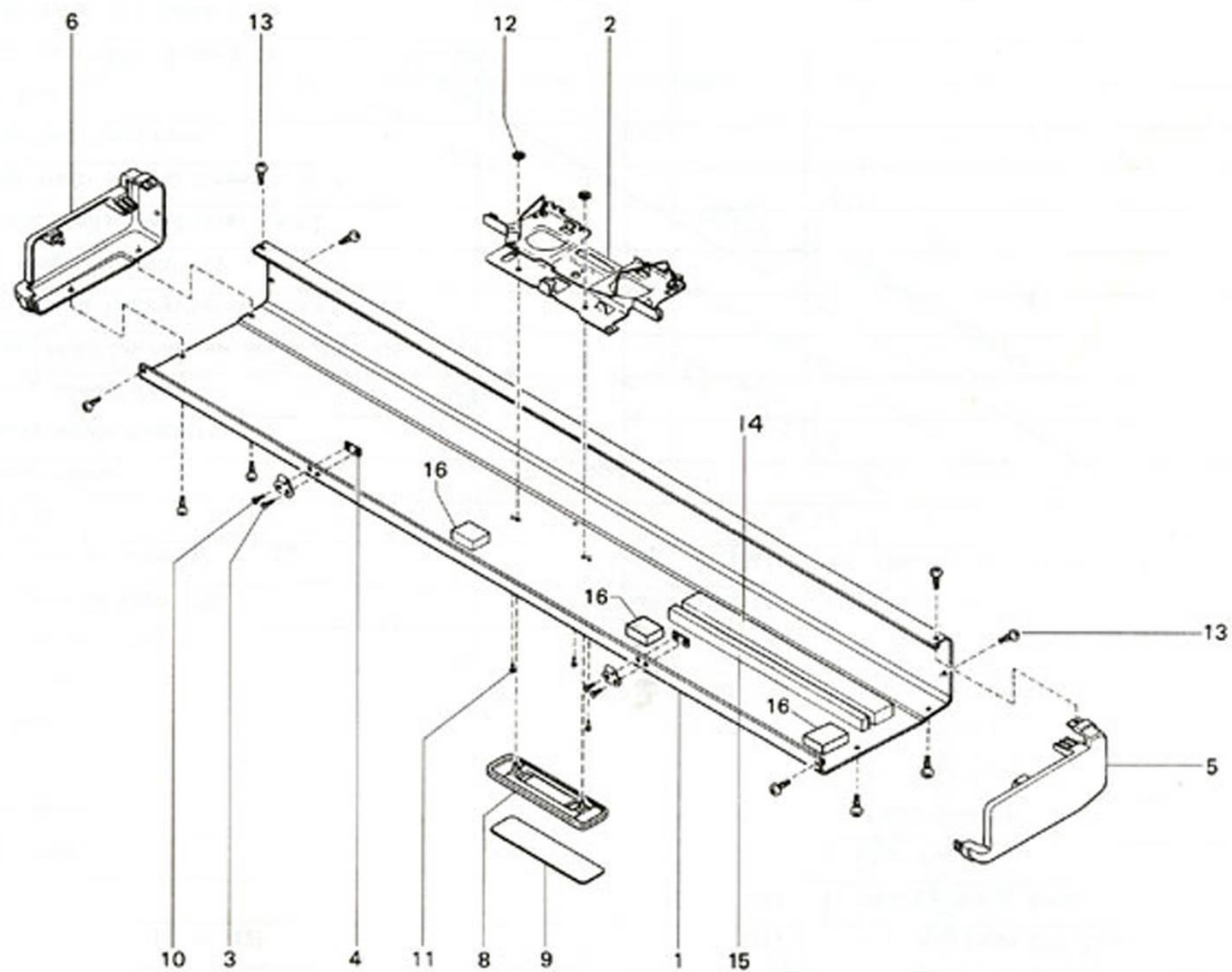
Ref. No.	Parts No.	Q'ty	Description	Unit Price
⊙	01001197	1	Needle Bed Unit No.1 (w/Supporting Plate, Needle Shank Holder, and Sinker Plate Unit)	
1	01000975	1	Needle Bed Unit No.3	
2	01001239	1	Supporting Plate	
3	11085255	1	Needle Shank Holder	
○	01001254	1	Sinker Plate Unit (No.4, 5)	
4	01001262	1	Sinker Plate	
5	01125269	126	Sinker Post	
6	01145267	2	Leaf Spring	
8	01041003	1	Fixing Band	
9	12451258	1	Needle Bed Bracer A	
12	01280619	2	Yarn Rod Spring	
13	01170612	1	Needle Bed Bracer B	
14	12401774	1	Bracer B Securing Plate	
15	12450664	1	Needle Bed Bracer C	
16	01185230	2	Needle Bed Bracer D	
17	12401790	1	Bracer D Securing Plate	
18	01135268	250	Latch Needle	
19	01225267	1	Vinyl Tape 3.6	
20	12477071	1	Needle Retainer	
21	12493193	2	Point Cam	
26	01010495	11	+Pan Head Screw 3×4	
29	01285261	14	Spec. +Flat Head Countersunk Screw 2×7	
30	12482378	4	+Flat Head Countersunk Screw 3×4	
31	04930814	2	+Binding Head STT Screw 3×5	

Ref. No.	Parts No.	Q'ty	Description
32	01292002	4	Spec. +Flat Head Countersunk STT Screw 4×10
33	03201001	28	+Binding Head CTT Guide Screw 3×8
35	01040419	2	+Binding Head Tapping Screw 2, 3×8
36	03095262	14	Spec. Hexagonal Nut 2, 2
○	12494621	1	Row Counter Assembly
37	12451480	1	Row Counter Unit
38	02236875	1	RC Window Panel
39	12450755	1	Row Counter Base
40	12450805	1	Row Feeding Cam
41	08070815	1	Row Feeding Cam Spring
42	12451183	1	KR Jack Bracket
43	12450821	1	KR Jack Unit
○	12451530	6	Shrink Tube φ2×10
49	12450672	2	KR Bracket
50	12494670	1	Top Panel Supporting Bracket
52	04740205	1	+Binding Head Screw 3×3
53	02142453	4	+Binding Head STT Screw 3×6
54	04782561	1	+Binding Head Screw 3×4
55	01910819	2	+Collar Head STT Screw 3×8
56	02810364	2	+Binding Head Screw 2×8
57	06342000	1	Plain Washer 3×8×0.5
58	05212006	6	+Binding Head Screw 3×5
59	12451449	1	Fine Screw 1.6×8

CASE AND PANEL GROUP

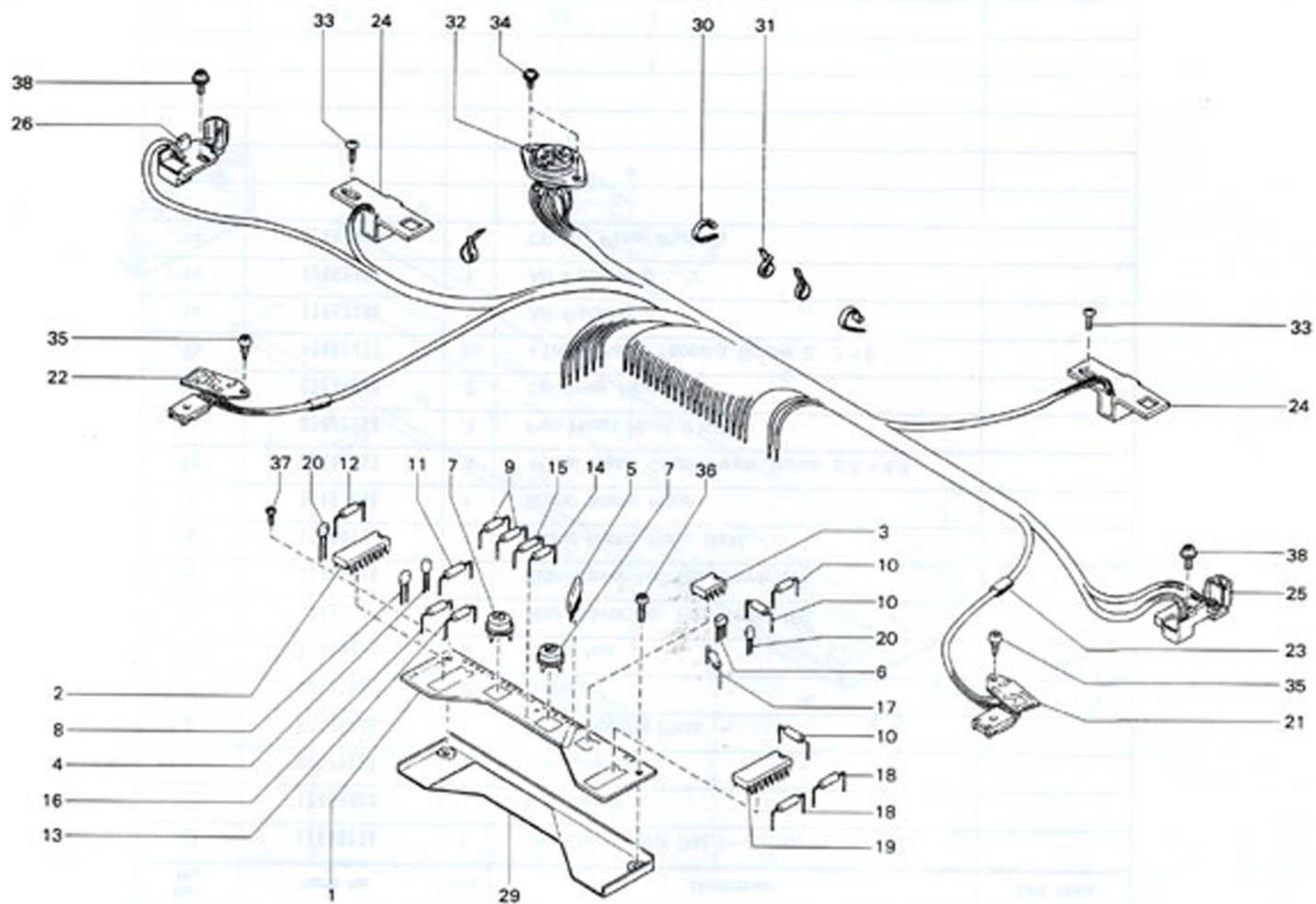


TOP COVER GROUP

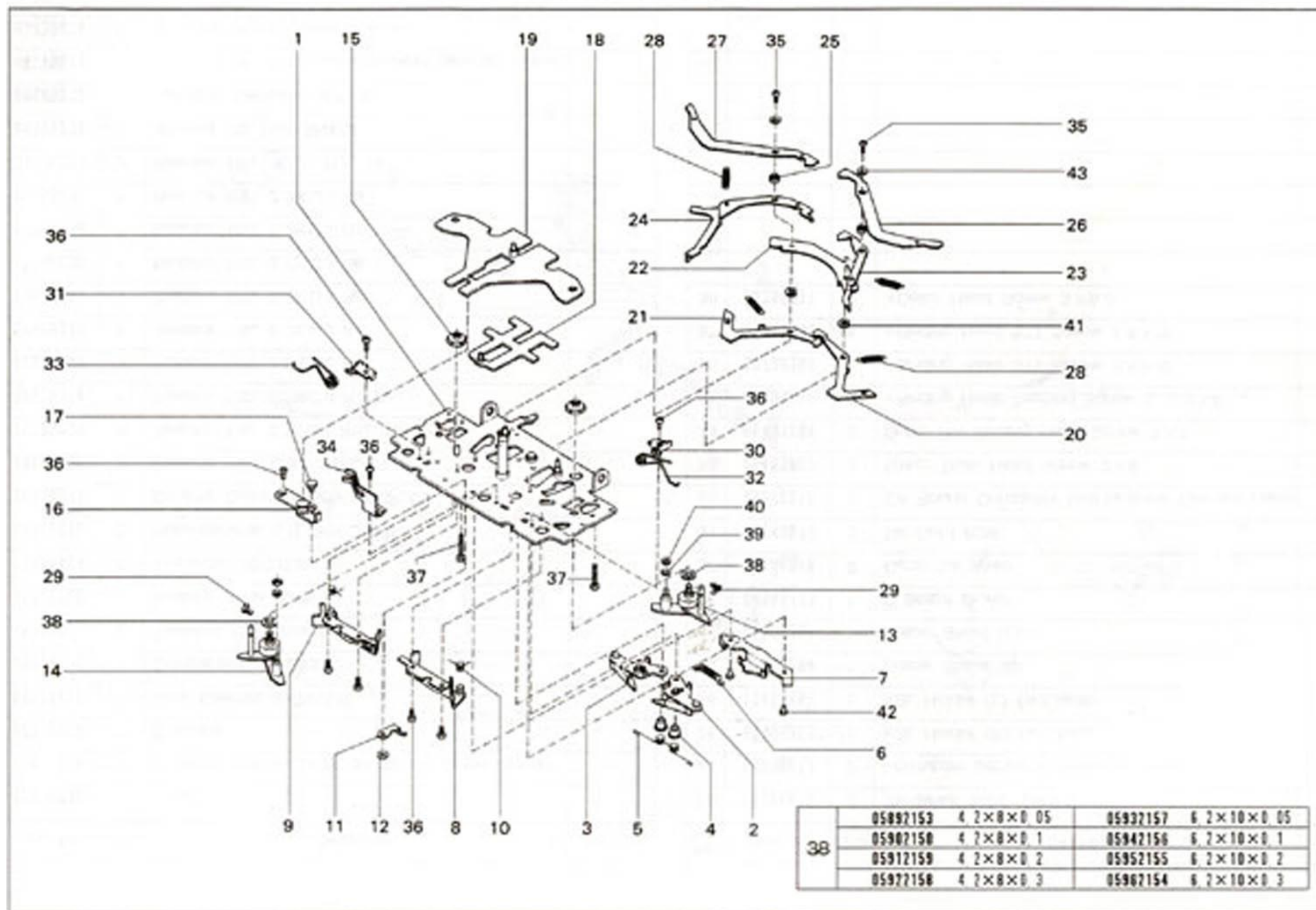


Ref. No.	Parts No.	Q'ty	Description
◎	12498234	1	Top Cover Unit (No.1~6, 10, 11, 13~16)
○	12498903	1	Top Cover
1	02271203	1	Top Cover
2	02295236	1	BTA Securing Plate
3	02331205	2	Latch
4	02341204	2	Latch Nut
5	12402111	1	Side Cover for Top Cover (R)
6	12402129	1	Side Cover for Top Cover (L)
8	12480927	1	Brand Name Plate Base
9	12487666	1	Brand Name Plate
10	02442267	4	+Oval Head Countersunk Screw 2.6×4.5
11	02472264	3	Pan Head Rivet 2×3
12	02221000	2	CS Snap Ring 3
13	12482477	10	+Truss Head Tapping Screw 2, 3×6
14	12452140	1	AB Packing A
15	12452157	1	AB Packing B
16	12482469	3	CR KR Panel Packing

C BOARD GROUP



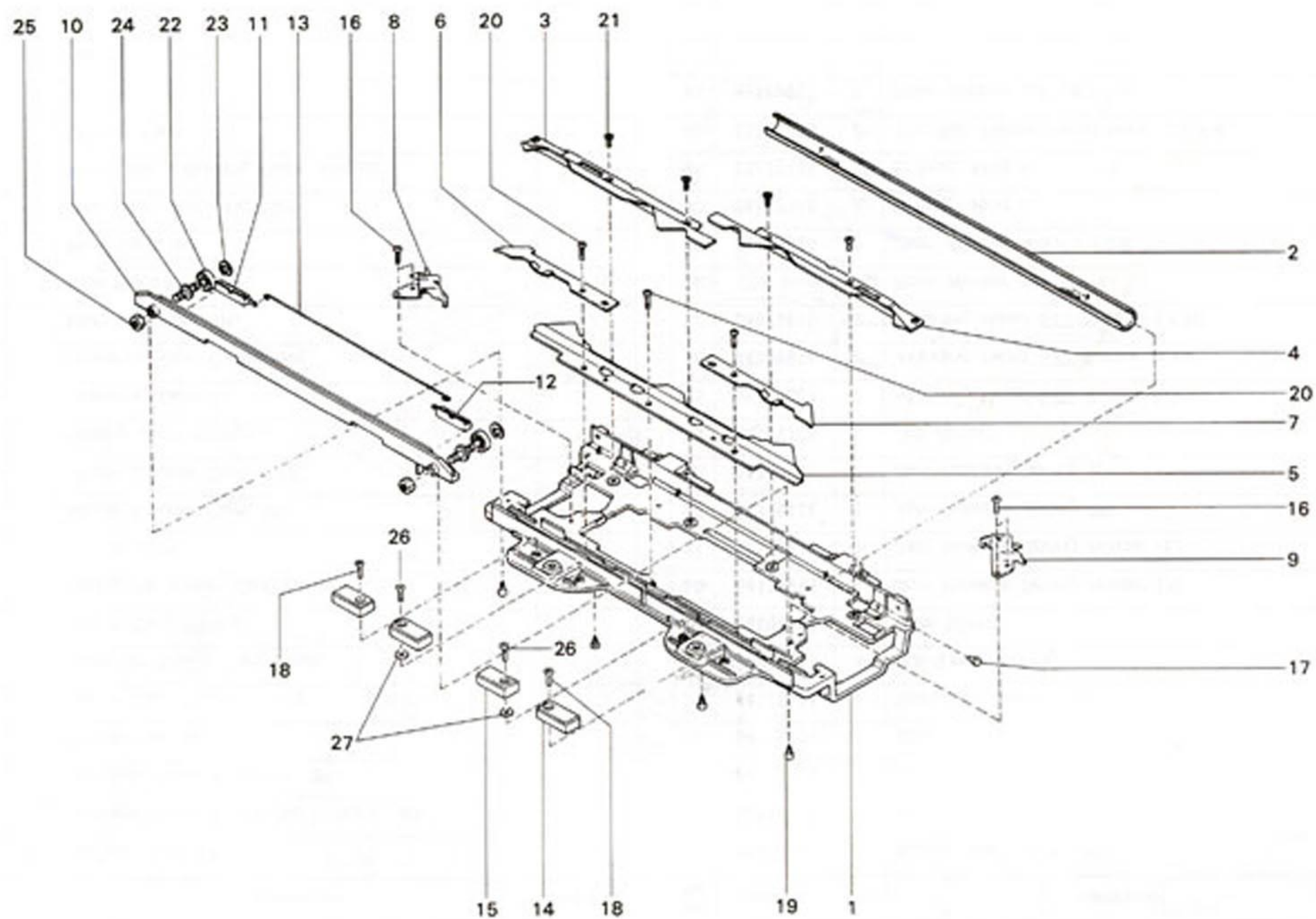
K CARRIAGE GROUP (A)



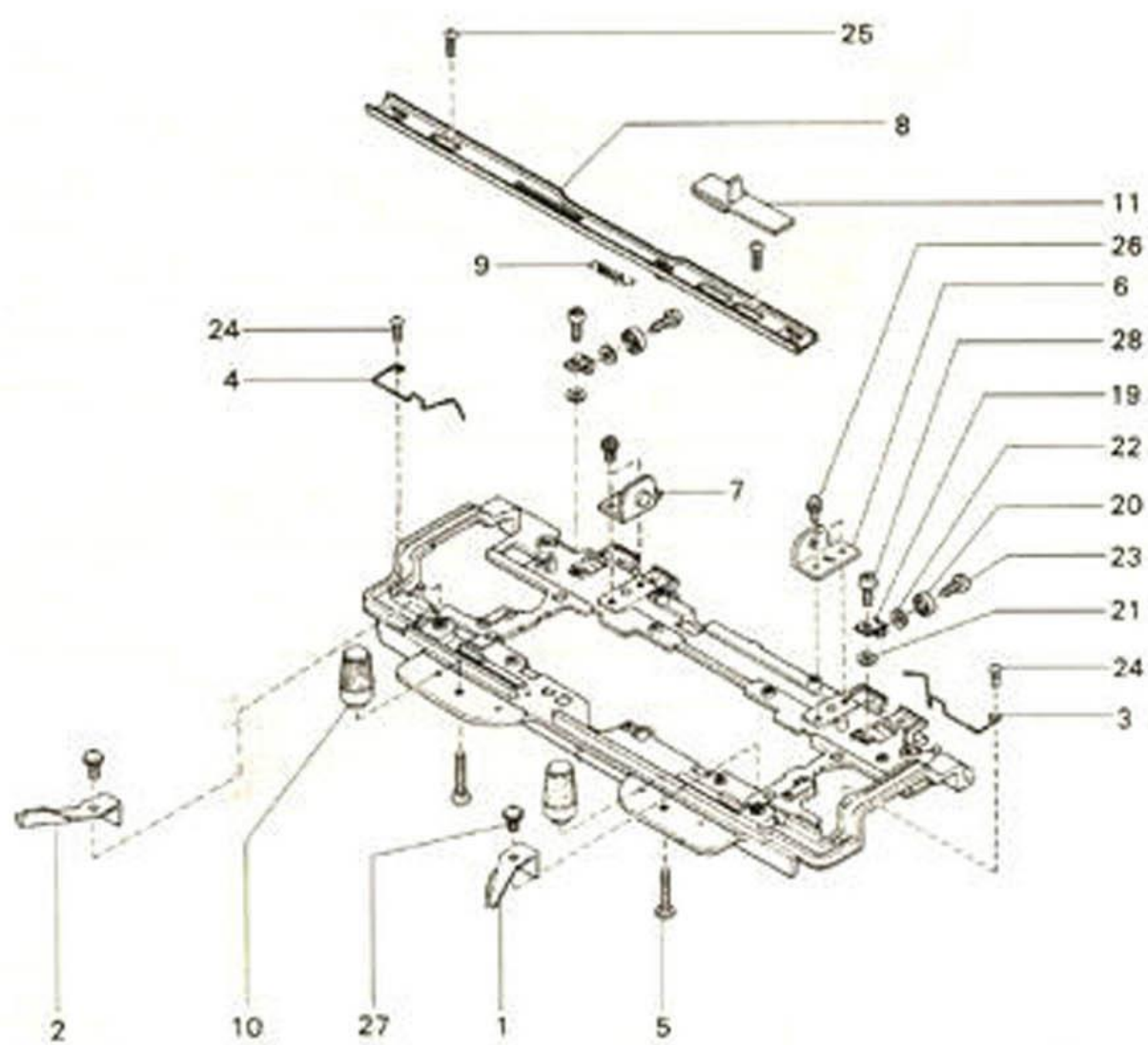
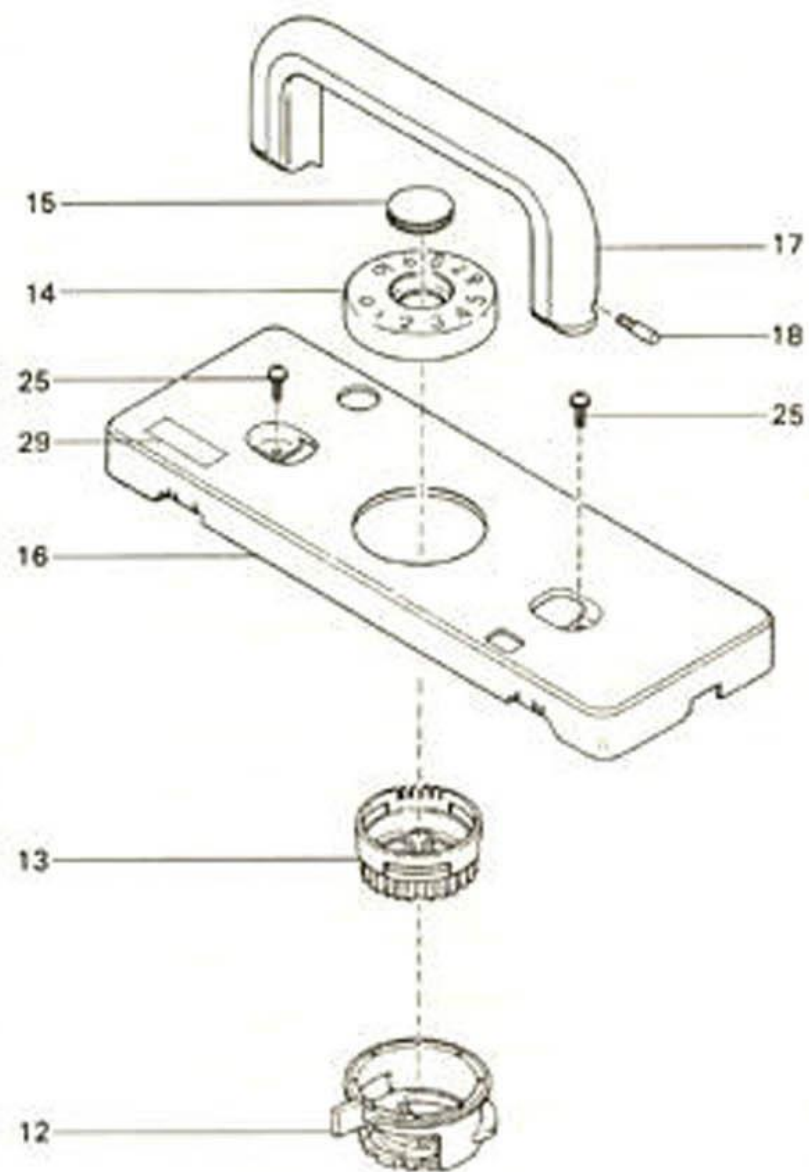
Ref. No.	Parts No.	Q'ty	Description	Unit Price
⊙	01013382	1	Carriage Unit (A-D)	
○	01001056	1	Carriage Plate A Unit No.1 (No.1~43)	
1	01001064	1	Carriage Plate A Unit No.2	
2	14081004	1	Knit-in Cam (R)	
3	14091003	1	Knit-in Cam (L)	
4	04161006	2	Rivet for Knit-in Cam Base	
5	04171005	1	Knit-in Cam Spring	
6	04181004	1	Spring for Knit-in Cam Base	
7	04191003	1	Center Cam	
8	14011209	1	Middle Course Cam (R)	
9	14021208	1	Middle Course Cam (L)	
10	04351003	2	Raising Cam Spring	
11	04301206	1	Lowering Cam C	
12	04711206	1	Lowering Cam C Stopper	
13	04105268	1	Main Cam Unit (R)	
14	04115267	1	Main Cam Unit (L)	
15	04471009	2	Main Cam Nut	
16	04160818	1	Main Cam Adjusting Plate	
17	14511000	1	Main Cam Adjusting Plate Stopper	
18	04521001	1	Moving Plate	
19	04555264	1	Travelling Plate	
20	04050613	1	Sub Lever (R)	
21	04060612	1	Sub Lever (L)	
22	04070611	1	Sub Lever Guide	

Ref. No.	Parts No.	Q'ty	Description
23	04080610	1	Raising Cam Lever (R)
24	04090619	1	Raising Cam Lever (L)
25	04100616	2	Sub Lever Collar
26	04110615	1	Side Cam Lever A (R)
27	04120614	1	Side Cam Lever A (L)
28	04720611	4	Sub Lever Spring
29	04681003	2	Cam Spring
30	04130613	1	Jam Release Spring Holder (R)
31	04140612	1	Jam Release Spring Holder (L)
32	04790614	1	Jam Release Spring (R)
33	04800611	1	Jam Release Spring (L)
34	04056776	1	Dial Spring
35	05701602	2	+Binding Head STT Screw 2.5×6
36	04930814	8	+Binding Head STT Screw 3×5
37	04920815	2	+Binding Head STT Screw 3×16
38	See Inset	conditional	Plain Washer
39	04770814	2	Plain Washer 4.3×8×0.8
40	08662116	2	E Snap Ring 3
41	08672115	2	E Snap Ring 4
42	05791009	2	Thin Flat Filister Head Rivet 2.6×4
43	05200613	2	Plain Washer 2.6×8×0.8

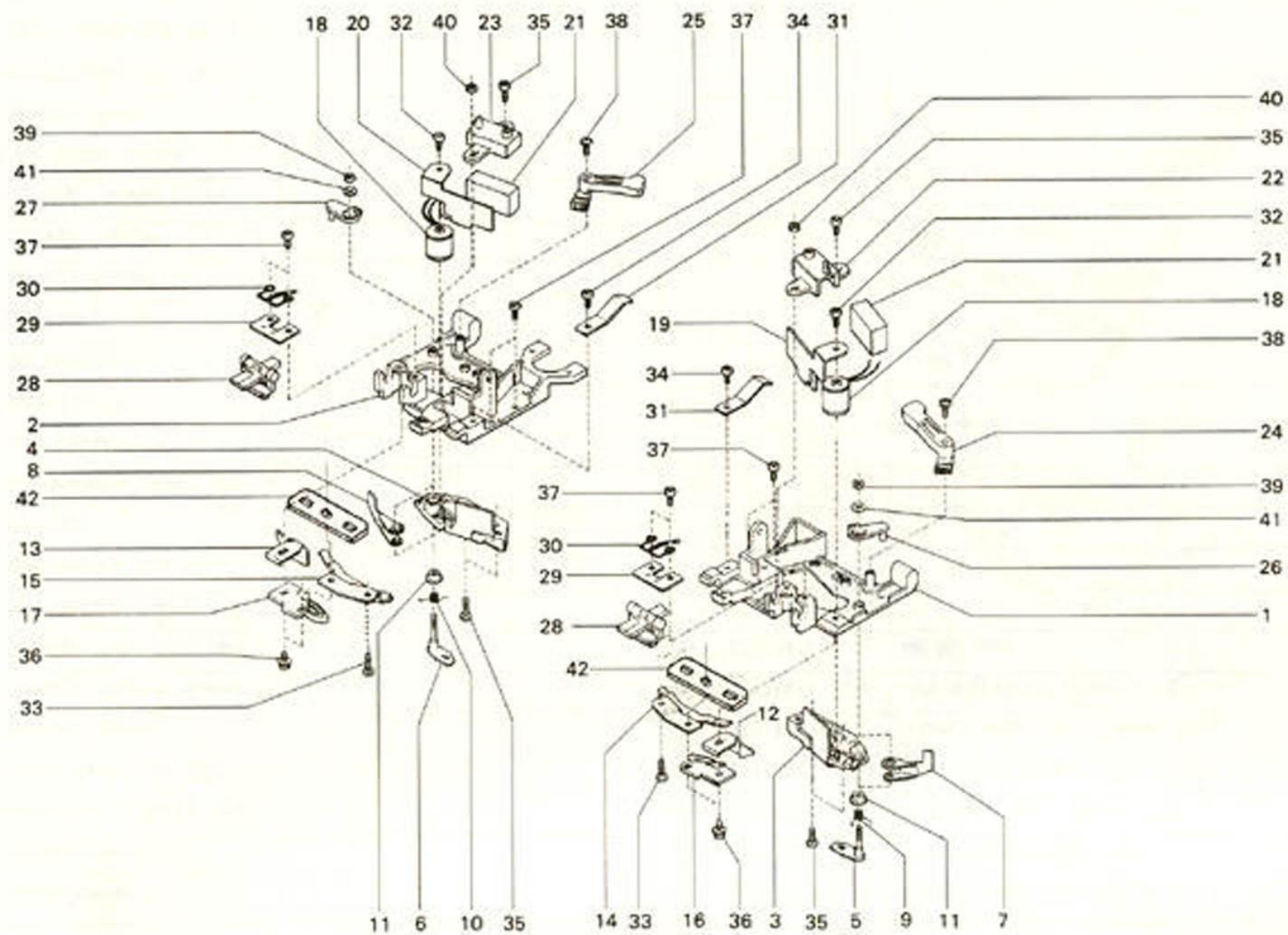
K CARRIAGE GROUP (B)



K CARRIAGE GROUP (C)



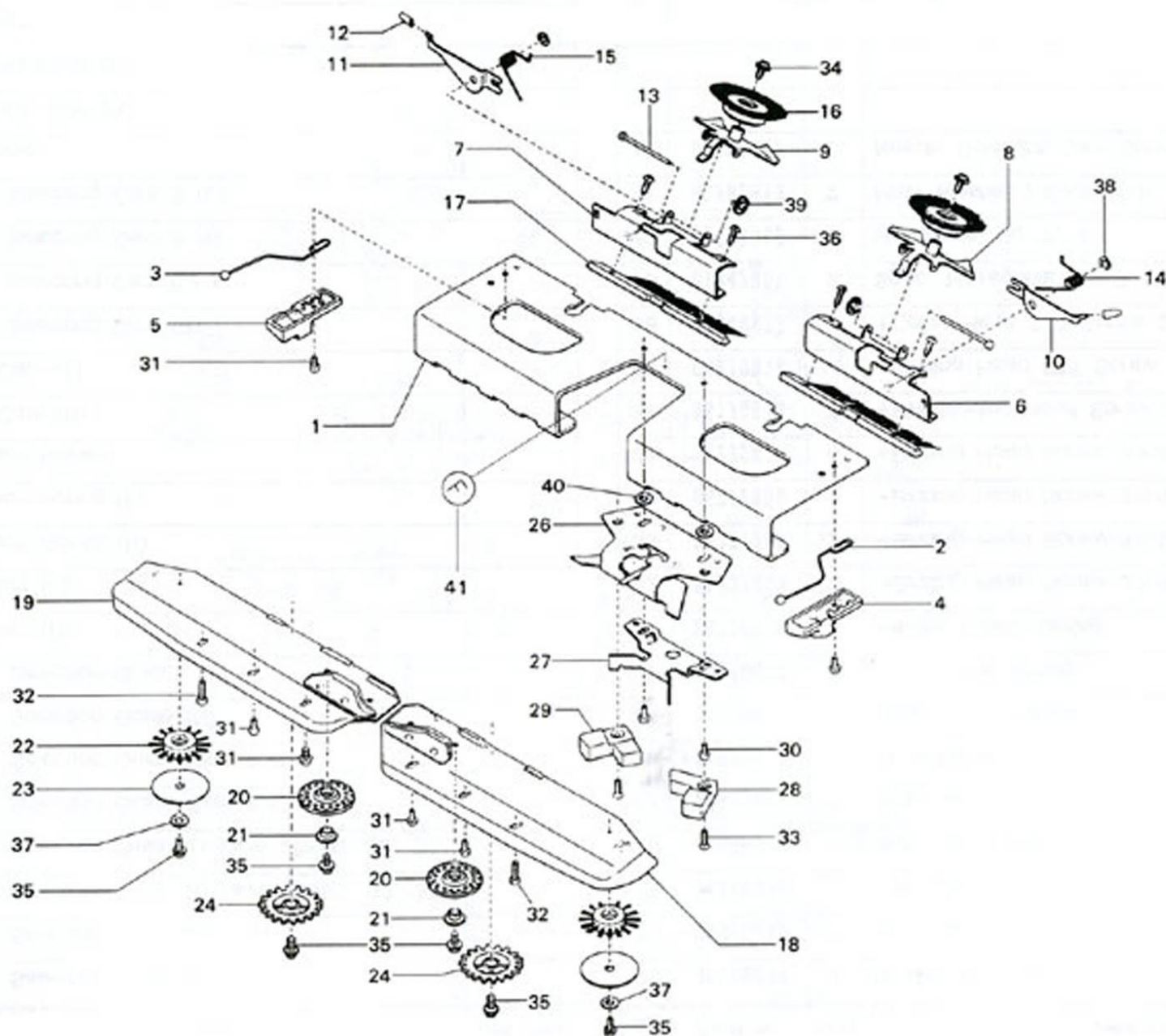
K CARRIAGE GROUP (D)



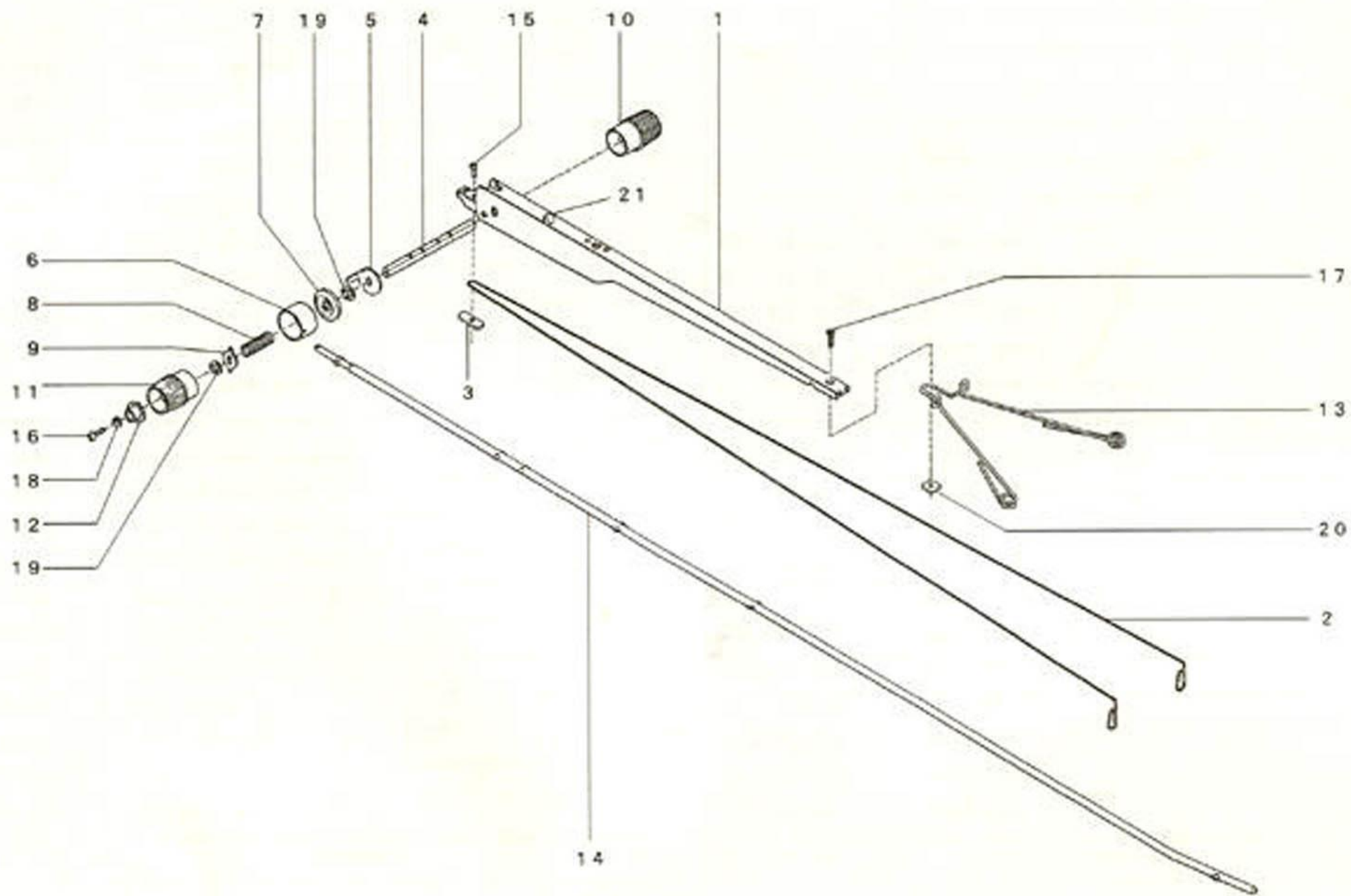
Ref. No.	Parts No.	Q'ty	Description	Unit Price
○	01001072	1	Needle Selection Base Unit (R)	
○	01001080	1	Needle Selection Base Unit (L)	
1	04380614	1	Needle Selection Base (R) (w/o 28-30, 32, 37)	
2	04390613	1	Needle Selection Base (L) (w/o 28-30, 32, 37)	
3	01001098	1	Needle Selection Guide Cam A (R)	
4	01001106	1	Needle Selection Guide Cam A (L)	
5	04420618	1	Needle Selection Guide (R)	
6	04430617	1	Needle Selection Guide (L)	
7	04400610	1	Side Cam (R)	
8	04410619	1	Side Cam (L)	
9	04480612	1	Side Cam Spring (R)	
10	04490611	1	Side Cam Spring (L)	
11	04470613	2	Side Cam Holder	
12	04500617	1	Guide Cam (R)	
13	04510616	1	Guide Cam (L)	
14	04565230	1	Needle Selecting Cam (R)	
15	04575239	1	Needle Selecting Cam (L)	
16	04540613	1	Needle Selecting Cam B (R)	
17	04550612	1	Needle Selecting Cam B (L)	
18	04630612	2	S Solenoid	
19	04600615	1	S Magnet Plate (R)	
20	04610614	1	S Magnet Plate (L)	
21	04620613	2	S Magnet	
22	04640611	1	S Magnet Case (R)	

Ref. No.	Parts No.	Q'ty	Description
23	05160619	1	S Magnet Case (L)
24	04650610	1	Side Cam Lever B (R)
25	04660619	1	Side Cam Lever B (L)
26	04670618	1	Side Cam Lever C (R)
27	04680617	1	Side Cam Lever C (L)
28	04690616	2	Lock Lever
29	04700613	2	Lock Lever Presser
30	04710612	2	Lock Lever Spring
31	04730818	2	Handle Holder Spring
32	01332006	2	+Binding Head Screw 3×6
33	02221208	2	+Binding Head Screw 3×12
34	05212006	2	+Binding Head Screw 3×5
35	05220611	6	+Binding Head Screw 3×6
36	05170618	4	+PW Binding Head Screw 3×10
37	04910816	10	+Binding Head STT Screw 3×7
38	05340617	2	+Collar Head STT Screw 2.5×6
39	01342005	2	Spec. Hexagonal Nut 2, 2.6
40	02521060	2	Hexagonal Nut 2, 3
41	05200613	2	Plain Washer 2.6×8×0.8
42	01001452	2	Needle Selecting Cam Spacer

ARM GROUP

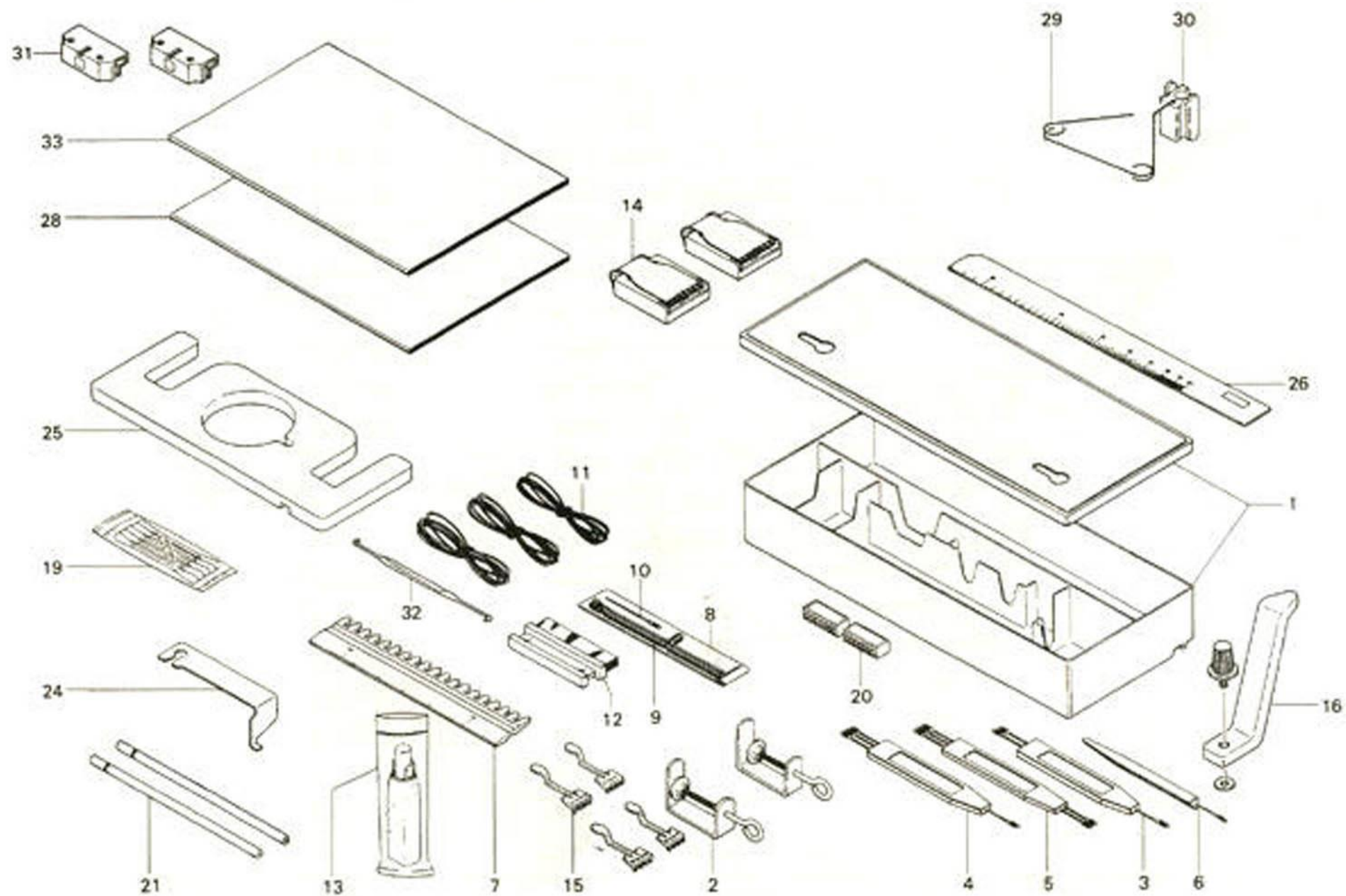


TENSION GROUP

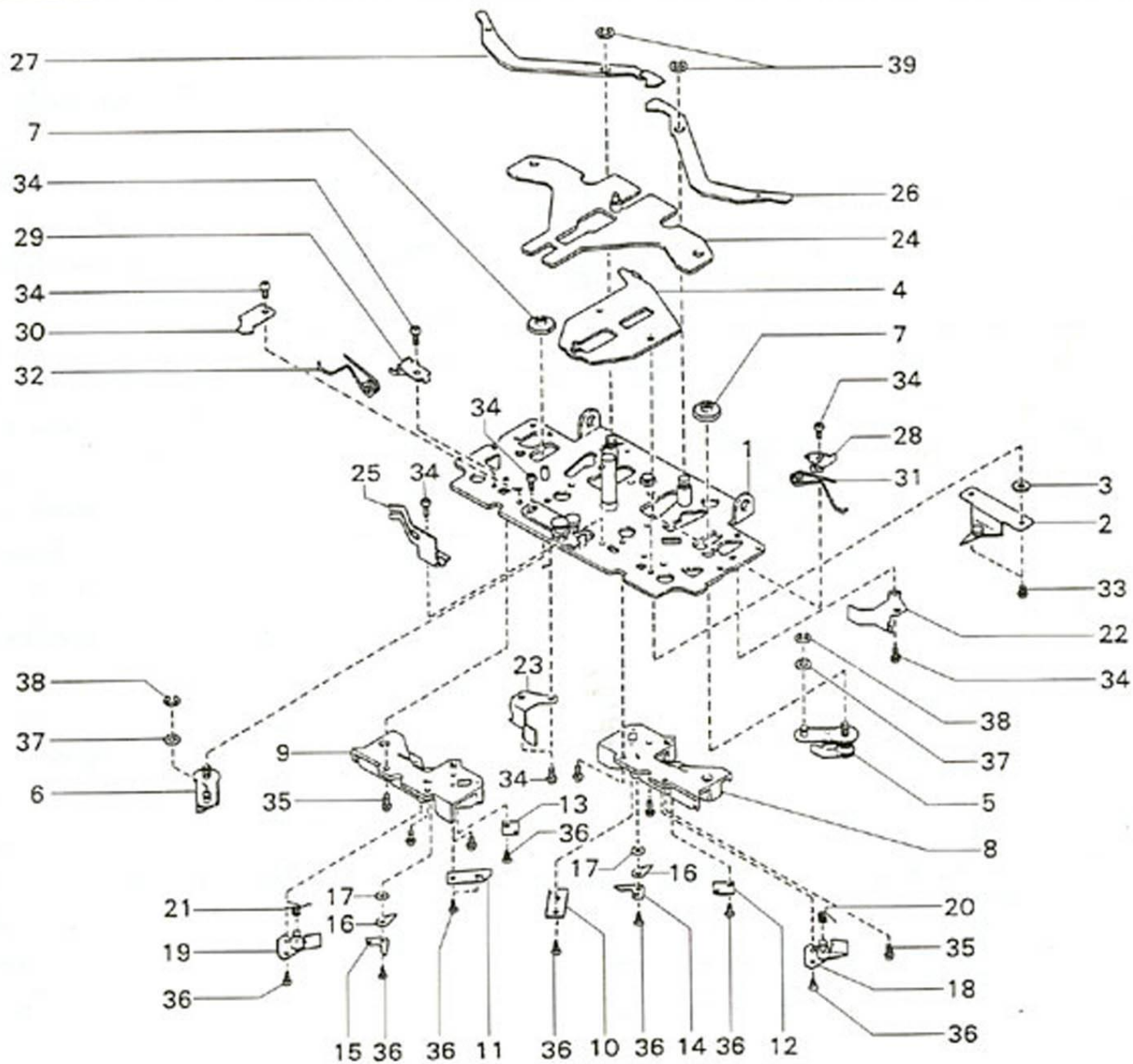


Ref. No.	Parts No.	Q'ty	Description
○	12487773	1	Tension Unit (No.1~13, 15, 20)
1	07022007	1	Tension Arm
2	17182007	1	Tension Spring
3	07021009	1	Tension Spring Securing Plate
4	07051600	1	Tension Shaft
5	07112006	2	Tension Stopper Plate
6	07082001	2	Tension Disc A
7	07092000	2	Tension Disc B
8	07135262	2	Tension Disc Spring
9	07111602	2	Tension Disc Spring Stopper
10	07071608	1	Tension Dial (R)
11	07081607	1	Tension Dial (L)
12	07151608	2	Dial Stopper
13	07141609	1	V-Shaped Yarn Guide
14	07020613	1	Yarn Rod Unit
15	03211000	1	+Binding Head Screw 2.6×5
16	05220611	2	+Binding Head Screw 3×8
17	07541600	1	+Round Head Countersunk Screw 3×7
18	07581606	2	Spring Washer 2, 3
19	08672115	4	E Snap Ring 4
20	02036002	1	Square Nut 3, 8×8×2
21	12493987	1	F Mark Seal

ACCESSORY GROUP



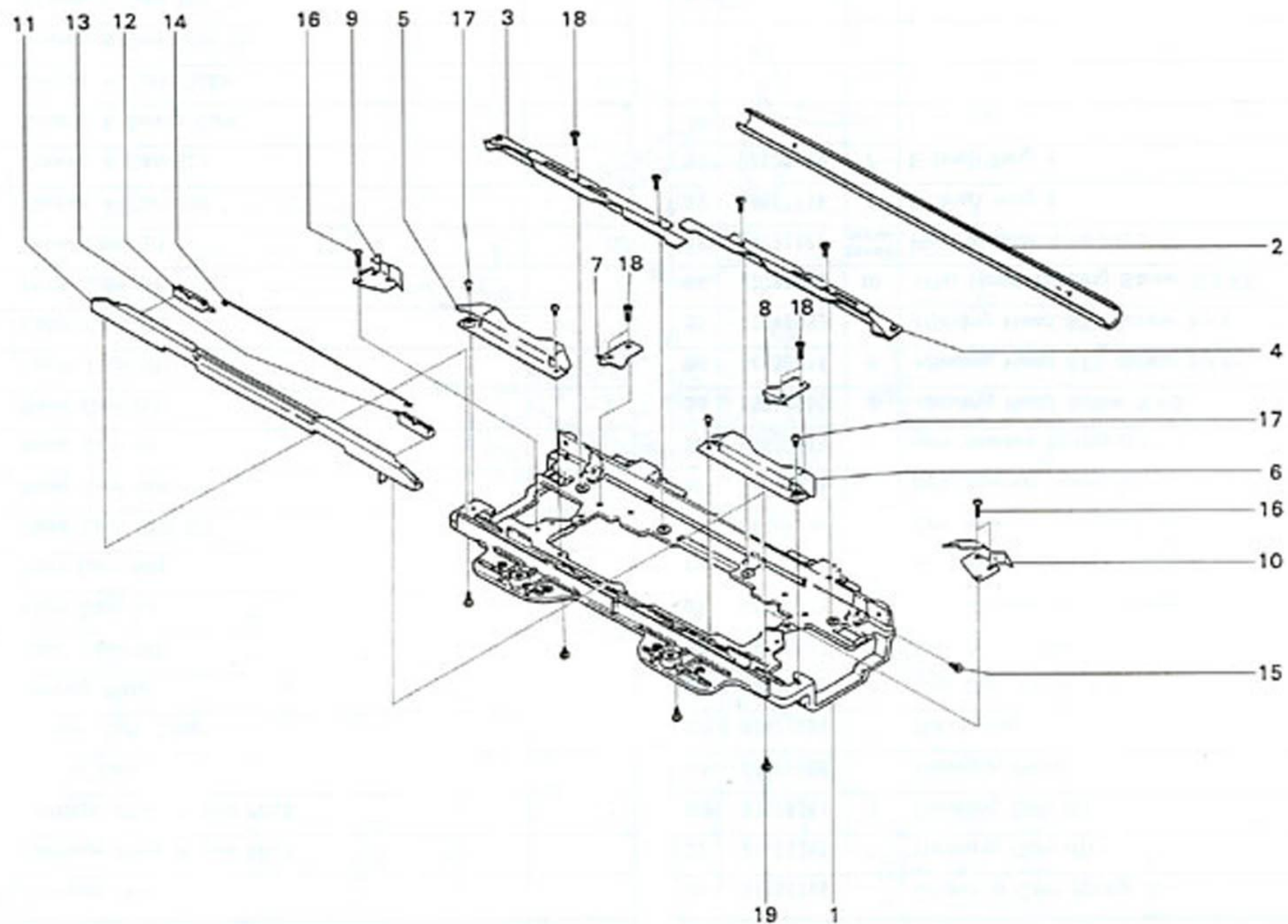
L CARRIAGE GROUP (A)



Part No.	Parts No.	Q'ty	Description	Unit Price
⊙	01013515	1	Carriage Unit	
○	04015244	1	Carriage Plate A Unit No.1	
1	05995246	1	Carriage Plate A Unit No.2	
2	01050368	1	Center Cam	
3	01090364	2	Center Cam Collar	
4	04525242	1	Moving Plate	
5	02530368	1	Main Cam (R)	
6	02540367	1	Main Cam (L)	
7	01280361	2	Main Cam Nut	
○	01295278	1	Base Cam Unit (R)	
○	01305275	1	Base Cam Unit (L)	
8	01310366	1	Base Cam (R)	
9	01320365	1	Base Cam (L)	
10	01330364	1	Latch Cam (R)	
11	01340363	1	Latch Cam (L)	
12	01350362	1	Hook Cam (R)	
13	01360361	1	Hook Cam (L)	
14	01375278	1	Course A Cam (R)	
15	01385277	1	Course A Cam (L)	
16	01390368	2	Course A Swing Cam	
17	01405273	2	Course A Cam Collar	
18	01410364	1	Course B Cam Unit (R)	
19	01420363	1	Course B Cam Unit (L)	
20	01480367	1	Course B Cam Spring (R)	

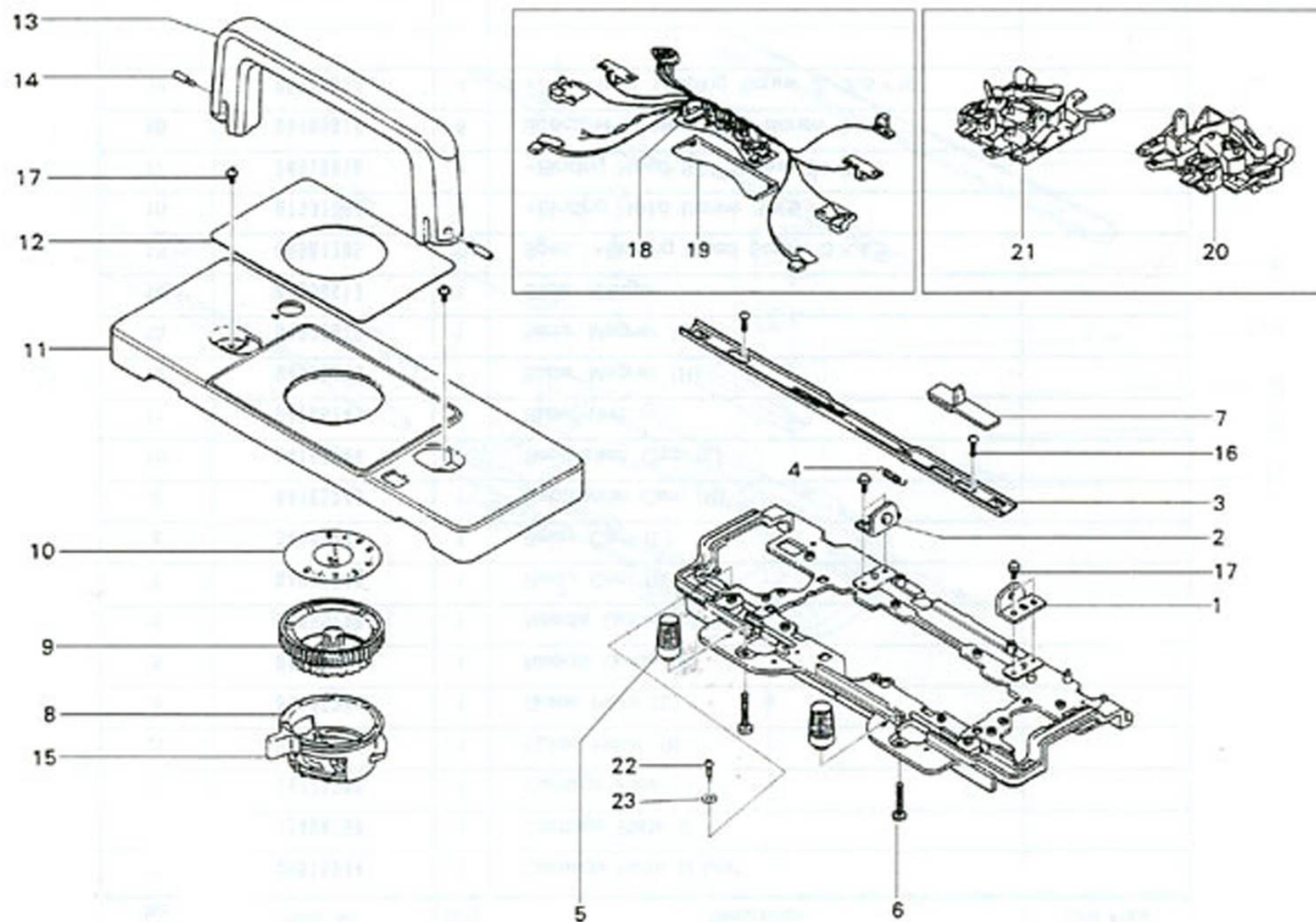
Ref. No.	Parts No.	Q'ty	Description
21	01490366	1	Course B Cam Spring (L)
22	01500362	1	Thrusting Cam (R)
23	01510361	1	Thrusting Cam (L)
24	04551008	1	Travelling Plate
25	04671004	1	Dial Spring
26	04110615	1	Side Cam Lever A (R)
27	04120614	1	Side Cam Lever A (L)
28	04130613	1	Jam Release Spring Holder (R)
29	04140612	1	Jam Release Spring Holder (L)
30	04065249	1	Jam Release Stopper Plate
31	04790614	1	Jam Release Spring (R)
32	04800611	1	Jam Release Spring (L)
33	05212006	2	+Binding Head Screw 3×5
34	04930814	9	+Binding Head STT Screw 3×5
35	02142453	6	+Binding Head STT Screw 3×6
36	02780369	10	+Flat Head Tapping Screw 2.3×8
37	04771002	conditional	Plain Washer 4×8×0.5
38	08662116	2	E Snap Ring 3
39	08672115	2	E Snap Ring 4

L CARRIAGE GROUP (B)



Ref. No.	Parts No.	Q'ty	Description
○	05915244	1	Carriage Plate B Unit
1	12404158	1	Carriage Plate B
2	14271209	1	Carriage Pipe
3	04265245	1	Guide Plate (R)
4	05125240	1	Guide Plate (L)
5	04045241	1	Needle Guide (R)
6	04055240	1	Needle Guide (L)
7	04075248	1	Relay Cam (R)
8	04085247	1	Relay Cam (L)
9	04185245	1	Separation Cam (R)
10	04195244	1	Separation Cam (L)
11	04285243	1	Slider Unit
12	04320610	1	Slider Magnet (R)
13	04330619	1	Slider Magnet (L)
14	04350617	1	Slider Hanger
15	04981205	2	Spec. +Binding Head Screw 3×4.5
16	01332006	4	+Binding Head Screw 3×6
17	04910816	4	+Binding Head STT Screw 3×7
18	05190616	8	Spec. +Flat Head STT Screw 3×6
19	05861000	4	+Pan Head Tapping Screw 2, 2.6×10

L CARRIAGE GROUP (C)

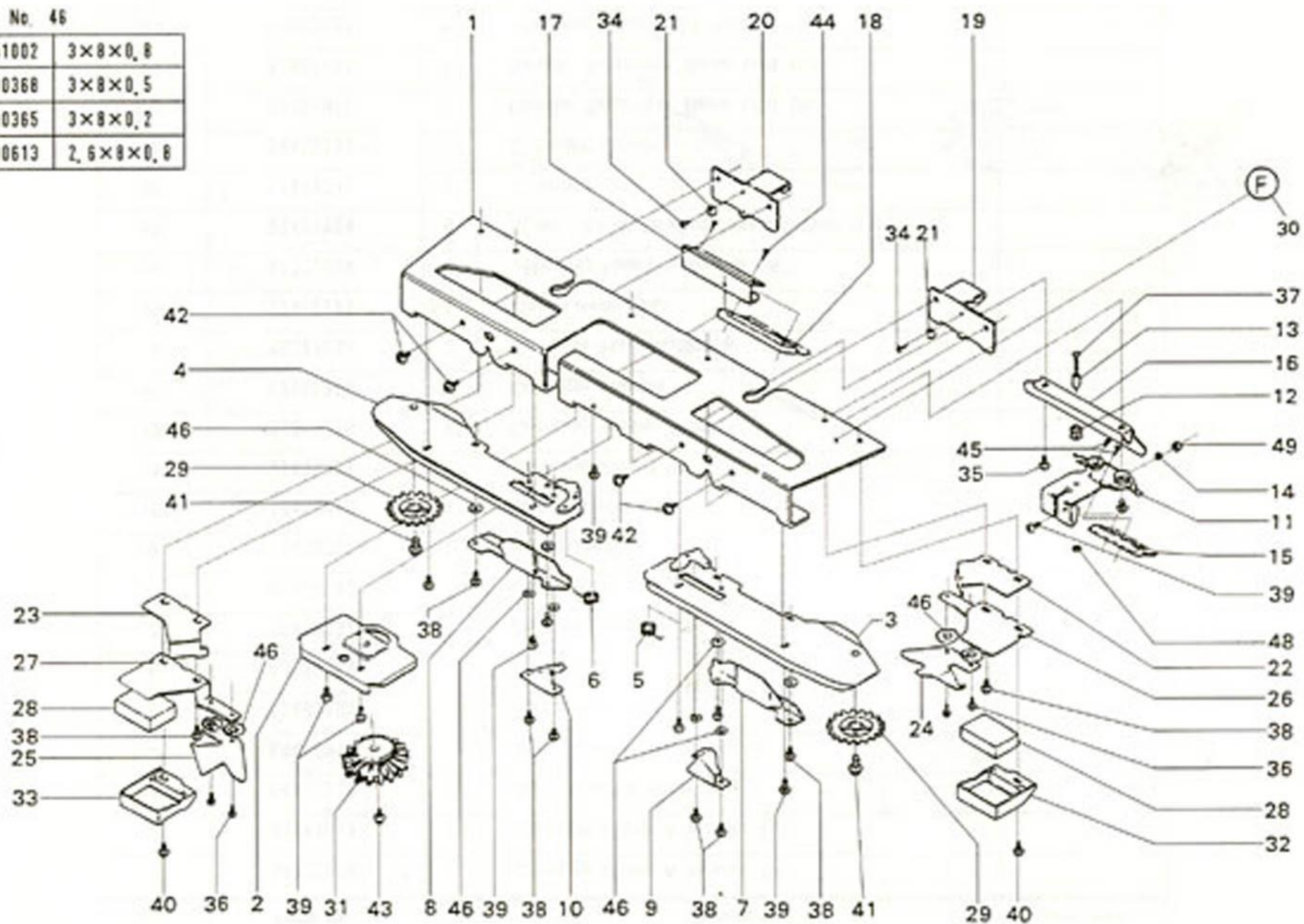


Ref. No.	Parts No.	Q'ty	Description
1	04730610	1	Carriage Plate A Holder (R)
2	04740619	1	Carriage Plate A Holder (L)
3	04810610	1	Jam Release Plate
4	04410817	1	Jam Release Plate Spring
5	12480661	2	Arm Nut
6	01610369	2	Arm Nut Screw
7	12400297	1	Jam Release Lever
8	05015243	1	Cam Lever
9	12400305	1	Stitch Dial
10	12456349	1	Dial Indicator
11	12456364	1	Carriage Cover
12	01013226	1	Carriage Cover Panel
13	12400255	1	Carriage Handle
14	05741004	2	Carriage Handle Screw
15	12400289	1	Cam Lever Cap
16	01332006	2	+Binding Head Screw 3×6
17	06401004	6	Spec. ±PW Binding Head Screw 3×7
18	12474375	1	C Board Unit
19	04955233	1	C Board Cover
20	01001072	1	Needle Selection Base Unit (R)
21	01001080	1	Needle Selection Base Unit (L)
22	96003421	1	+Binding Head STT Screw 3×10
23	02372001	1	Plain Washer 3.2×10×1

LACE ARM GROUP

Ref. No. 46

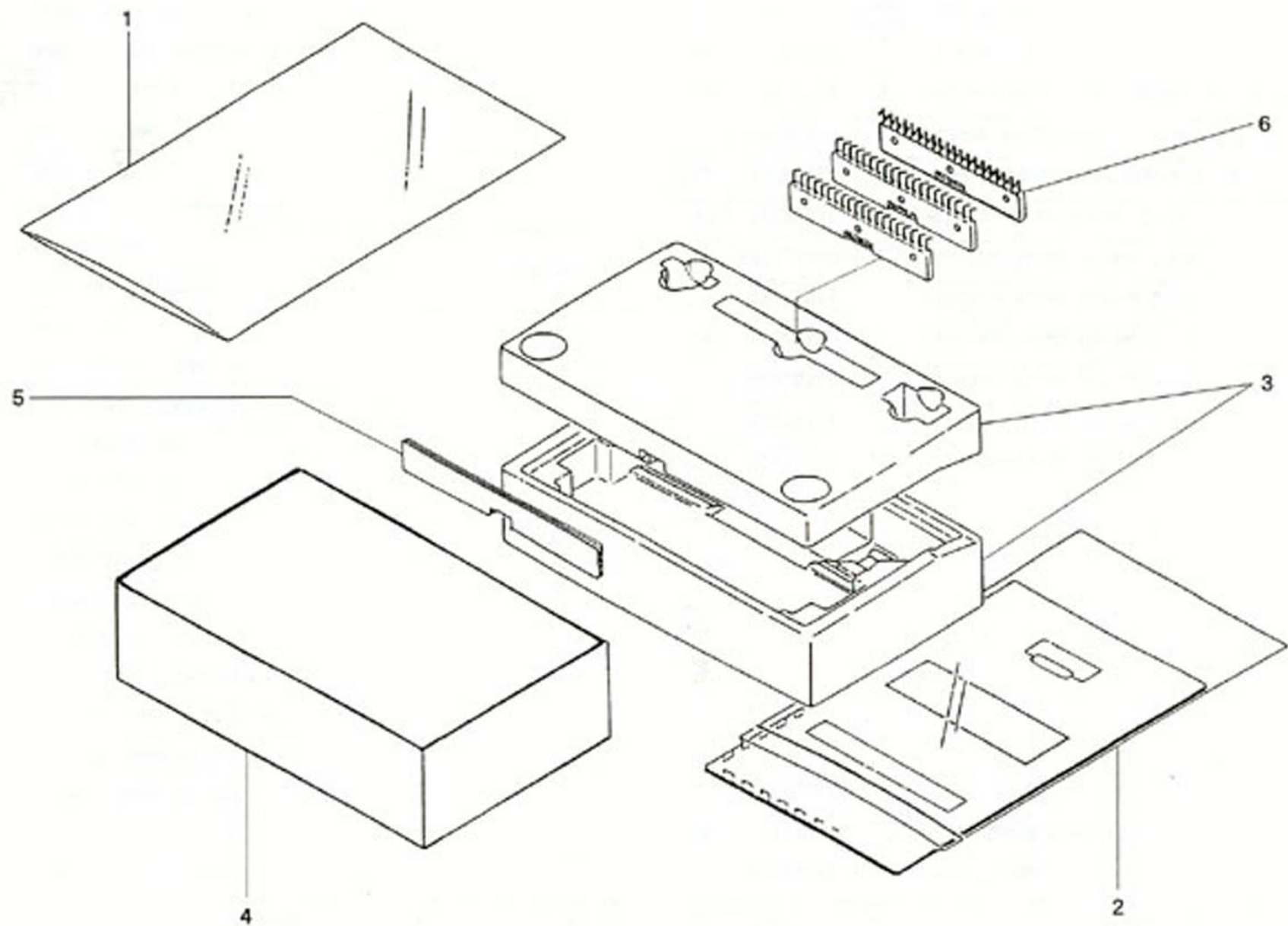
06341002	3×8×0,8
02790368	3×8×0,5
02800365	3×8×0,2
05200613	2,6×8×0,8



Ref. No.	Parts No.	Q'ty	Description	Unit Price
○	01013234	1	Lace Arm Complete	
1	01770361	1	Arm	
2	01780360	1	Fabric Presser A Unit	
3	01905272	1	Fabric Presser B Unit No.2 (R)	
4	01915271	1	Fabric Presser B Unit No.2 (L)	
5	01890367	1	Lifting Cam C Spring (R)	
6	01900364	1	Lifting Cam C Spring (L)	
7	01915248	1	Lifting Cam A (R)	
8	01925247	1	Lifting Cam A (L)	
9	01935279	1	Return Cam (R)	
10	01945278	1	Return Cam (L)	
11	01960368	1	Yarn Feeder No.2	
12	02010361	1	Yarn Feeder Roller A	
13	02020360	1	Yarn Feeder Collar A	
14	02030369	1	Yarn Guide	
15	02645521	1	Yarn Feeder Brush	
16	02650364	1	Yarn Feeder Guide	
17	02660363	1	Yarn Feeder Brush Holder	
18	02670362	1	Clearing Brush	
19	01013242	1	Bending Cam (R)	
20	01013259	1	Bending Cam (L)	
21	02100360	2	Bending Cam Adjusting Collar	
22	02125276	1	Latch Guide (R)	
23	02135275	1	Latch Guide (L)	
24	02680361	1	Loop Guide (R)	

Ref. No.	Parts No.	Q'ty	Description
25	02690360	1	Loop Guide (L)
26	02150365	1	Loop Guide Base (R)
27	02160364	1	Loop Guide Base (L)
28	02170363	2	Latch Magnet
29	06255269	2	Fabric Gear
30	12493987	1	F Mark Seal
31	03130366	1	Center Round Brush
32	06110431	1	Latch Magnet Cover (R)
33	06120430	1	Latch Magnet Cover (L)
34	02740363	2	+Pan Head Screw 2×4
35	02750362	2	+Pan Head Screw 3×3.5
36	02710366	4	+Binding Head Screw 2×3
37	02810364	1	+Binding Head Screw 2×8
38	04782561	10	+Binding Head Screw 3×4
39	05212006	8	+Binding Head Screw 3×5
40	01332006	2	+Binding Head Screw 3×6
41	08030611	2	+Collar Head Screw 3×5
42	02730364	4	+PW Binding Head Screw 3×6
43	06290811	1	+Collar Head Screw 3×6.5
44	04970208	2	+Round Head Tapping Screw 2.3×6
45	02780369	2	+Flat Head Tapping Screw 2.3×6
46	See Inset	conditional	Plain Washer
48	03090362	1	Hexagonal Nut 2, 2
49	02521060	1	Hexagonal Nut 2, 3

ACCESSORY FOR L CARRIAGE



Ref. No.	Parts No.	Q'ty	Description
1	07435506	1	Carriage Envelope (0.04 × 280 × 450)
2	01013275	1	Lace Pattern Card Set
3	07605249	1	Styrofoam Set
4	01013309	1	Inner Carton
5	09035494	1	Inner Packing
6	07686884	3	Wide Claw Weight