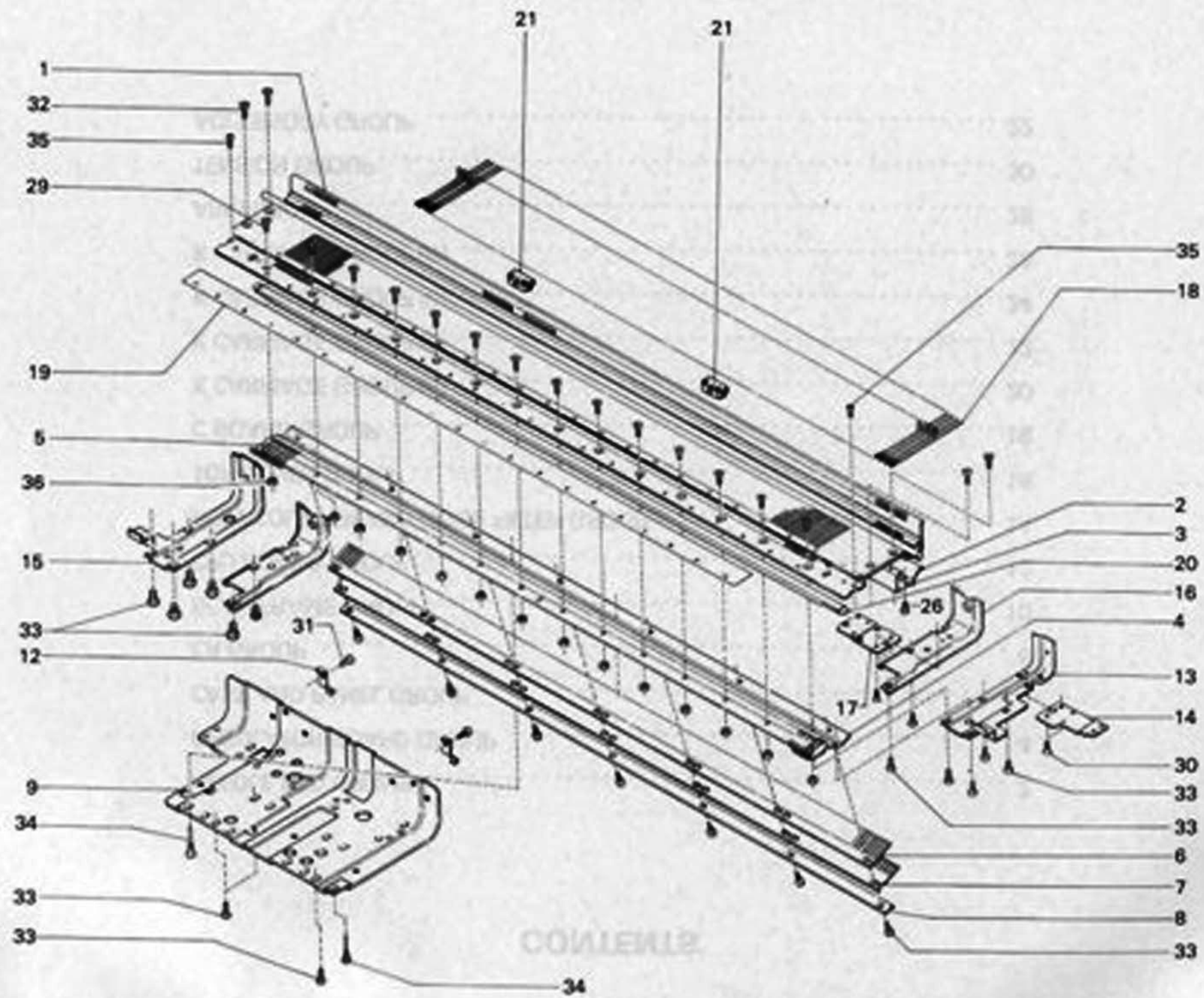
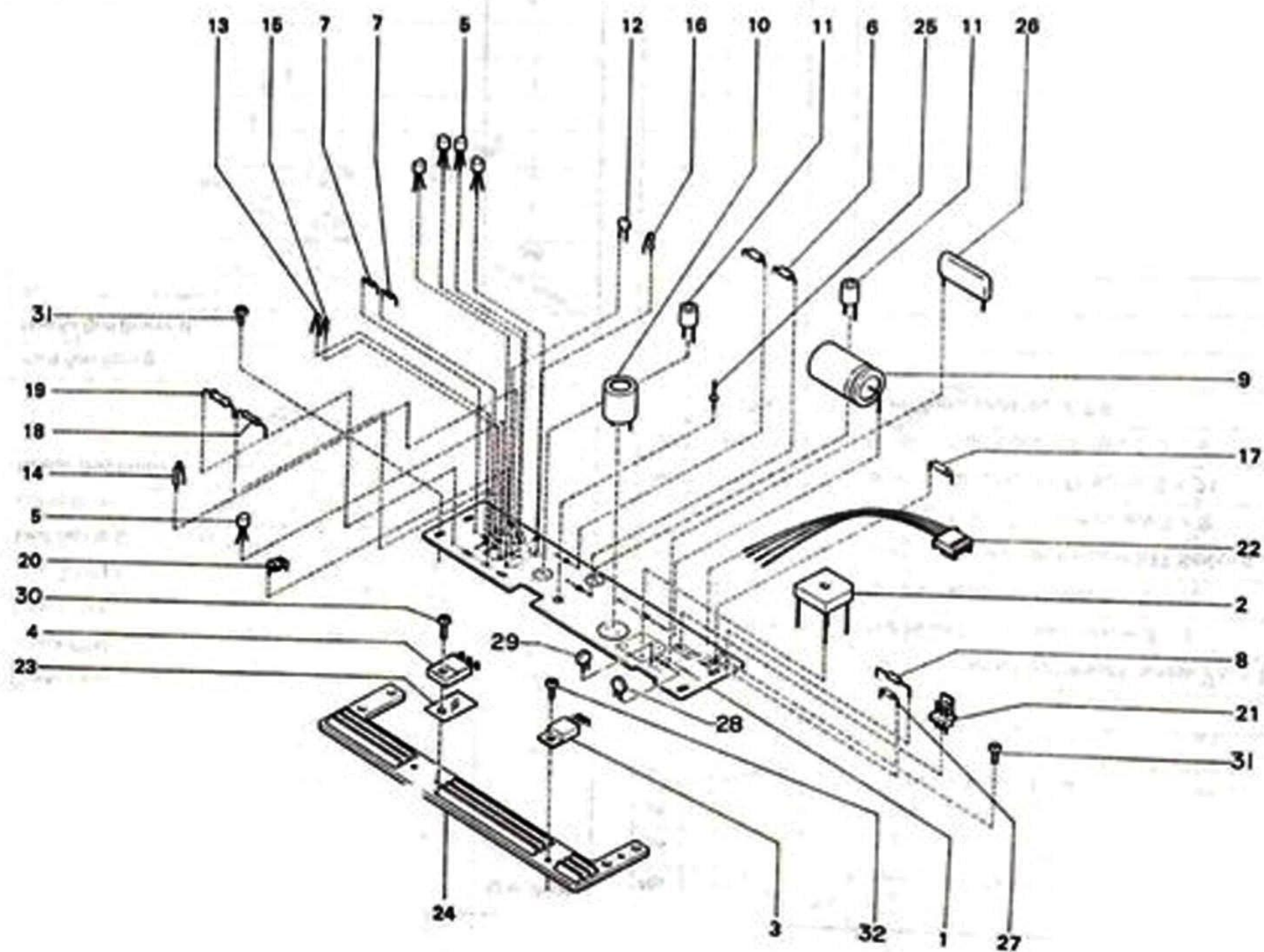


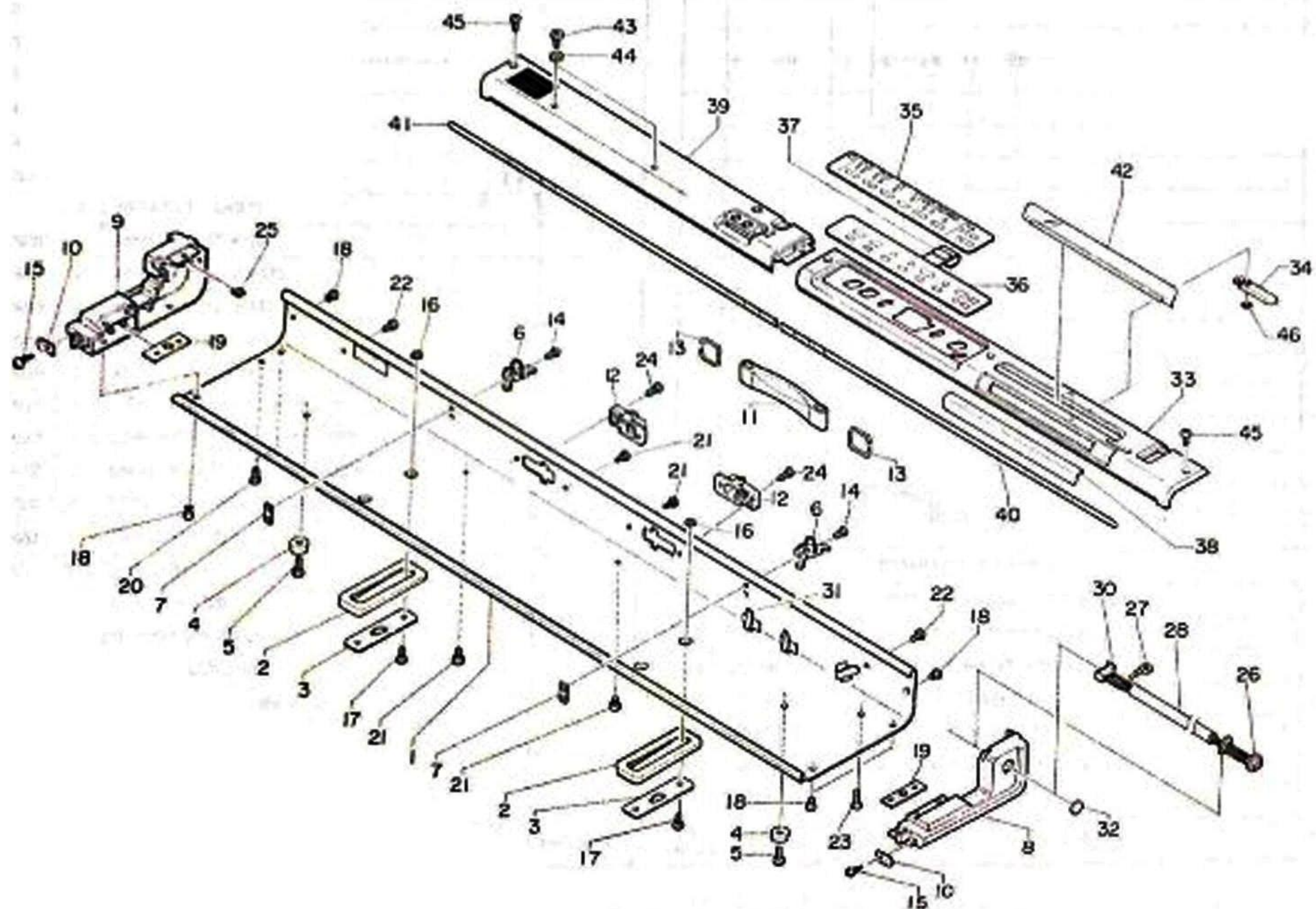
NEEDLE BED GROUP



REGULATOR BOARD GROUP



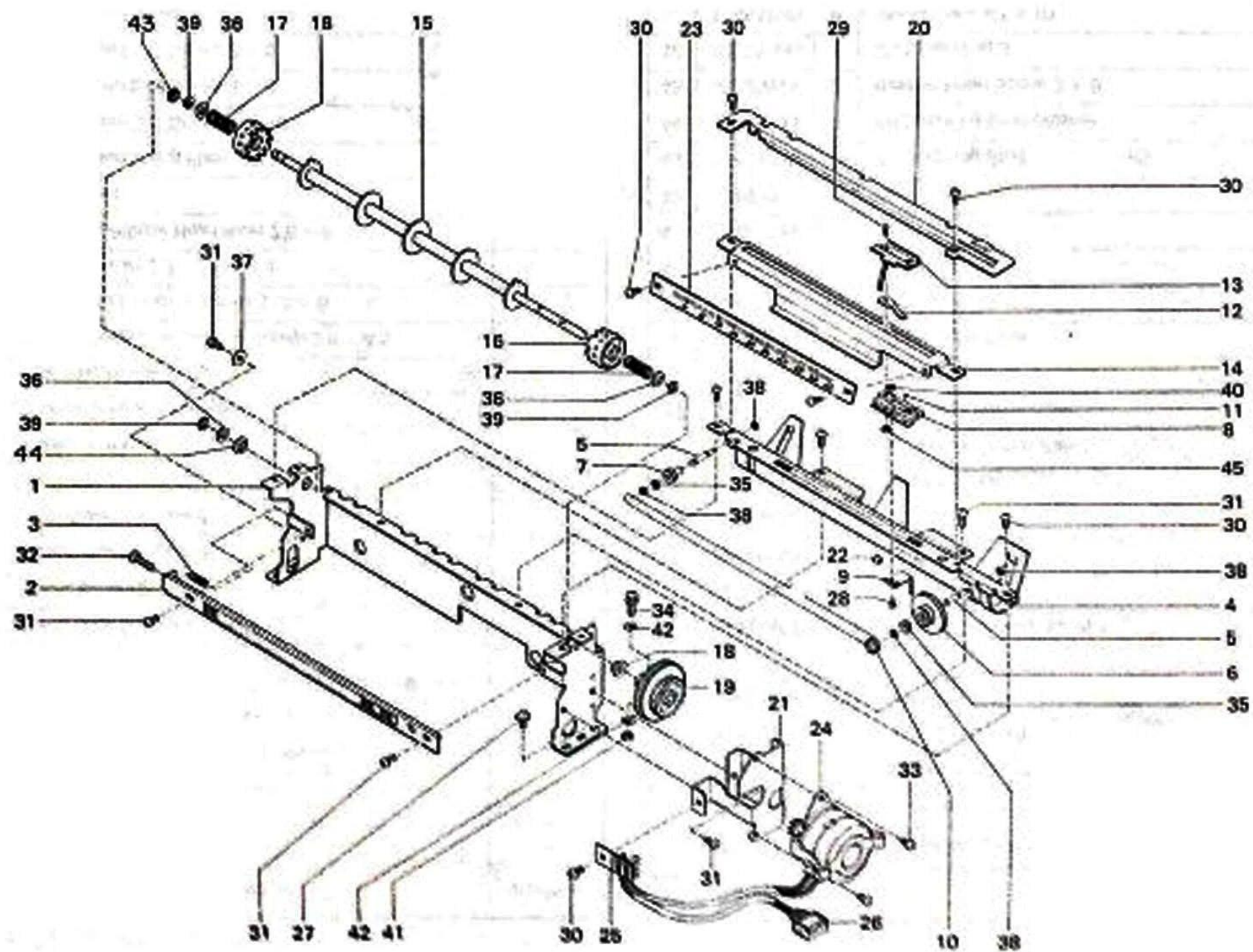
CASE AND PANEL GROUP



Ref. No.	Parts No.	Qty	Description	Unit Price
☉	12459152	1	Case Unit (No.1—18, 32)	
1	12450854	1	Case	
2	02080810	2	Rubber Pad	
3	02091206	2	Clamp Holder	
4	12132007	2	Foot Rubber	
5	02142008	2	Foot Rubber Rivet	
6	02272003	2	Latch Lock Supporting Plate	
7	02341204	2	Latch Securing Plate	
8	12450882	1	Side Cover for Case (R)	
9	12450870	1	Side Cover for Case (L)	
10	02052009	2	Yarn Clip	
11	12252003	1	Carrying Handle	
12	02200616	2	Carrying Handle Bracket	
13	02222008	2	Carrying Handle Ring	
14	02442267	4	Round Head Countersunk Screw 2.6 × 4.5	
15	02251205	2	Truss Head Tapping Screw 1, 3 × 8	
16	02152007	4	Plain Washer 2.7 × 10 × 1.2	
17	02212009	4	Thin Flat Filister Head Rivet 2.6 × 5	
18	02071207	6	Push Rivet	
19	02430411	2	Needle Bed Fixing Plate	
20	08046815	2	Collar Head STT Screw 3 × 10	
21	01910819	4	Collar Head STT Screw 3 × 8	
22	03910817	2	Collar Head STT Screw 3 × 5	
23	08030611	1	Collar Head Screw 3 × 5	
24	01920818	2	Binding Head STT Screw 3 × 12	

Ref. No.	Parts No.	Qty	Description
25	02036002	2	Square Nut 3, 8 × 8 × 2
☉	12451084	1	Connector Unit for PE1 (No.28—30 w/Shrink Tube)
26	12451514	1	PE1 Socket (incl. Nut)
27	12451340	1	Connector Cord for PE1
28	12451308	1	Connector Tube
29			
30	12451357	1	Connector Harness for PE1
31	12404087	3	Cord Fastener
32	12451688	1	PE1 Socket Cap
33	12450908	1	CR Panel
34	12450961	1	CR Card Guide
35	12450125	1	Membrane Control Panel
36	12455697	1	Membrane Switch Unit
37	12452215	1	Protect Rubber
38	12455689	1	CR Window Panel
39	12455986	1	KR Base Panel
40	12456323	1	Panel Seal (R)
41	12451027	1	Panel Seal (L)
42	12450963	1	Card Cover
43	12451035	2	KR Securing Stud
44	12451043	2	KR Securing Stud Washer
45	05220611	2	Binding Head Screw 3 × 8
46	02221000	1	CS Snap Ring 3
☉	12451530	9	Shrink Tube φ2 × 10

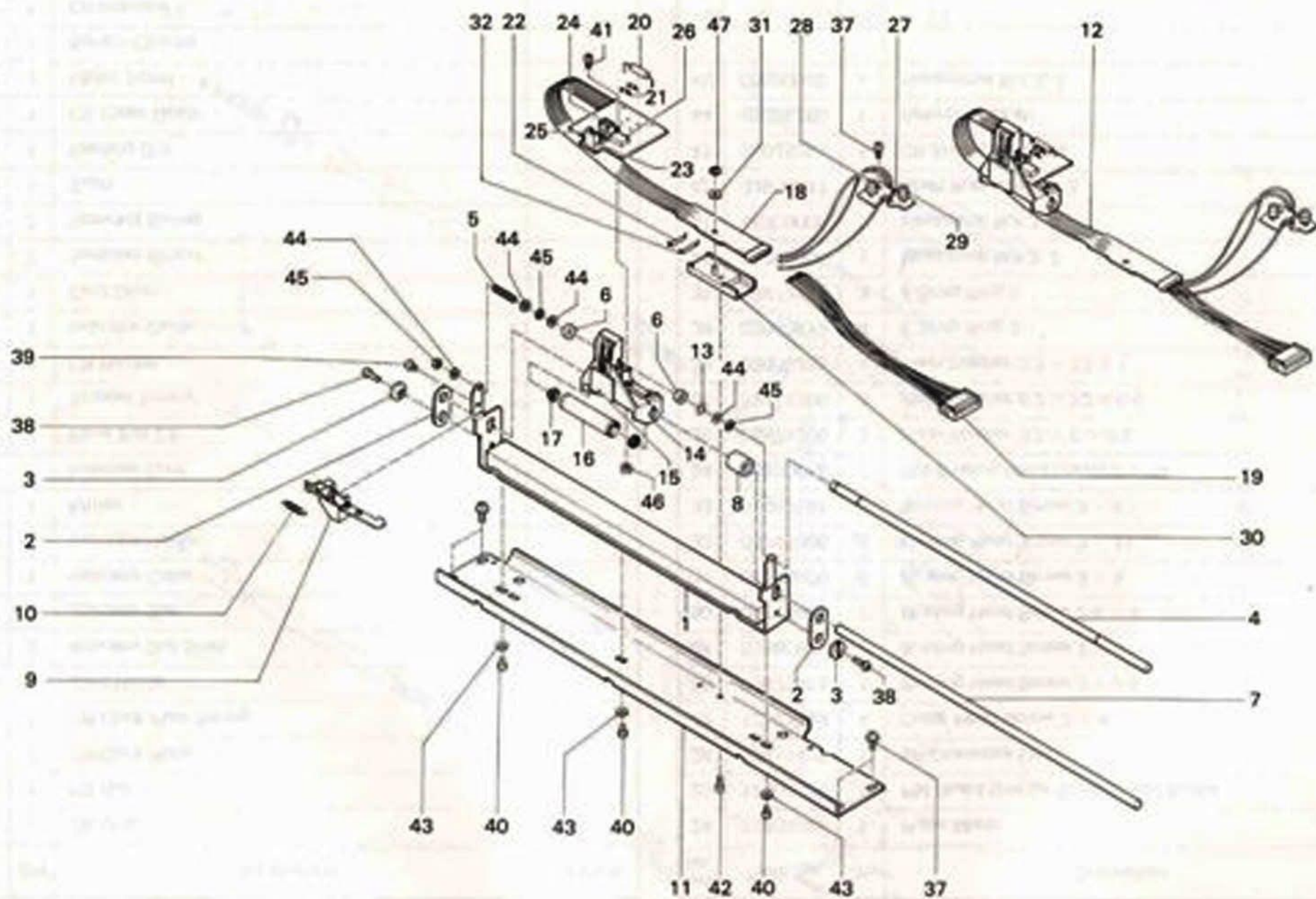
CR GROUP



Ref. No.	Parts No.	Qty	Description	Unit Price
○	12450698	1	CR Unit	
1	03035235	1	CR Box	
2	03235231	1	CR Clock Plate	
3	03240611	1	CR Clock Plate Spring	
4	03055233	1	Card Holder	
5	03060613	2	Indicator Dial Shaft	
6	12401857	1	Indicator Dial	
7	03080611	1	Indicator Collar	
8	03090610	1	Indicator Holder	
9	03130614	1	Mirror	
10	03140613	1	Indicator Cord	
11	03100617	1	Steel Ball 2.5	
12	03110616	1	Stopper Spring	
13	12450714	1	CR Pointer	
14	03160611	1	Indicator Guide	
15	03200615	1	Card Drum	
16	03215233	2	Sprocket Wheel	
17	03150612	2	Sprocket Spring	
18	03180619	1	Bush	
19	12401873	1	Feeding Dial	
20	03510617	1	CR Paper Guide	
21	03255239	1	Motor Stand	
22	03760618	1	Sensor Cleaner	
23	12450722	1	CR Indicator	
○	12450730	1	Pulse Motor Unit (No.24—26)	

Ref. No.	Parts No.	Qty	Description
24	12404026	1	Pulse Motor
25	12404034	1	PM Board Unit (w/Resistor and Diode)
26	12451415	1	5P Connector Unit
27	12425393	4	Collar Head Screw 3 × 4
28	03870615	1	Binding Head Screw 2 × 3.5
29	03880614	1	Binding Head Screw 2 × 4
30	06214001	7	Binding Head Screw 2.6 × 4
31	05212006	6	Binding Head Screw 3 × 5
32	04741005	1	Binding Head Screw 3 × 14
33	04782561	2	Binding Head Screw 3 × 4
34	03790616	1	Pw Binding Head Screw 3 × 14
35	08571200	2	Plain Washer 3.2 × 6 × 0.5
36	07411200	3	Plain Washer 6.2 × 10 × 0.5
37	03605235	1	Plain Washer 3.2 × 13 × 1
38	03910619	4	E Snap Ring 2
39	08572115	3	E Snap Ring 4
40	01262005	1	Hexagonal Nut 3, 2
41	48309009	1	Hexagonal Nut 3, 3
42	03930617	2	Shaft Rock Washer 3
43	03025251	1	CR Shaft Lock Collar
44	03035250	1	Reference Bush
45	03090362	1	Hexagonal Nut 2, 2

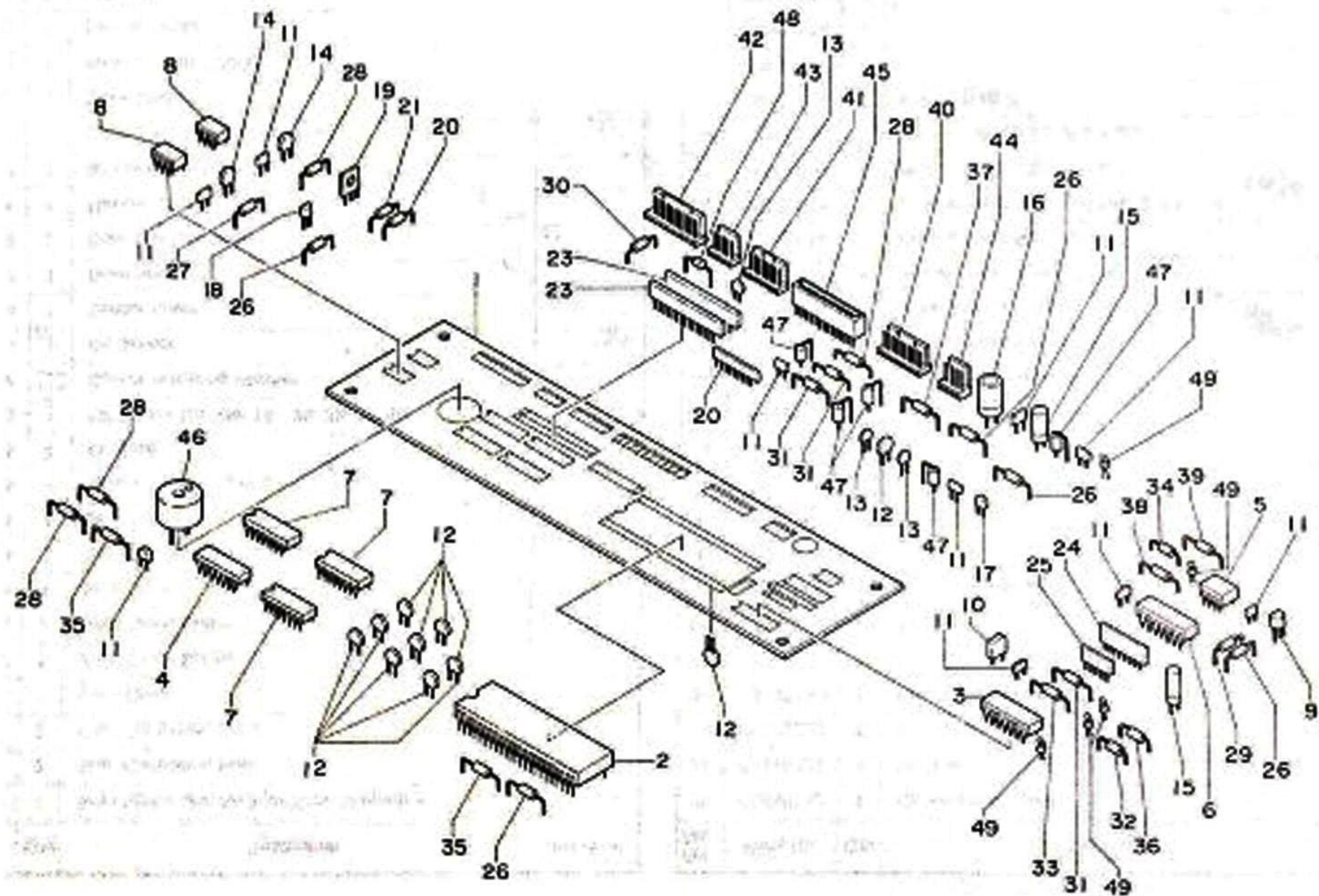
SCAN FRAME GROUP



Ref. No.	Parts No.	Qty	Description	Unit Price
1	12451274	1	Scan Frame Unit No.2 (w/Scan Magnet)	
2	03320611	2	Scan Controlling Plate	
3	03330610	2	Scan Controlling Collar	
4	03355237	1	Scan Guide	
5	03365236	1	Scan Guide Spring	
6	03375235	2	Scan Guide Buffer	
7	03340619	1	Scan Shaft	
8	03620614	1	Scan Shaft Collar	
9	03385234	1	Sensor Stopper	
10	03430618	1	Sensor Stopper Spring	
11	12401915	1	CR Base	
12	12451282	1	CR Sensor Unit (No.14—29, 32, 41, 46)	
13	03955234	cond sional	Sensor Adjusting Washer	
14	03845237	1	CR Sensor	
15	03470614	1	Sensor Cover	
16	03490612	1	Scan Solenoid	
17	03500618	2	Scan Solenoid Collar	
18	03525235	1	Flexible Cord	
19	12451407	1	8P Connector Unit	
20	09430612	1	Electrolytic Capacitor 16V10 μ F	
21	12403952	2	Diode DS442	
22	09680612	1	Resistor 1/4L 120 Ω	
23	03825239	1	Sensor Holder	
24	09940610	1	LED LN55	
25	09950619	1	Photo-transistor PN150	

Ref. No.	Parts No.	Qty	Description
26	03635232	1	CR Sensor Magnet
27	03725231	1	VR Board Unit (incl. No.28—29 w/Capacitor and Leads)
28	09675232	1	Potentiometer 0.3W30K Ω
29	09935230	1	Potentiometer 0.3W5K Ω
30	03585239	1	Flexible Cord Clamp
31	07211204	1	OP Snap
32	08400616	1	Resistor 1/4W L91 Ω
33			
34			
35			
36			
37	08030611	1	Collar Head Screw 3 \times 5
37'	03195294	4	Collar Head Screw 3 \times 5
38	01332006	2	Binding Head Screw 3 \times 6
39	05212006	1	Binding Head Screw 3 \times 5
40	04782561	3	Binding Head Screw 3 \times 4
41	03540614	1	Binding Head Screw 3 \times 6
42	05180617	1	Binding Head Tapping Screw 2, 2.6 \times 6
43	08571200	3	Plain Washer 3.2 \times 6 \times 0.5
44	03595238	4	Plain Washer 5.2 \times 8.5 \times 0.5
45	08662116	3	E Snap Ring 3
46	03940616	1	Hexagonal Nut 3, 3
47	02930618	1	CS Snap Ring 2.4
○	09880618	3	Cable Tie Wrap
○	12404091	1	Cable Tie Wrap 100

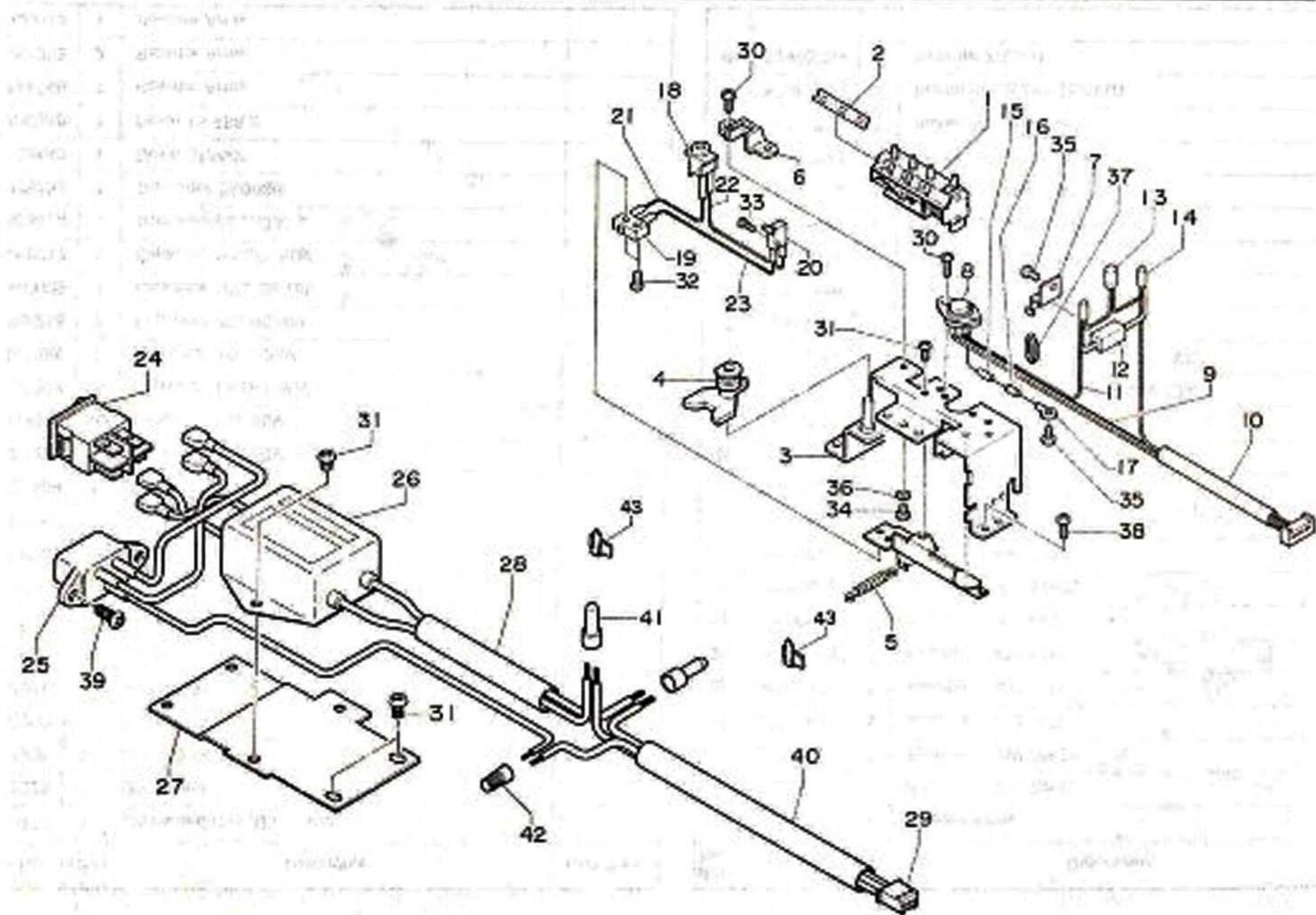
CPU BOARD GROUP



Ref. No.	Parts No.	Qty	Description	Unit Price
○	12450987	1	CPU Board Unit (No.1—49)	
1	12451225	1	CPU Board	
2	12451738	1	LSI μ PD78C11	
3	12451902	1	IC 74HC14	
4	12451910	1	IC 74HC04	
5	12451928	1	IC μ PC358C	
6	09120619	1	IC μ PC339C	
7	12451936	3	IC μ PA2004C	
8	12451944	2	IC M751701P	
9	12451951	1	IC PST518B	
10	12451969	1	Oscillator	
11	12451977	10	Capacitor 0.1 μ 50V	
12	12456215	10	Capacitor 0.1 μ 25V	
13	12456224	3	Capacitor 4700PF 50V	
14	12451985	2	Capacitor 0.01 μ 25V	
15	33103268	2	Capacitor 10 μ DC16V	
16	12452009	1	Capacitor 100 μ DC16V	
17	12452017	1	Capacitor 1000PF 50V	
18	12403424	1	Transistor 2SC3330	
19	09035296	1	Transistor 2SD986	
20	12403440	1	Diode GMA01	
21	07706948	1	Diode 1S 158.8	
22	12451746	1	Resistor Array	
23	12451753	2	Resistor Array	
24	09350612	1	Resistor Array	

Ref. No.	Parts No.	Qty	Description
25	09360611	1	Resistor Array
26	05086921	5	Resistor 1/4W 10K Ω
27	09710617	1	Resistor 1/4W 30K Ω
28	09510611	4	Resistor 1/4W 1K Ω
29	04096921	1	Resistor 1/4W 47 Ω
30	12451803	1	Resistor 1/4W 51 Ω
31	09500612	3	Resistor 1/4W 2k Ω
32	09980616	1	Resistor 1/4W 5.6K Ω
33	09970617	1	Resistor 1/4W 3.3K Ω
34	12451845	1	Resistor 1/4W 820 Ω
35	12451852	2	Resistor 1/4W 47K Ω
36	09990615	1	Resistor 1/4W 4.3K Ω
37	08360612	1	Resistor 1/4W 330 Ω
38	12451886	1	Fixed Metal Film Resistor 1/4W 2.8K Ω
39	12451894	1	Fixed Metal Film Resistor 1/4W 1K Ω
40	12403705	1	Connector 5233 10A
41	12403689	1	Connector 5233 0.8A
42	12452025	1	Connector 5233 11A
43	12403671	1	Connector 5233 0.5A
44	12403713	1	Connector 5045 0.4A
45	12452033	1	Connector HLEM22S1
46	12417127	1	Buzzer 5DC 1610M-01
47	97957500	5	Ferrite Beads ZBF 253S-01
48	12403754	1	Inductor 220 μ -H

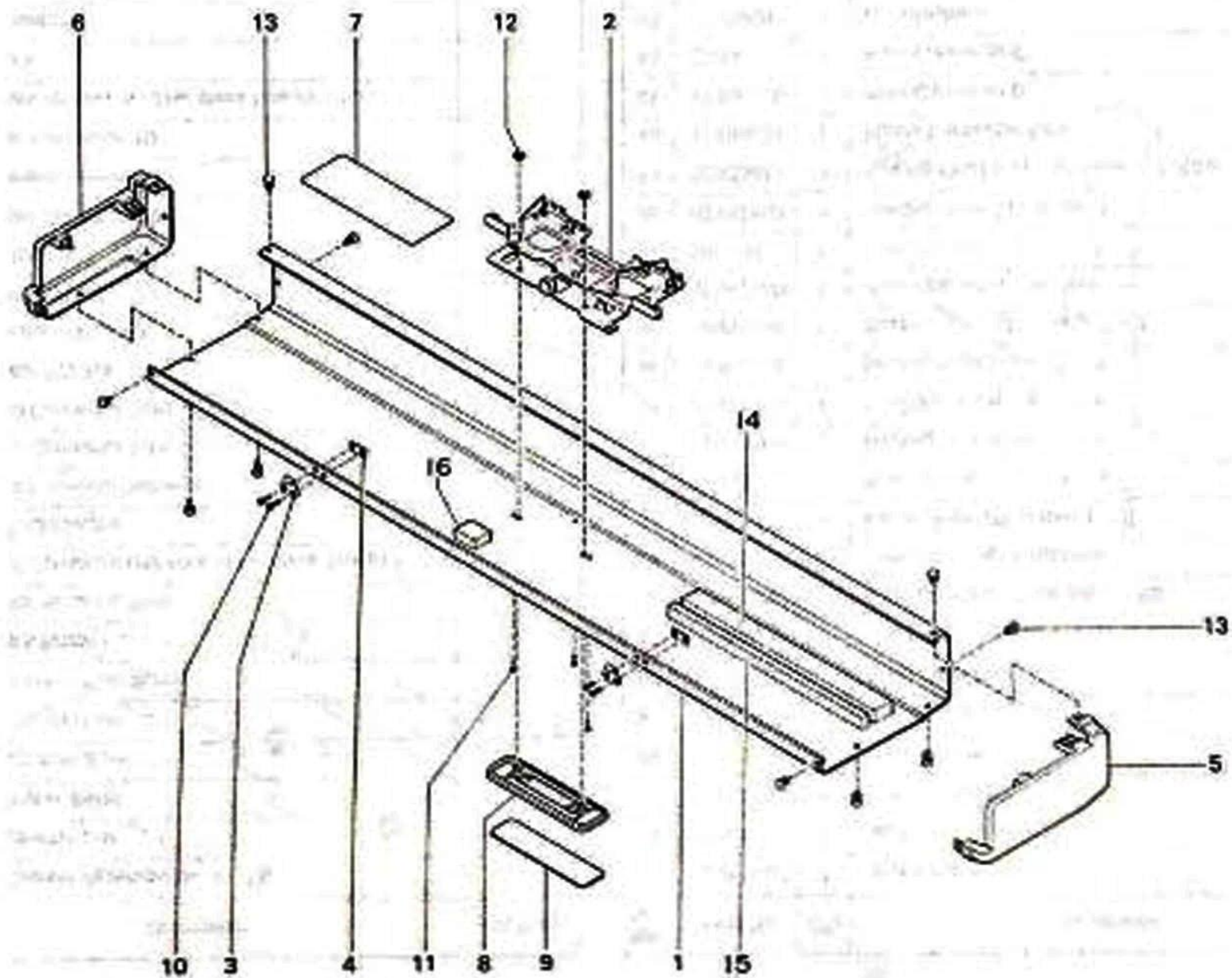
ROW COUNTER AND NOISE FILTER GROUP



Ref. No.	Parts No.	Qty	Description	Unit Price
○	12450748	1	Row Counter Assembly (No.1—23)	
1	12451480	1	Row Counter Unit	
2	02790814	1	RC Window Panel	
3	12450755	1	Row Counter Base	
4	12450805	1	Row Feeding Cam	
5	08070815	1	Row Feeding Cam Spring	
6	12451183	1	KR Jack Bracket	
7	03530615	1	Resistor Securing Plate	
○	12450813	1	Round Connector Unit (No.8—17 w/Shrink Tube $\phi 3 \times 10$)	
8	03570611	1	Round Connector	
9	12451332	1	Round Connector Harness	
10	12451316	1	Round Connector Tube	
11	12451324	1	Round Connector Cord	
12	09750613	1	Resistor 5W 10 Ω	
13	12403614	1	Capacitor 100 μ F 10V	
14	12451563	2	Shrink Tube $\phi 3 \times 20$	
15	12403747	1	LED Tube A	
16	12451548	1	Resistor 100K Ω 1/2W	
17	12451555	1	Solderless Terminal 3	
○	12452074	8	Shrink Tube $\phi 3 \times 10$	
○	12450821	1	KR Jack Unit (No.18—23 w/Shrink Tube $\phi 2 \times 10$)	
18	12416962	1	KR Jack	
19	12451498	1	Microswitch	
20	12451506	1	Micro Leaf Switch	
21	12451365	1	Jack Cord (Black)	

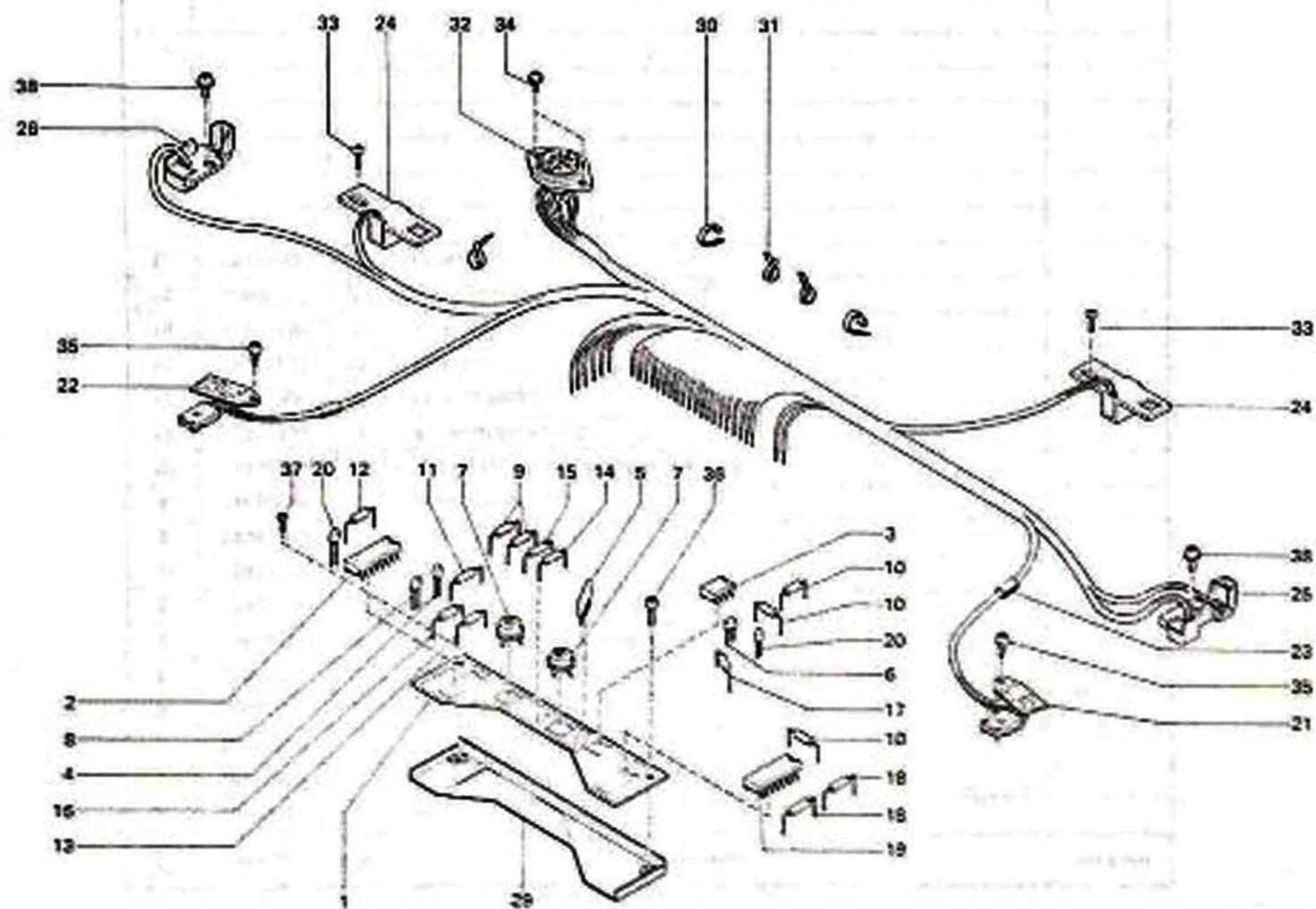
Ref. No.	Parts No.	Qty	Description
22	12451522	1	Jack Cord (Red)
23	12451373	1	Jack Cord (Blue)
○	12451530	6	Shrink Tube $\phi 2 \times 10$
24	12455846	1	Power Switch
25	12455804	1	Case Connector Unit
26	12456257	1	Noise Filter Unit
27	12456232	1	Noise Filter Bracket
28	12456807	1	Case Connector Tube $\phi 8.3 \times 55$
29	12455812	1	Power Connector Harness
30	01910819	4	Collar Head STT Screw 3 \times 8
31	04782561	5	Binding Head Screw 3 \times 4
32	02810364	2	Binding Head Screw 2 \times 8
33	12451449	1	Fine Screw 1.6 \times 8
34	04740205	1	Binding Head Screw 3 \times 3
35	04990206	2	Binding Head STT Screw 3 \times 4
36	06342000	1	Plain Washer 3 \times 8 \times 0.5
37	09880618	1	Cable Tie Wrap
38	02142453	4	Binding Head STT Screw 3 \times 6
39	02900611	2	Binding Head Tapping Screw 2, 3 \times 10
40	12455838	1	Power Connector Tube
41	12456315	2	Wire Connector B
42	03690617	1	Wire Connector C
43	12404067	2	Cord Fastener

TOP COVER GROUP

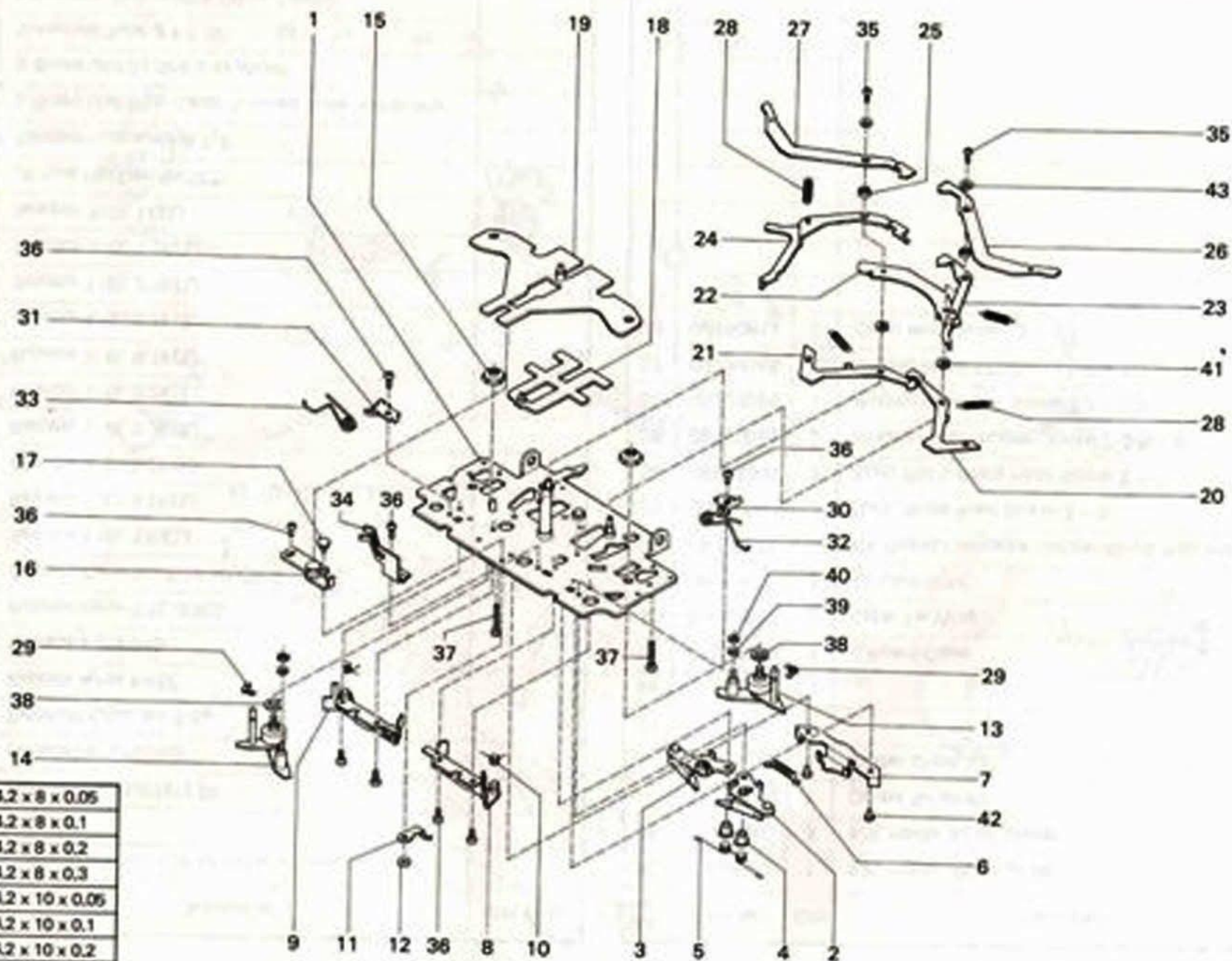


Ref. No.	Parts No.	Qty	Description
○	12456091	1	Top Cover Unit (No.1—16)
1	02271203	1	Top Cover
2	02295235	1	BTA Securing Plate
3	02331205	2	Latch
4	02341204	2	Latch Nut
5	12402111	1	Side Cover for Top Cover (R)
6	12402129	1	Side Cover for Top Cover (L)
7	12402137	1	Illustration Label
8	12450904	1	Brand Name Plate Base
9	12455978	1	Brand Name Plate
10	02442267	4	Oval Head Countersunk Screw 2.6 × 4.5
11	02472264	3	Pan Head Rivet 2 × 3
12	02221000	2	CS Snap Ring 3
13	02071207	10	Push Rivet
14	12452140	1	AB Packing A
15	12452157	1	AB Packing B
16	12452165	1	RC Racking

C BOARD GROUP



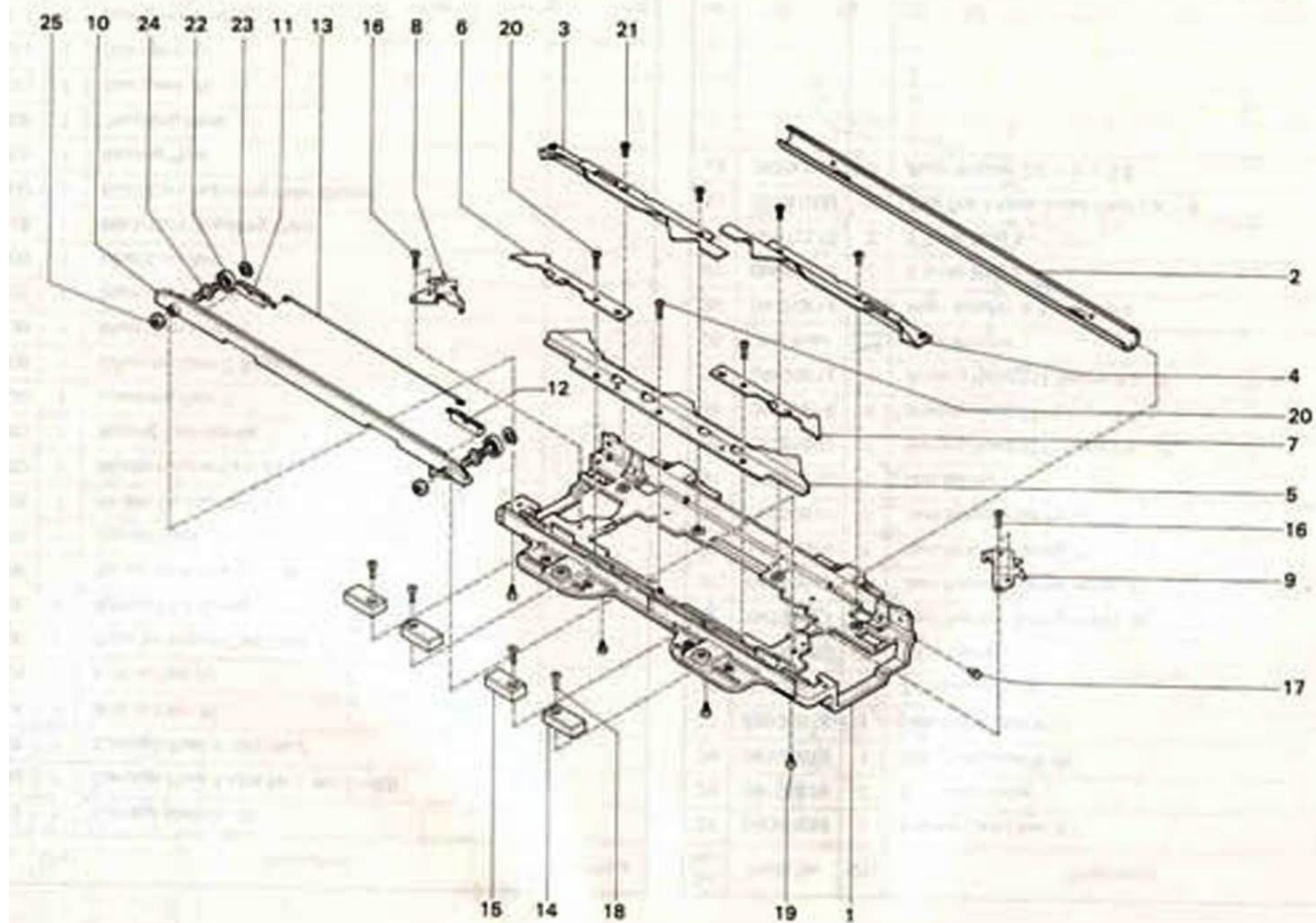
K CARRIAGE GROUP (A)



Ref. No.38

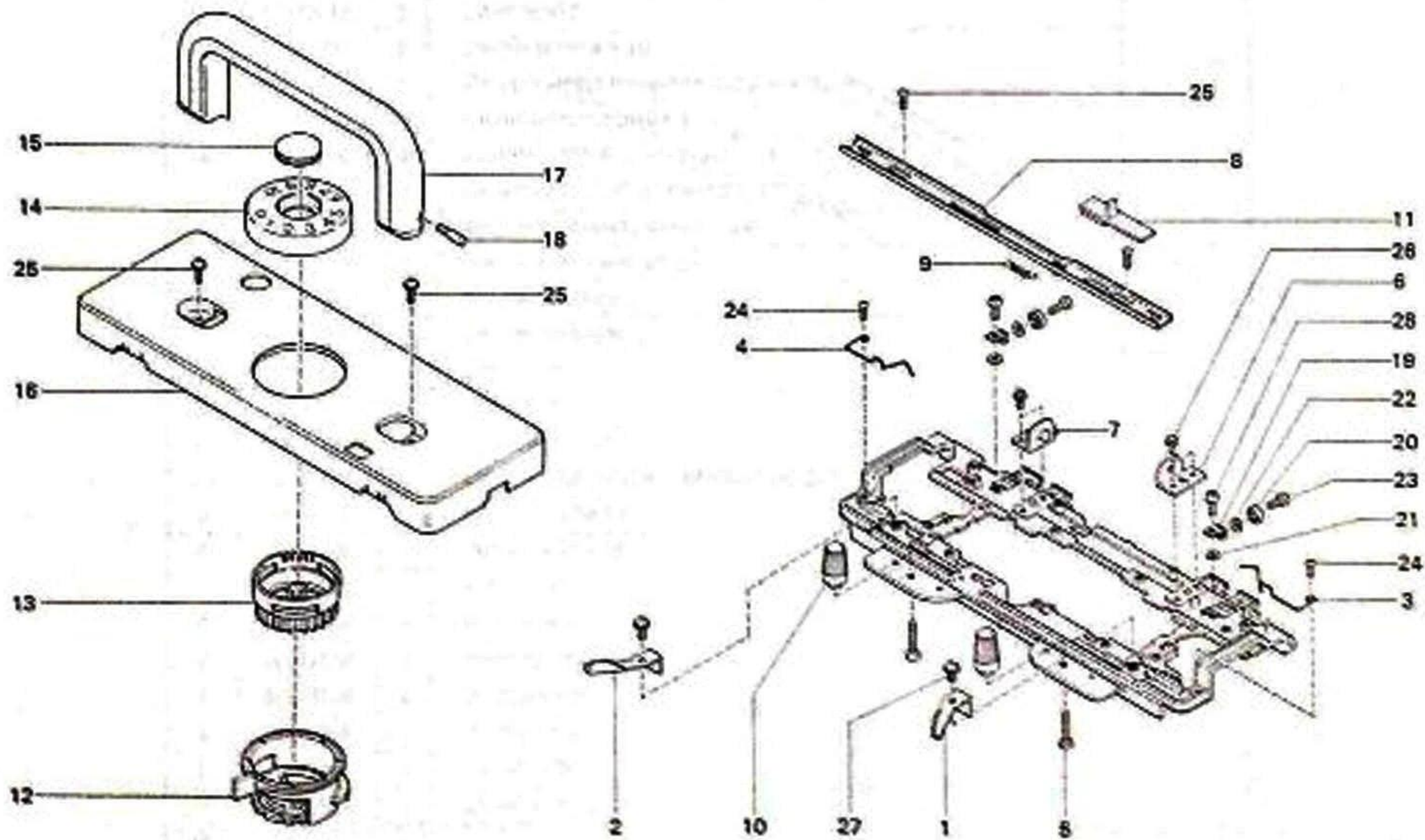
05892153	4.2 x 8 x 0.05
05902150	4.2 x 8 x 0.1
05912159	4.2 x 8 x 0.2
05922158	4.2 x 8 x 0.3
05932157	6.2 x 10 x 0.05
05942156	6.2 x 10 x 0.1
05952155	6.2 x 10 x 0.2
05962154	6.2 x 10 x 0.3

K CARRIAGE GROUP (B)

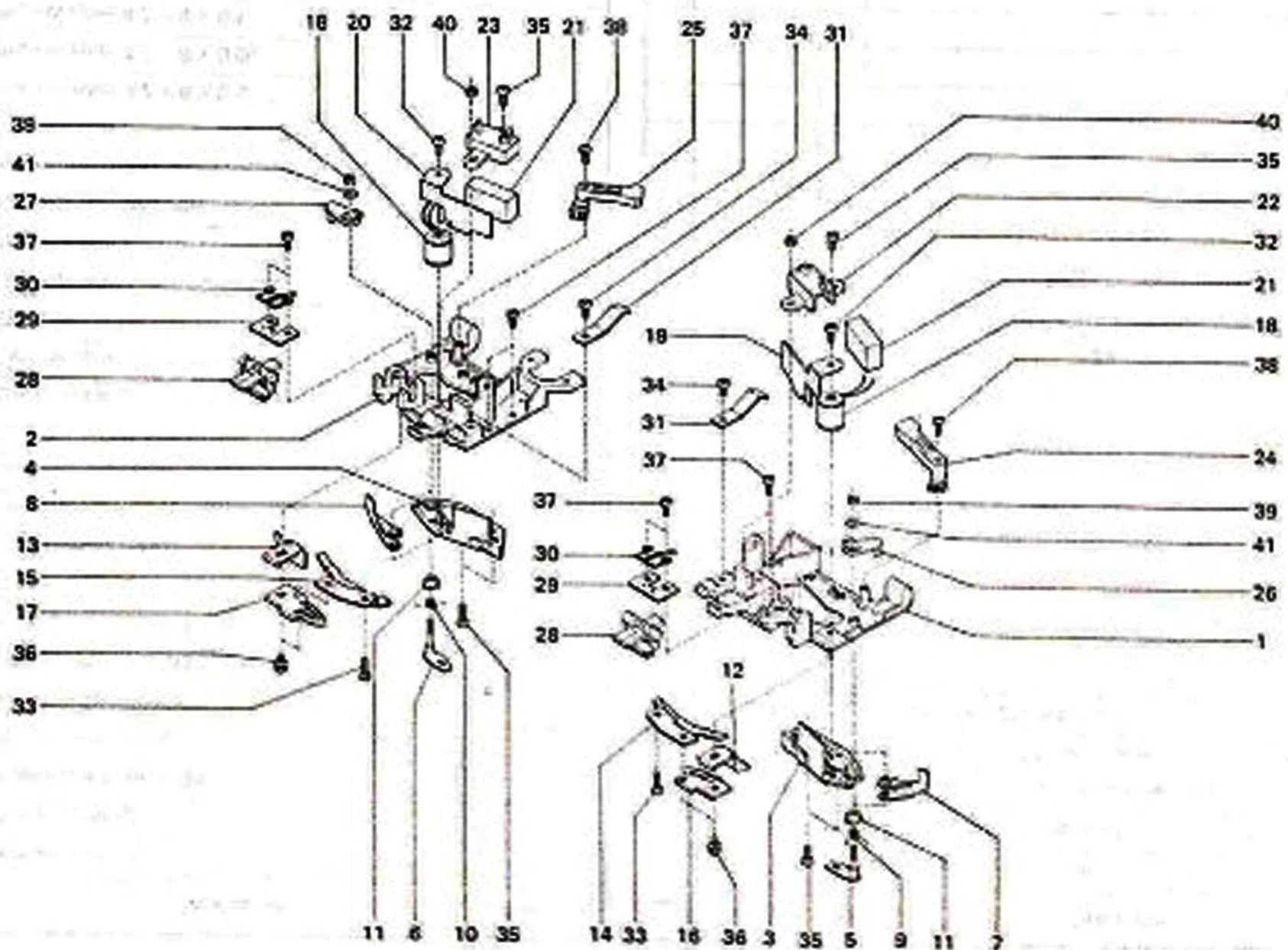


Ref. No.	Parts No.	Qty	Description
1	05275235	1	Carriage Plate B
2	12402418	1	Carriage Pipe
3	04260618	1	Guide Plate (R)
4	05115258	1	Guide Plate (L)
5	05041009	1	Needle Guide
6	05051008	1	Russel Cam (R)
7	05061007	1	Russel Cam (L)
8	04165239	1	Separation Cam (R)
9	04175238	1	Separation Cam (L)
10	12410817	1	Carriage Slider Unit (w/H Board, Hall IC DN6839)
11	04320610	1	Slider Magnet (R)
12	04330619	1	Slider Magnet (L)
13	04350617	1	Slider Hanger
14	06161004	2	Carriage Magnet A
15	06351001	2	Carriage Magnet B
16	01332006	4	Binding Head Screw 3 × 6
17	04981205	2	Spec. Binding Head Screw 3 × 4.5
18	05831003	4	Flat Head Countersunk Screw 3 × 9
19	05861000	4	Pan Head Tapping Screw 2, 2.6 × 10
20	02142453	3	Binding Head STT Screw 3 × 6
21	05196616	4	Spec. Flat Head Countersunk STT Screw 3 × 6
22	12431805	2	Carriage Roller 4 × 10
23	03910619	2	E Snap Ring 2
24	12436150	2	Roller Shaft
25	02521060	2	Hexagonal Nut 2, 3

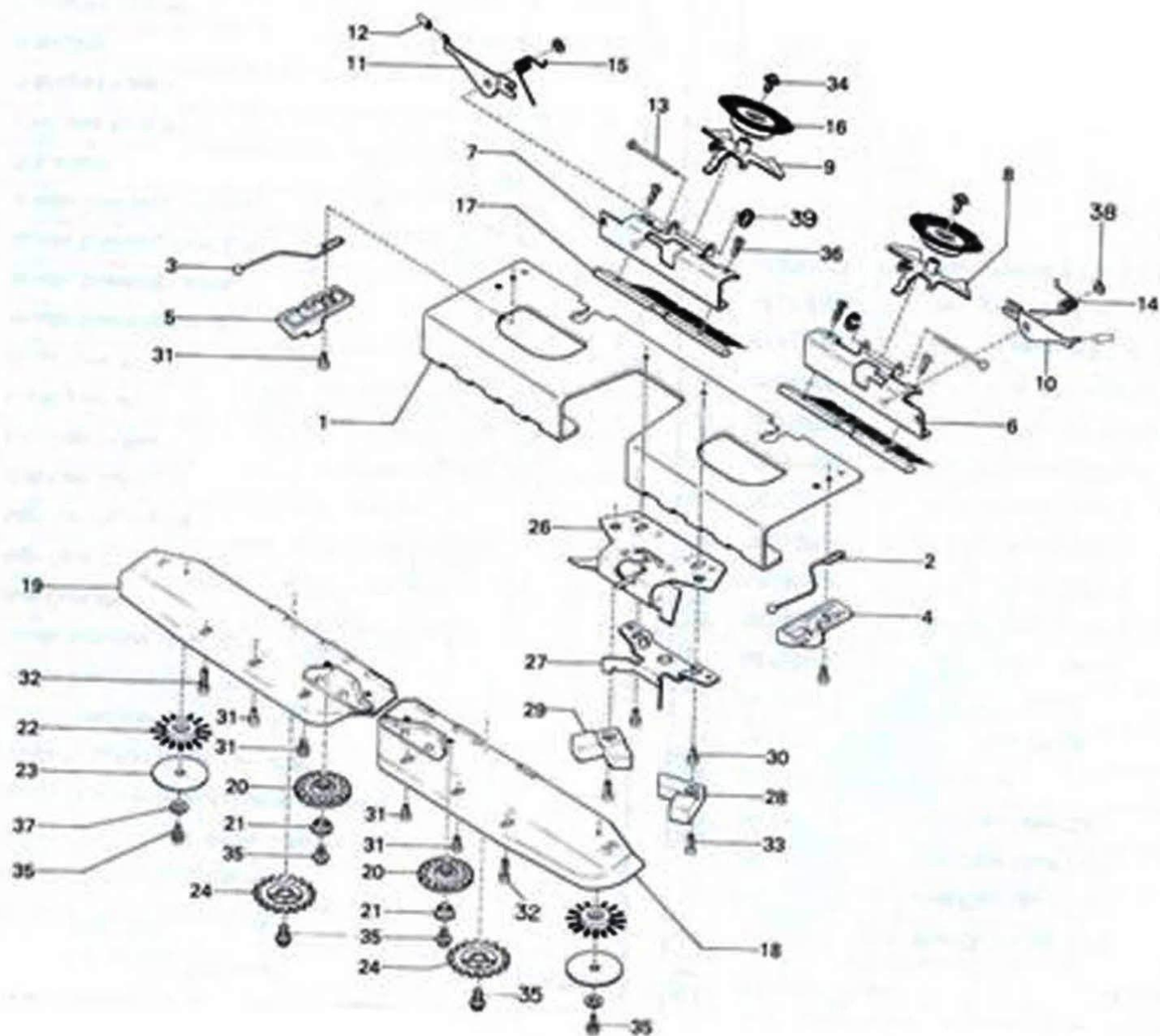
K CARRIAGE GROUP (C)



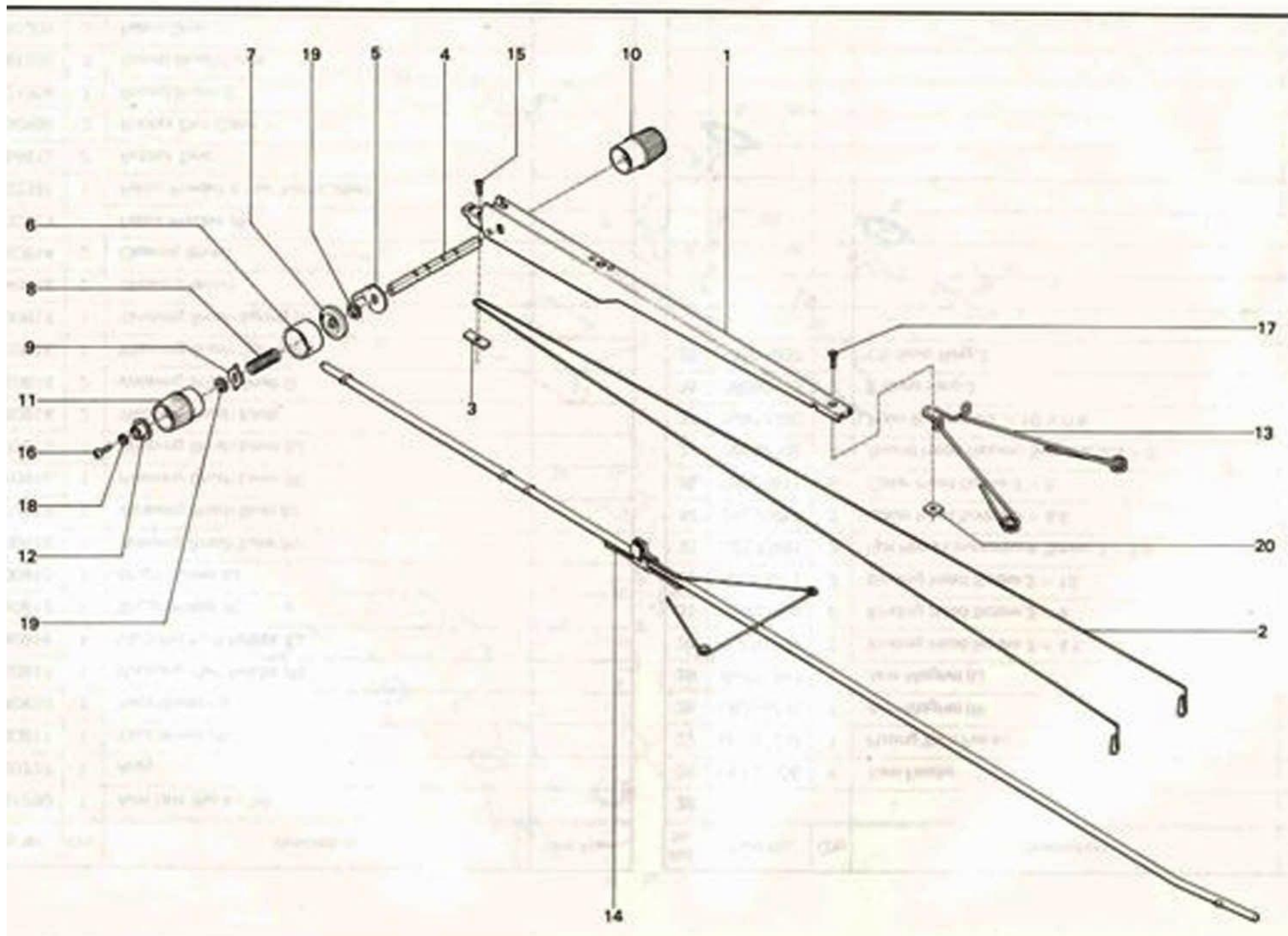
K CARRIAGE GROUP (D)



ARM GROUP

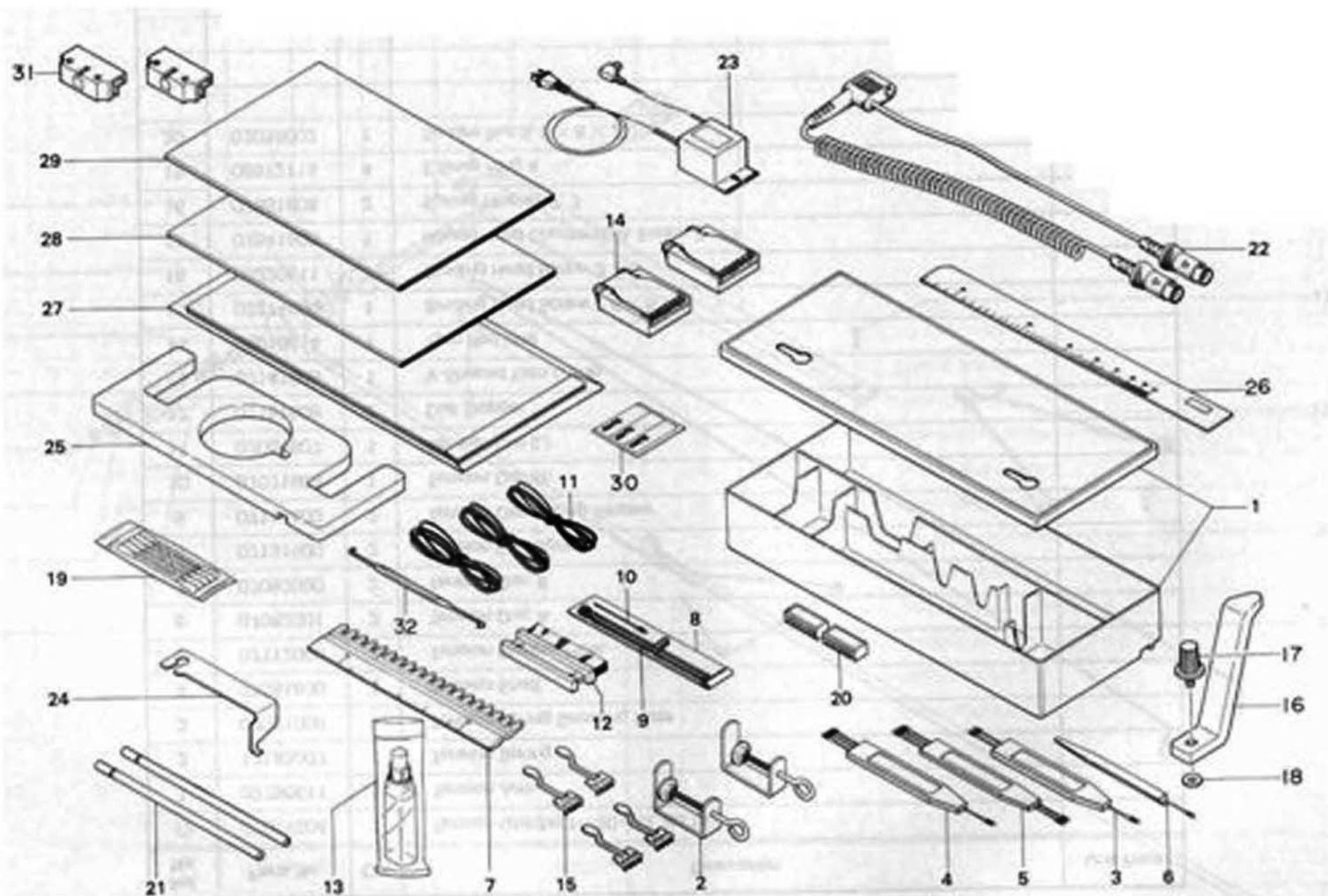


TENSION GROUP



Ref. No.	Parts No.	Qty	Description
○	07011604	1	Tension Unit(No.1—20 excl. No.14)
1	07790611	1	Tension Arm
2	17182007	1	Tension Spring
3	07021009	1	Tension Spring Securing Plate
4	07051600	1	Tension Shaft
5	07112006	2	Tension Stopper Plate
6	07082001	2	Tension Disc A
7	07092000	2	Tension Disc B
8	07131600	2	Tension Disc Spring
9	07111602	2	Tension Disc Spring Stopper
10	07071608	1	Tension Dial (R)
11	07081607	1	Tension Dial (L)
12	07151608	2	Dial Stopper
13	07141609	1	V-Shaped Yarn Guide
14	07010614	1	Yarn Rod Unit
15	03211000	1	Binding Head Screw 2.6 × 5
16	05220611	1	Binding Head Screw 3 × 8
17	07541600	1	Round Head Countersunk Screw 3 × 7
18	07581606	2	Spring Washer 2, 3
19	08672115	4	E Snap Ring 4
20	02036002	1	Square Nut 3, 8 × 8 × 2

ACCESSORY GROUP



Ref. No.	Parts No.	Qty	Description	Unit Price
○	12455879	1	Accessory Set (No.1—22, 26, 30—32 w/AB illustration Label)	
1	12404125	1	Accessory Box (w/o AB illustration Label)	
○	07425259	1	AB Illustration Label	
2	07321201	2	Clamp	
3	07352008	1	Transfer Tool (1—2)	
4	07362007	1	Transfer Tool (1—3)	
5	07372006	1	Transfer Tool (2—3)	
6	07312002	1	Tappet Tool	
7	07292006	1	Needle Pusher (0—1/1)	
○	02980365	1	Spare Needle Set (No.8—10)	
8	02910362	1	Needle envelope	
9	01130616	3	Latch Needle	
10	07402001	1	Tapestry Needle	
11	07332000	3	Cast-on Thread	
12	07342009	1	Cleaning Brush	
13	07922008	1	Oil Container	
14	07206824	2	Claw Weight	
15	17221201	4	Separator	
○	12451209	1	KR Feeding Lever Unit (No.16—18)	
16	12451217	1	KR Feeding Lever	
17	02920361	1	KR Feeding Knob	
18	07211204	1	OP Snap	
19	07755234	1	Sensor Cleaner Set	
20	12455663	2	N1 Cam	
21	07380629	1	Design Pencil (3 stars)	

Ref. No.	Parts No.	Qty	Description
○	07390628	1	Design Pencil (1 star)
22	07045230	1	Curl Cord
23	02790749	1	Transformer Unit (Specify rated voltage when ordering.)
24	07080617	1	Carriage Fastener
25	12402608	1	Carriage Packing
26	08252116	1	Gauge Scale
27	12456109	1	Accessory Pattern Card Set (Card No.1—15)
	07765258	1	Cleaning Card
28	12456034	1	Operation Manual
○	12456042	1	Knitting Manual
29	12455937	1	Pattern Book
30	07702004	1	Name Paper
31	01200617	2	Point Cam
32	07440621	1	Crochet Hook