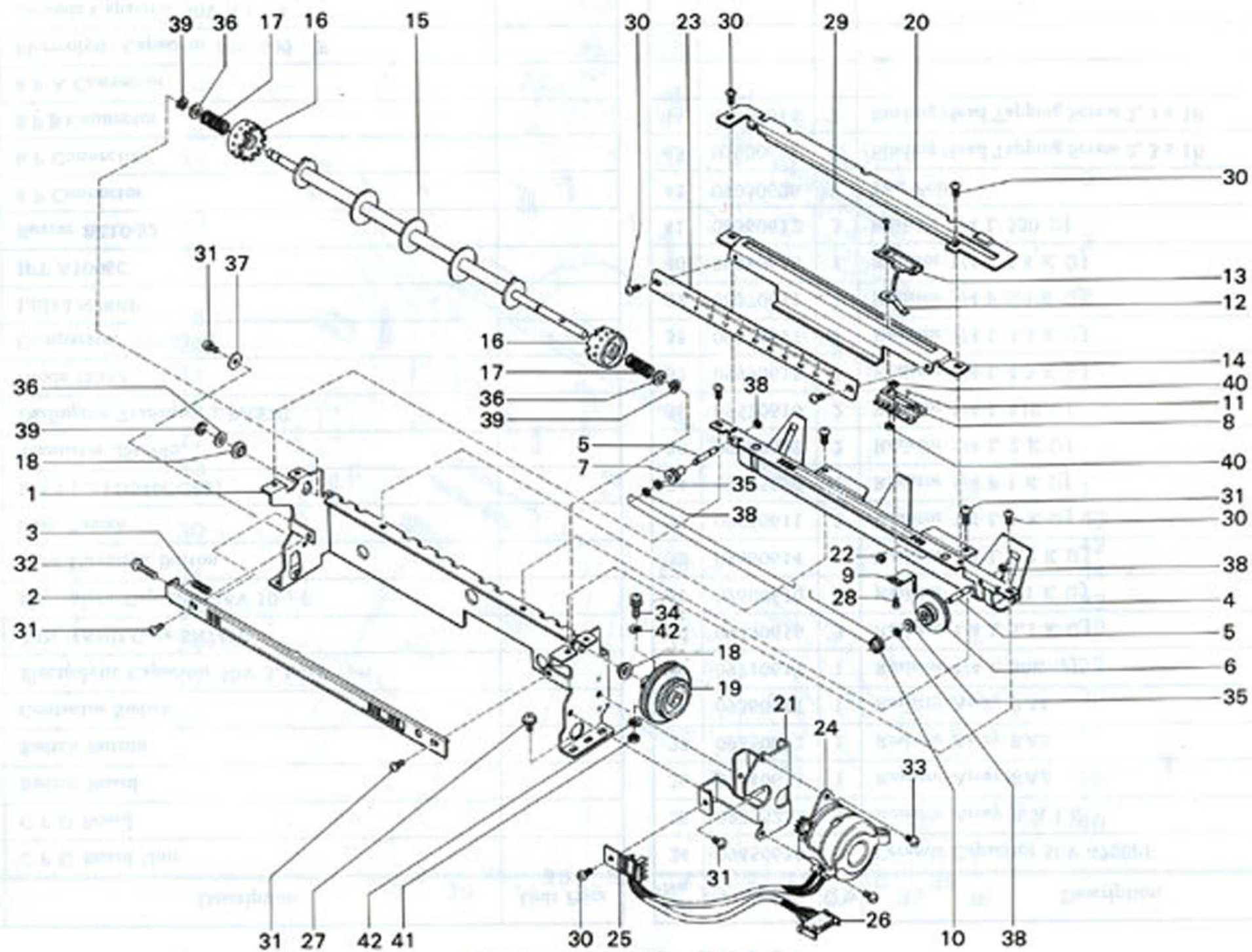
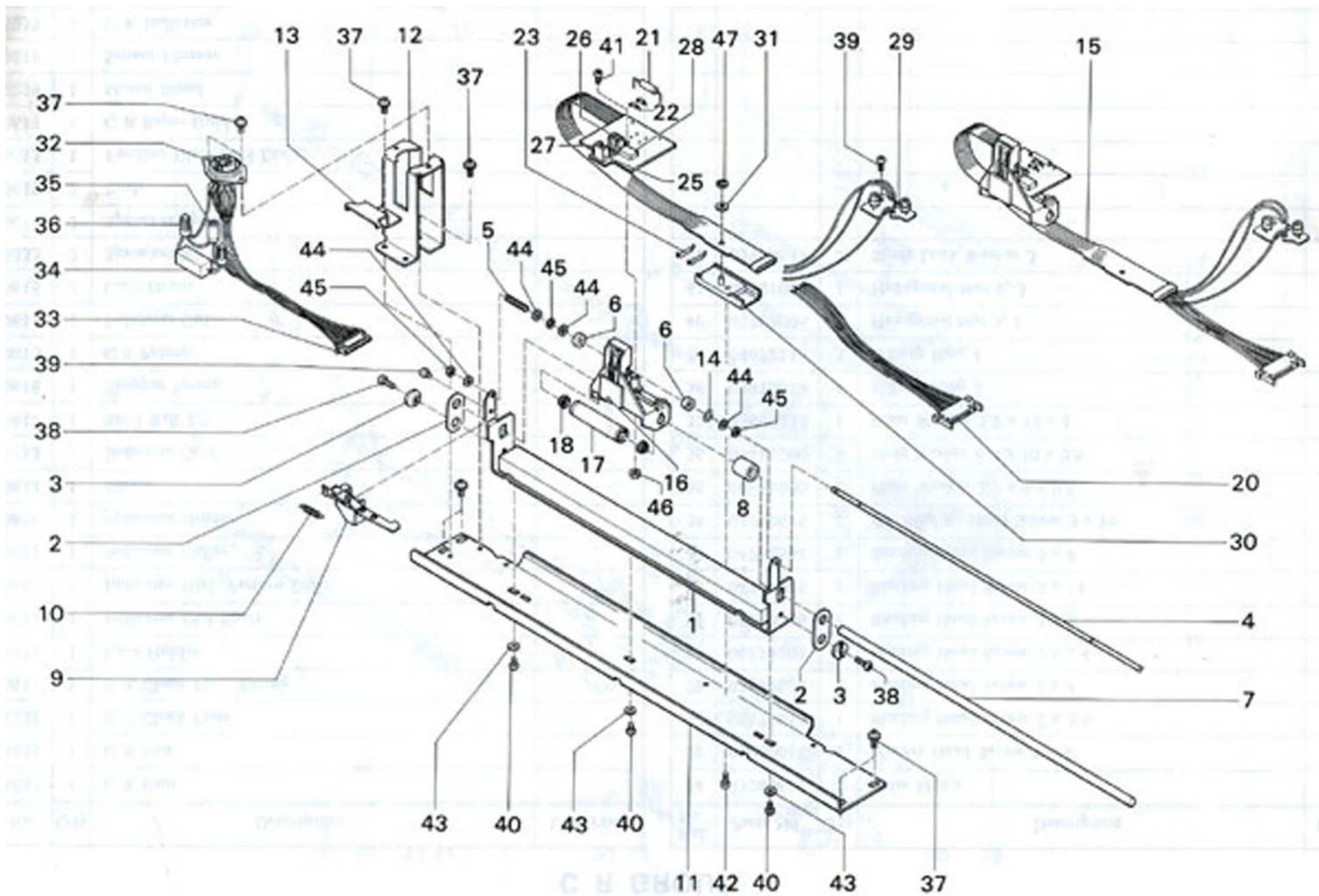


Ref. No.	Parts No.	Q'ty	Description	Unit Price
○	02565232	1	C P U Board Unit	
1	02575231	1	C P U Board	
2	02580611	1	Switch Board	
3	02720613	7	Switch Button	
4	02125235	2	Contact Switch	
5	09015231	1	Electrolytic Capacitor 50V 3.3 $\mu$ F	
6	09055237	1	3-IN NAND Gate SN7410	
7	09430612	1	Electrolytic Capacitor 16V 10 $\mu$ F	
8	02105237	2	Feed Direction Button	
9	02590610	7	Push Switch	
10	02685238	1	L S I ( $\mu$ PD546C-283)	
11	09020611	1	Transistor 2SC945	
12	09070616	2	Darlington Transistor $\mu$ PA57C	
13	09080615	3	Diode ISS53	
14	09120619	1	Comparator $\mu$ PC339C	
15	02610616	11	LED LN28RP	
16	09170614	1	IFT A1006C	
17	12710612	1	Buzzer BZ10-S2	
18	09210618	1	4 P Connector	
19	09220617	1	6 P Connector	
20	09230616	1	8 P B Connector	
21	09235235	1	8 P A Connector	
22	09420613	1	Electrolytic Capacitor 10V 100 $\mu$ F	
23	09700618	2	Ceramic Capacitor 50V 0.1 $\mu$ F	

Ref. No.	Parts No.	Q'ty	Description
24	09450610	2	Ceramic Capacitor 50V 4700PF
25	09335233	1	Resistor Array R A I E
26	09340613	1	Resistor Array RA2
27	09350612	1	Resistor Array RA3
28	09360611	1	Resistor Array RA4
29	09710617	1	Resistor 1/4 L 30K $\Omega$ J
30	09490616	3	Resistor 1/4 L 5.1 K $\Omega$ J
31	09600610	2	Resistor 1/4 P 5.1 K $\Omega$ J
32	09660614	1	Resistor 1/4 L 2.2 K $\Omega$ J
33	09510611	2	Resistor 1/4 L 1 K $\Omega$ J
34	09445230	1	Resistor 1/4 P 1 K $\Omega$ J
35	09500612	2	Resistor 1/4 L 2 K $\Omega$ J
36	09520610	2	Resistor 1/4 L 510 $\Omega$ J
37	09990615	1	Resistor 1/4 L 4.3 K $\Omega$ J
38	09970617	1	Resistor 1/4 L 3.3 K $\Omega$ J
39	08370611	3	Resistor 1/4 P 3.3 K $\Omega$ J
40	09980616	1	Resistor 1/4 L 5.6 K $\Omega$ J
41	08360612	3	Resistor 1/4 L 330 $\Omega$ J
42	09030628	9	Test Point
43	02900611	3	Binding Head Tapping Screw 2, 3 x 10
44	02890614	2	Binding Head Tapping Screw 2, 3 x 18



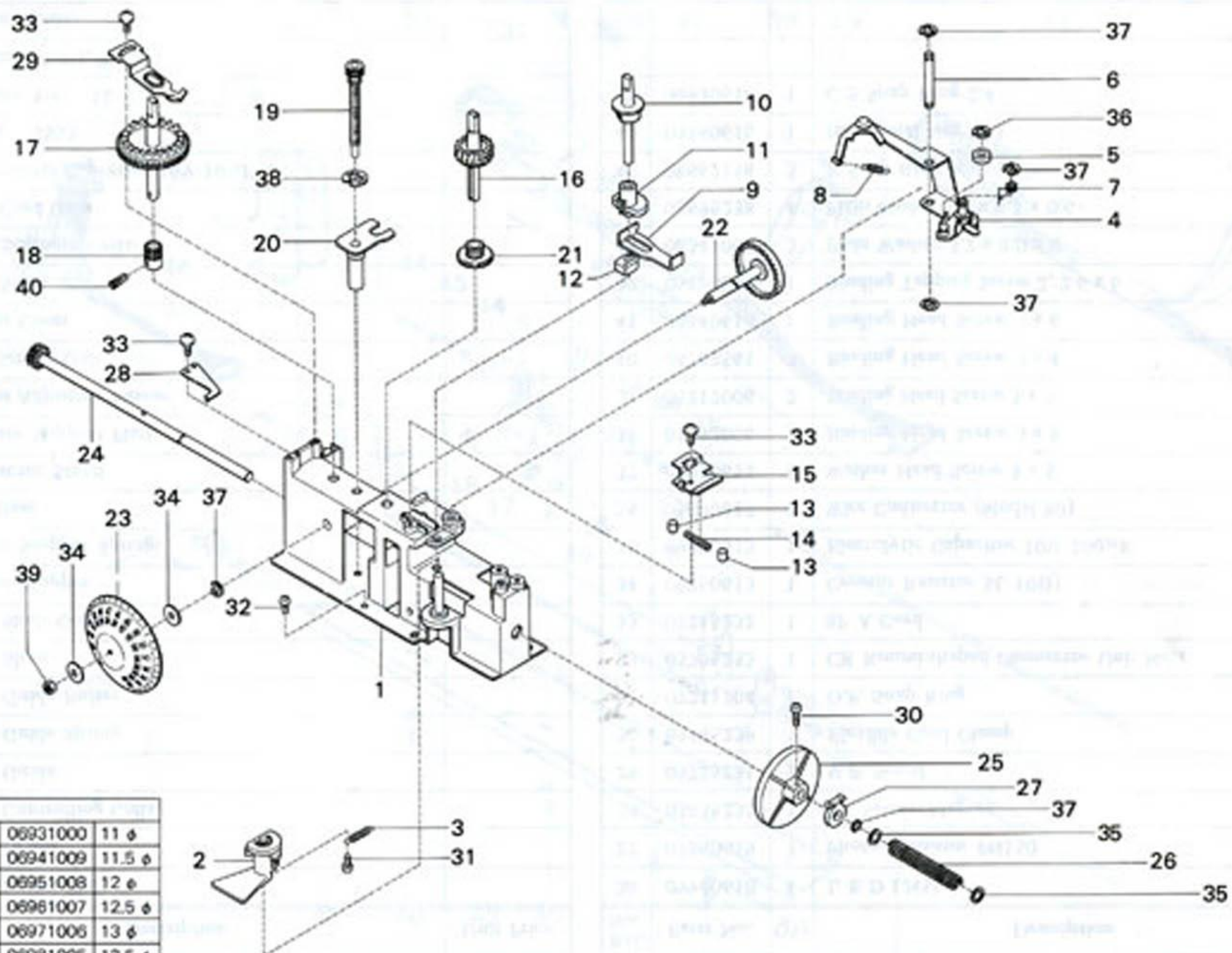




Ref. No.	Parts No.	Q'ty	Description	Unit Price
1	03835238	1	Scan Frame Unit	
2	03320611	2	Scan Frame	
3	03330610	2	Scan Controlling Collar	
4	03355237	1	Scan Guide	
5	03365236	1	Scan Guide Spring	
6	03375235	2	Scan Guide Buffer	
7	03340619	1	Scan Shaft	
8	03620614	1	Scan Shaft Collar	
9	03385234	1	Sensor Stopper	
10	03430618	1	Sensor Stopper Spring	
11	03555232	1	C R Base	
12	03565231	1	Connector Stand	
13	03530615	1	Resistor Support Plate	
14	03955234		Sensor Adjusting Washer	
15	03455235	1	C R Sensor Unit	
16	03470614	1	Sensor Cover	
17	03490612	1	Scan Solenoid	
18	03500618	2	Scan Solenoid Collar	
20	09275231	1	8P B Cord Unit	
21	09430612	1	Electrolytic Capacitor 16V 10 $\mu$ F	
22	09080615	2	Diode 1 SS53	
23	09680612	2	Resistor 1/4 L 120 $\Omega$ J	
24	08400616		(Resistor 1/4 L 91 $\Omega$ J)	
25	03825239	1	Sensor Holder	

Ref. No.	Parts No.	Q'ty	Description
26	09940610	1	L E D LN55
27	09950619	1	Photo-transistor PN150
28	03635232	1	CR Sensor Magnet
29	03725231	1	V R Board
30	03585239	1	Flexible Cord Clamp
31	07211204	1	O.P. Snap Ring
32	03705233	1	CR Round-shaped Connector Unit No.1
33	09265232	1	8P A Cord
34	09750613	1	Cement Resistor 5L 10 $\Omega$ J
35	09420613	1	Electrolytic Capacitor 10V 100 $\mu$ F
36	03690617	2	Wire Connector (Model 80)
37	08030611	8	Washer Head Screw 3 x 5
38	01332006	2	Binding Head Screw 3 x 6
39	05212006	2	Binding Head Screw 3 x 5
40	04782561	3	Binding Head Screw 3 x 4
41	03540614	1	Binding Head Screw 3 x 6
42	05180617	1	Binding Tapping Screw 2, 2.6 x 6
43	06341002	3	Plain Washer 3.2 x 8.0 x 8
44	03595238	4	Plain Washer 5.2 x 8.5 x 0.6
45	08662116	3	E Snap Ring 3
46	03940616	1	Hexagonal Nut 1, 3
47	02930618	1	C S Snap Ring 2.4



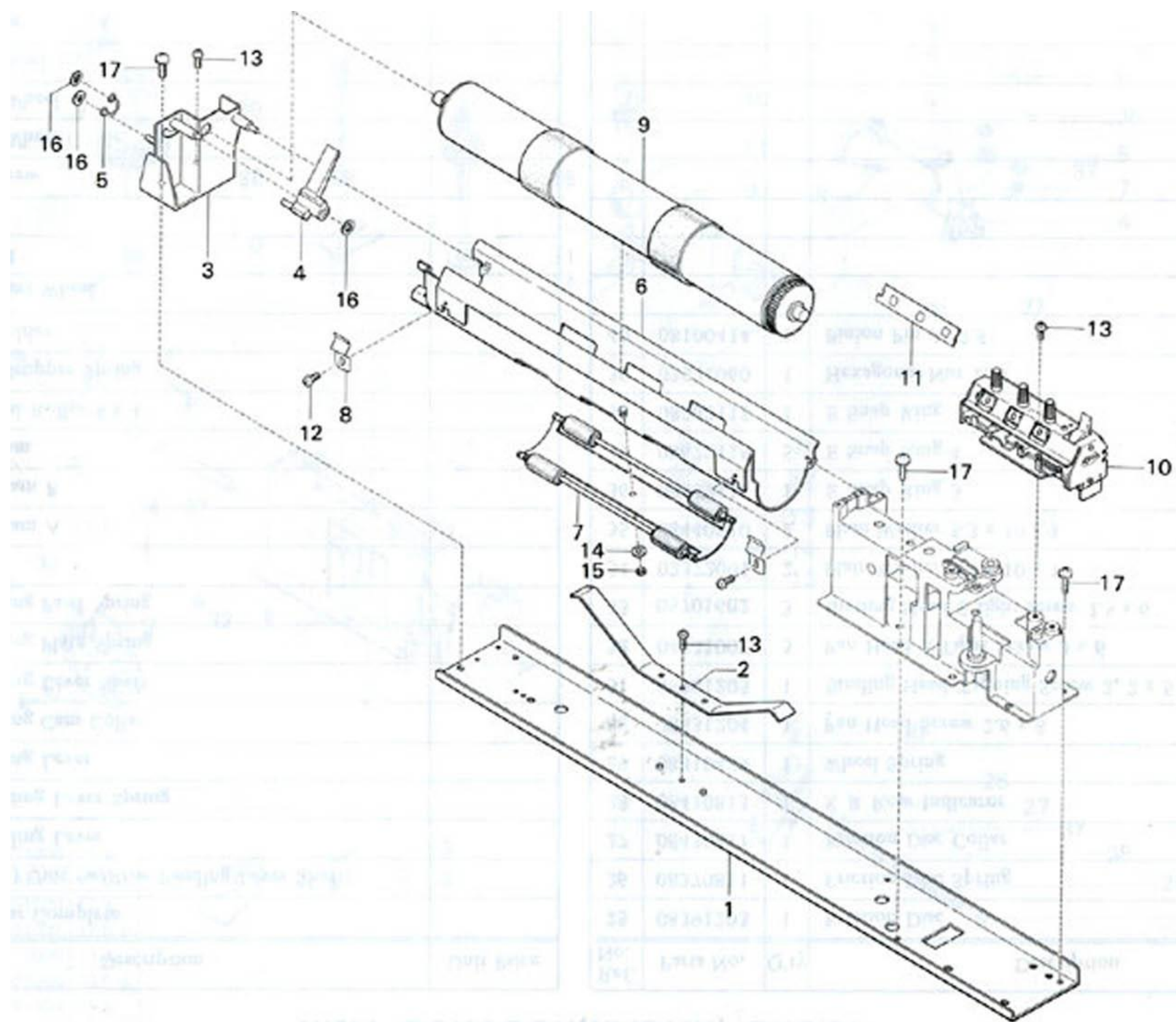


Ref. No. 5

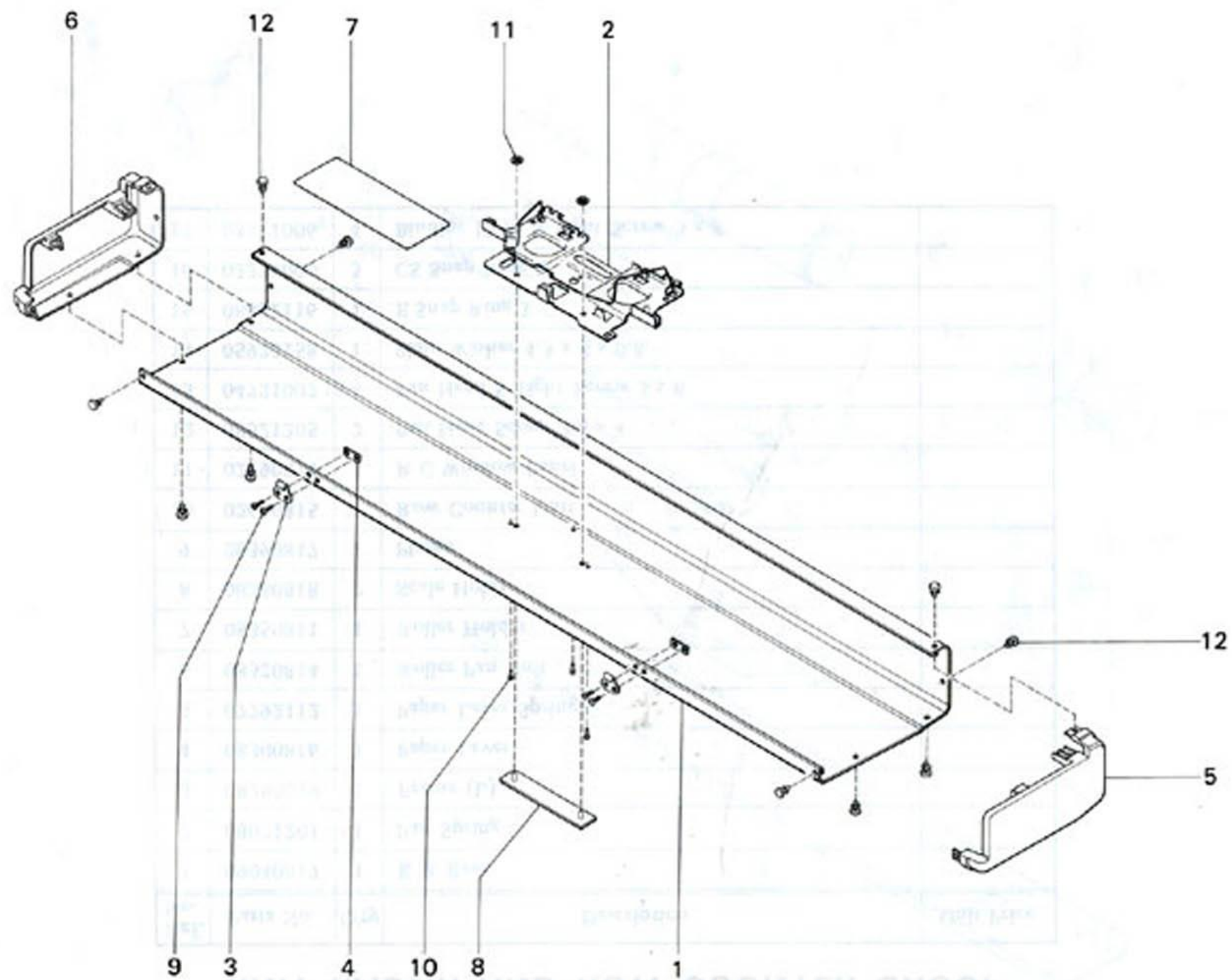
06851000	7 φ	06931000	11 φ
06861009	7.5 φ	06941009	11.5 φ
06871008	8 φ	06951008	12 φ
06881007	8.5 φ	06961007	12.5 φ
06891006	9 φ	06971006	13 φ
06901003	9.5 φ	06981005	13.5 φ
06911002	10 φ	06991004	14 φ
06921001	10.5 φ		

СЧИ ЕРАМЕ СВОЛЕ

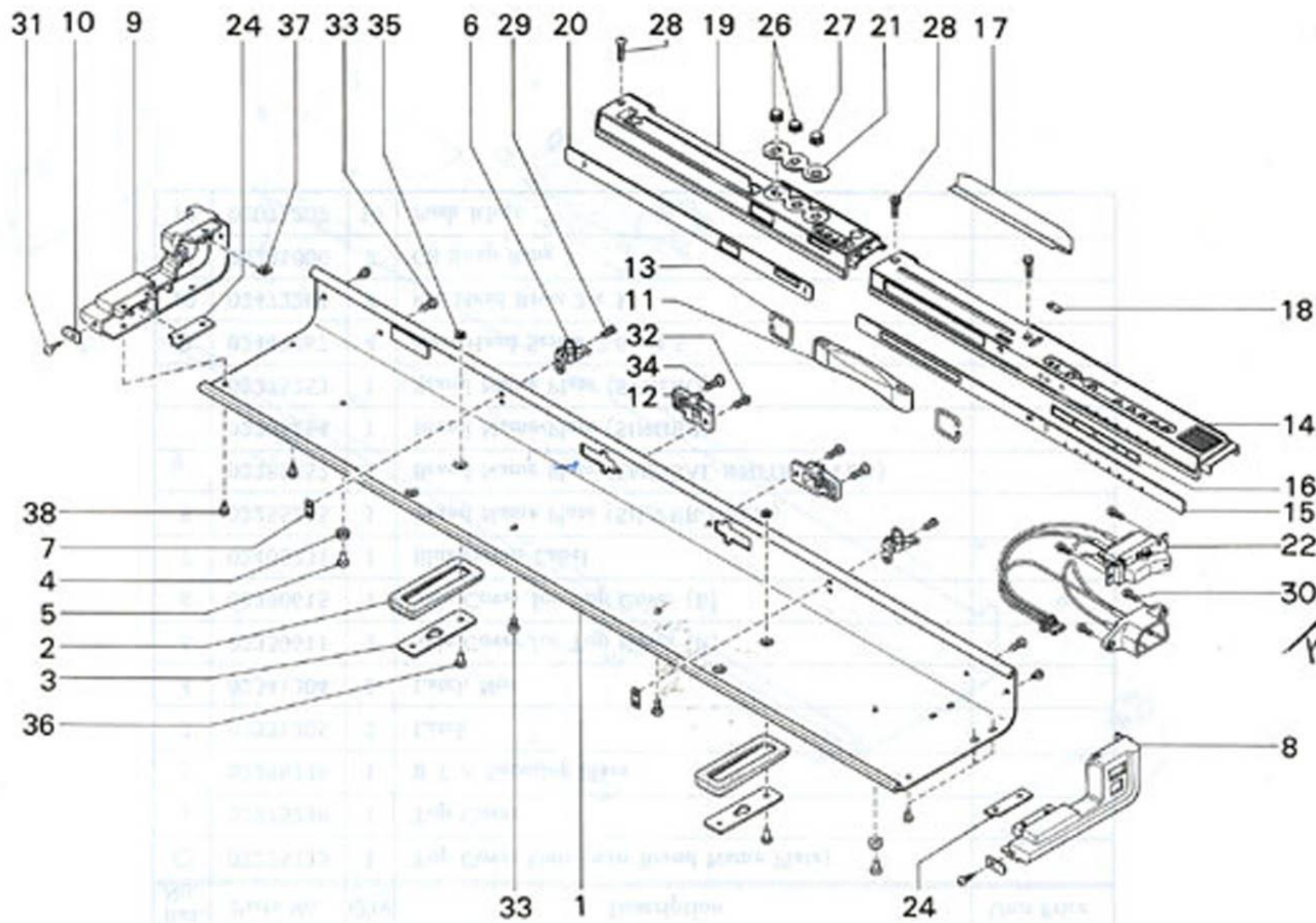




Ref. No.	Parts No.	Q'ty	Description
1	09040817	1	K R Base
2	08071201	1	Pan Spring U
3	08290819	1	Frame (L)
4	08300816	1	Paper Lever
5	07792112	1	Paper Lever Spring
6	08320814	1	Roller Pan Unit
7	08350811	1	Roller Holder
8	08380818	2	Scale Holder
9	08390817	1	Platen
10	02600815	1	Row Counter Unit
11	02790814	1	R C Window Panel
12	08521205	2	Pan Head Screw 2.6 x 4
13	04721007	4	Pan Head S Tight Screw 3 x 6
14	05922158	1	Plain Washer 4.3 x 8 x 0.8
15	08662116	1	E Snap Ring 3
16	02221000	3	CS Snap Ring 3
17	03171006	4	Binding Head S Tight Screw 3 x 8



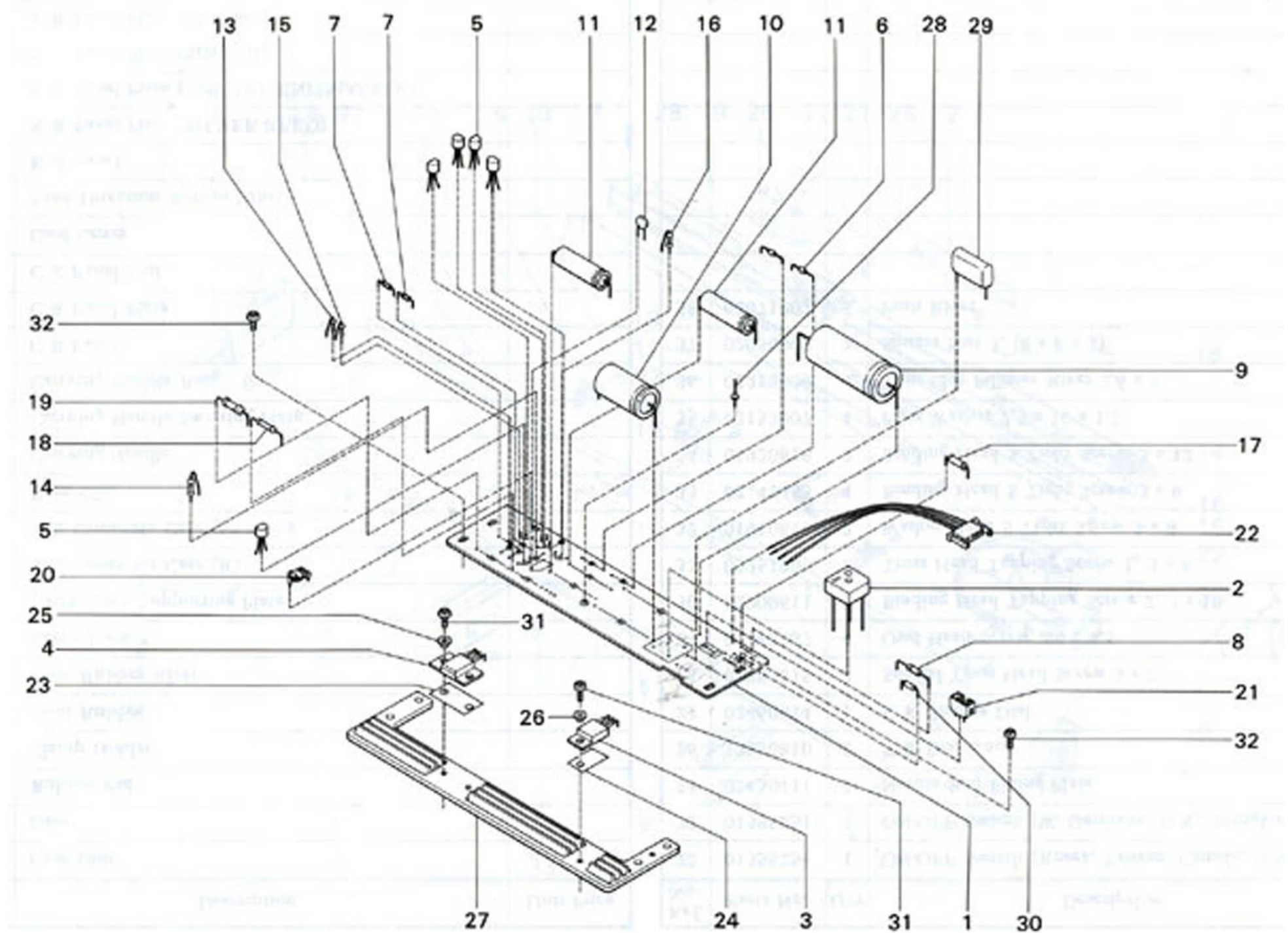
Ref. No.	Parts No.	Q'ty	Description
○	02225233	1	Top Cover Unit (w/o Brand Name Plate)
1	02275238	1	Top Cover
2	02295236	1	B T A Securing Plate
3	02331205	2	Latch
4	02341204	2	Latch Nut
5	02330611	1	Side Cover for Top Cover (R)
6	02390615	1	Side Cover for Top Cover (L)
7	02405231	1	Illustration Label
8	02255255	1	Brand Name Plate (SILVER-REED)
	02285252	1	Brand Name Plate (EMPISAL-KNITMASTER)
	02265254	1	Brand Name Plate (SINGER)
	02275253	1	Brand Name Plate (STUDIO)
9	02442267	4	Oval Head Screw 2.6 x 4,5
10	02472264	3	Pan Head Rivet 2 x 3
11	02221000	2	CS Snap Ring 3
12	02071207	10	Push Rivet



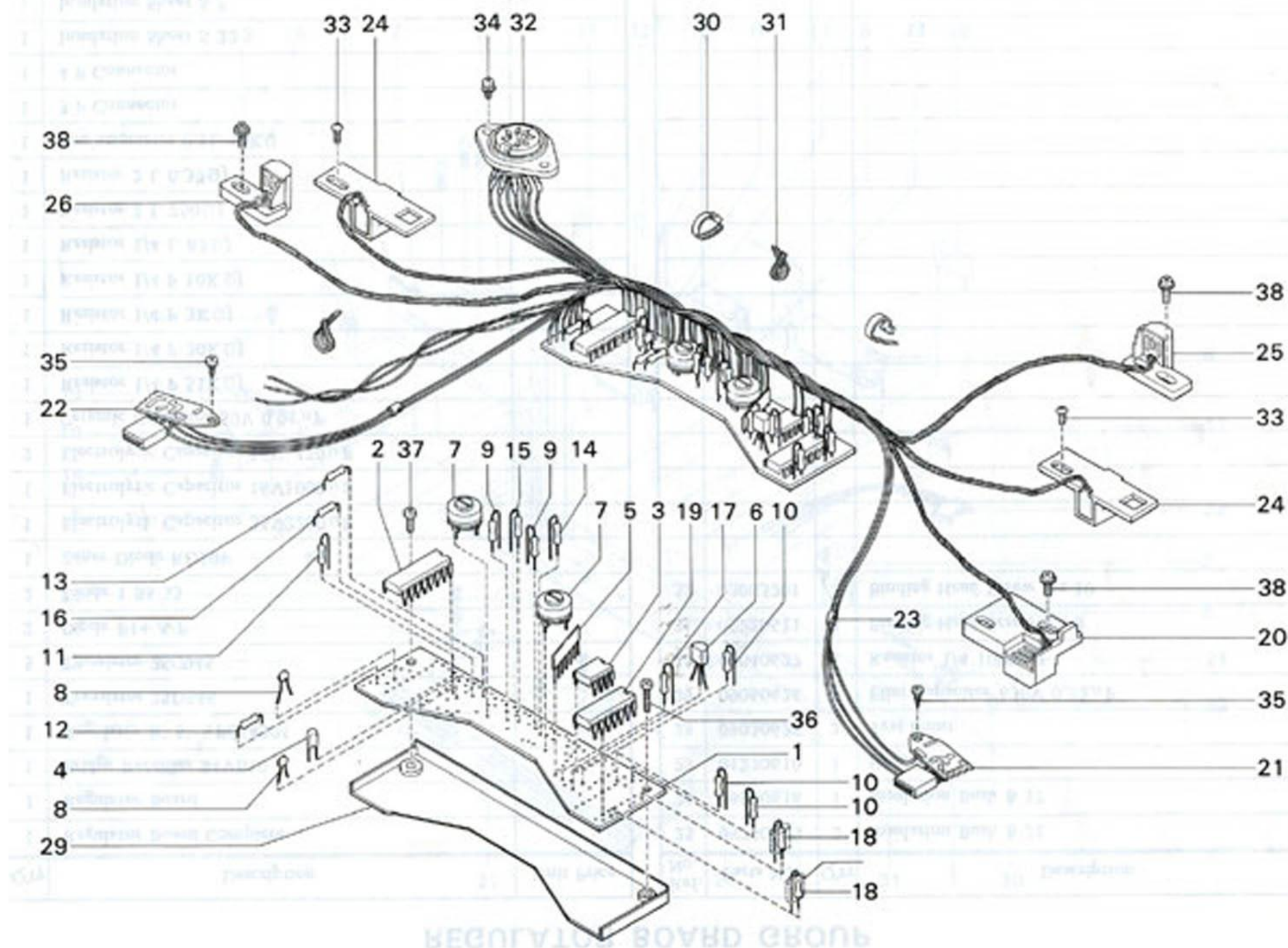
Transformer  
Pg. #34





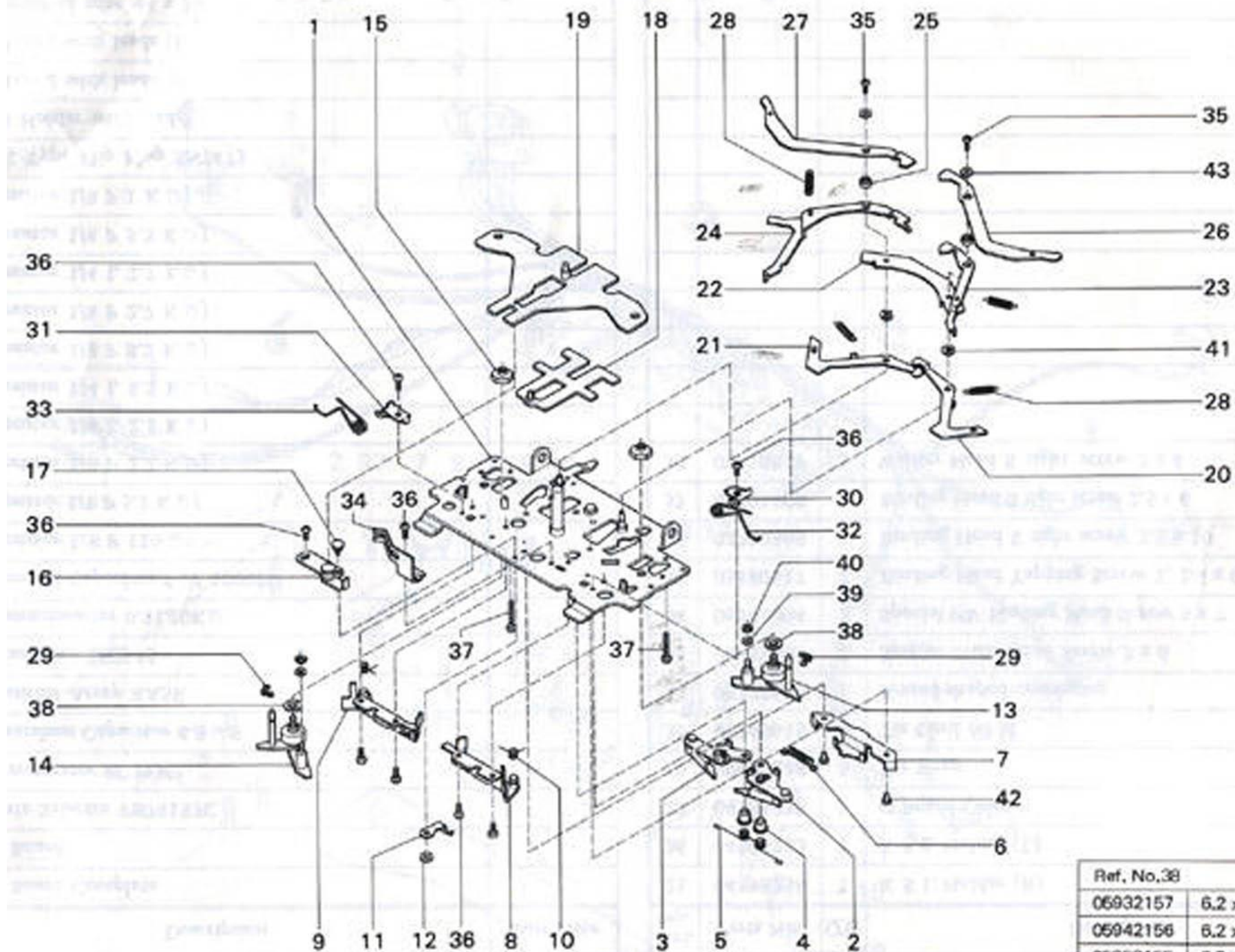






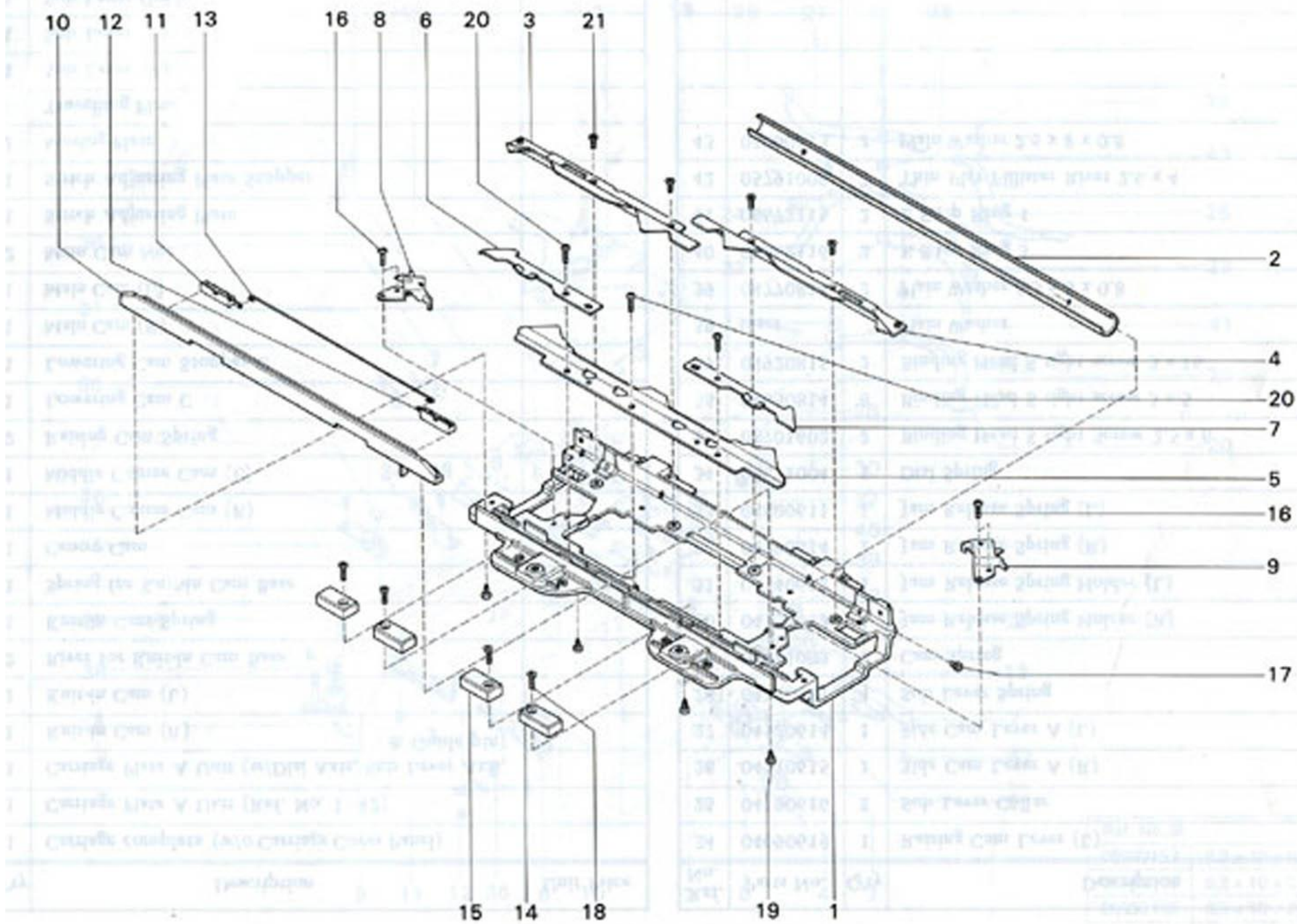
ВЕСИГАТОР БОАРД СВОЛЪ





Ref. No.38l	
06932157	6,2 x 10 x 0,06
06942156	6,2 x 10 x 0,1
06952155	6,2 x 10 x 0,2
06962154	6,2 x 10 x 0,3

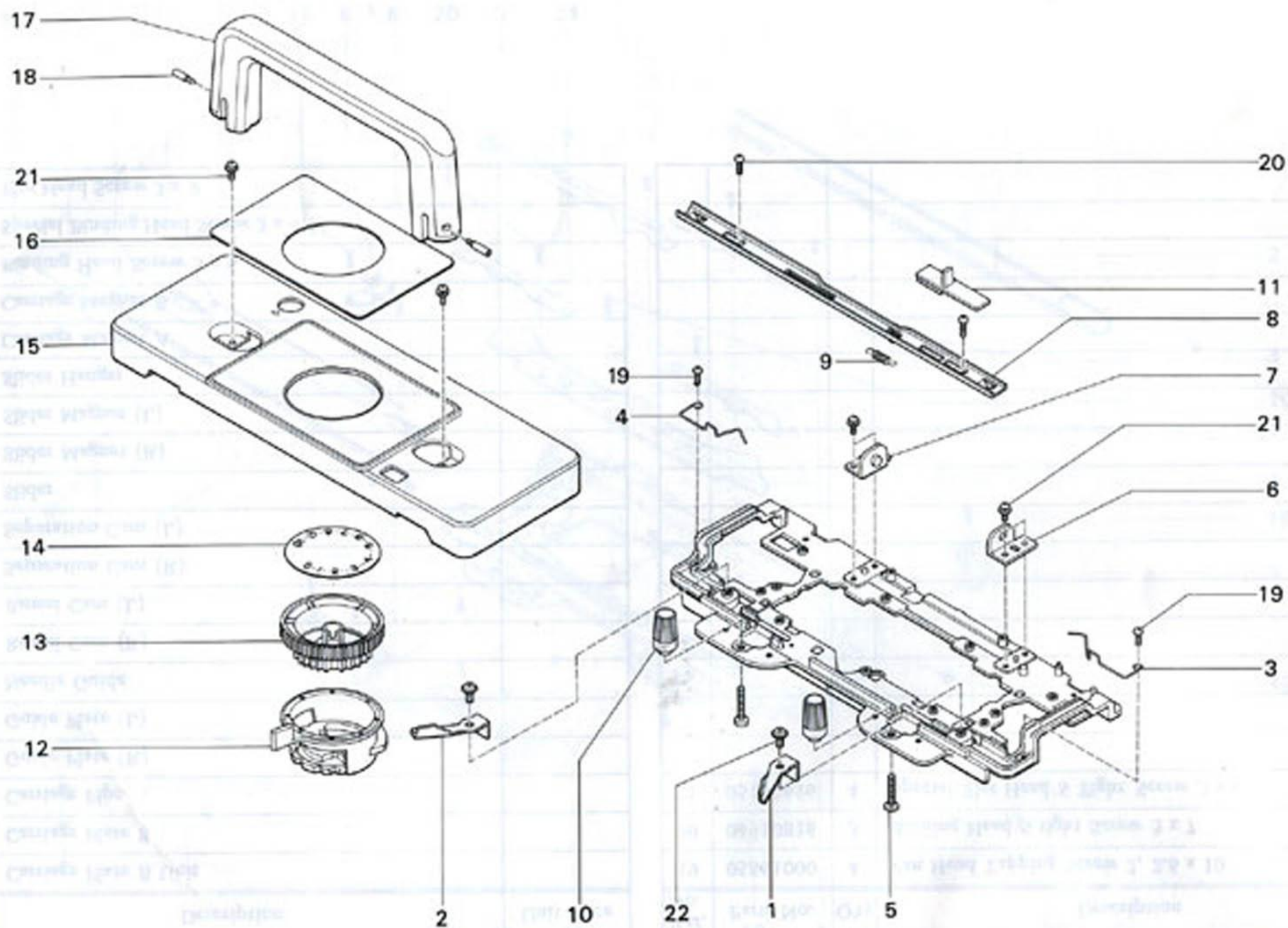




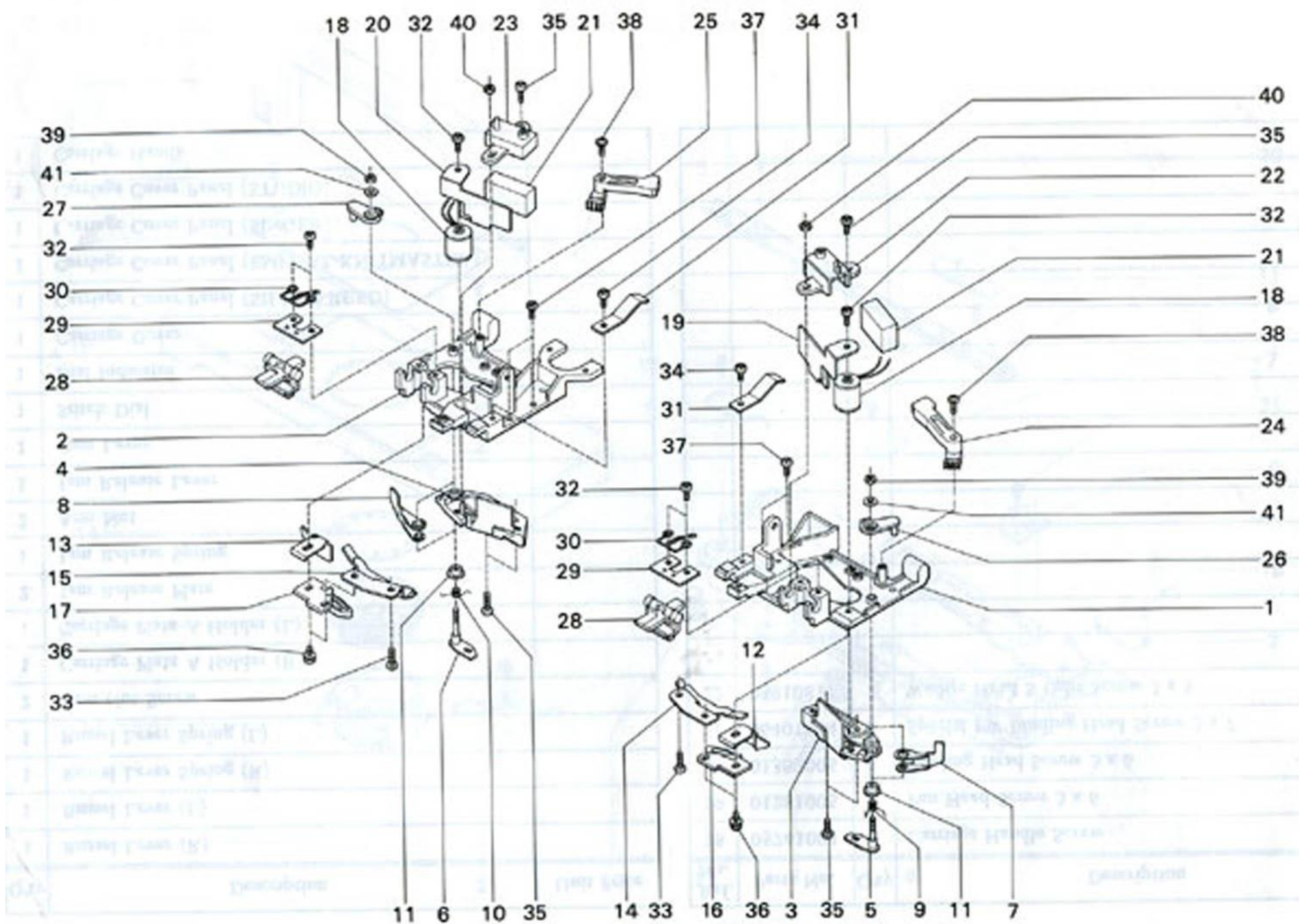
К САВВІАСЕ ВВОЛЬ (А)





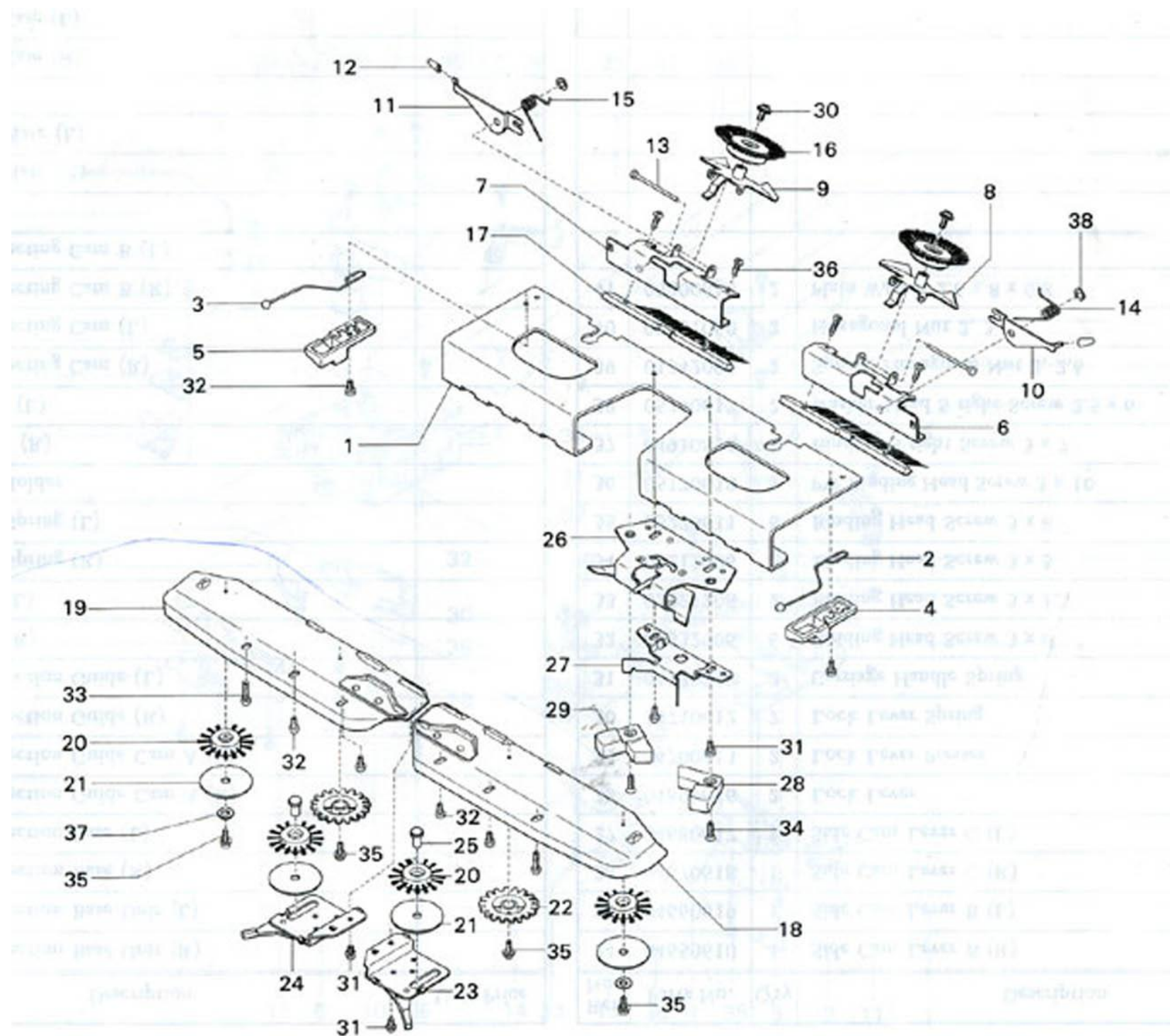






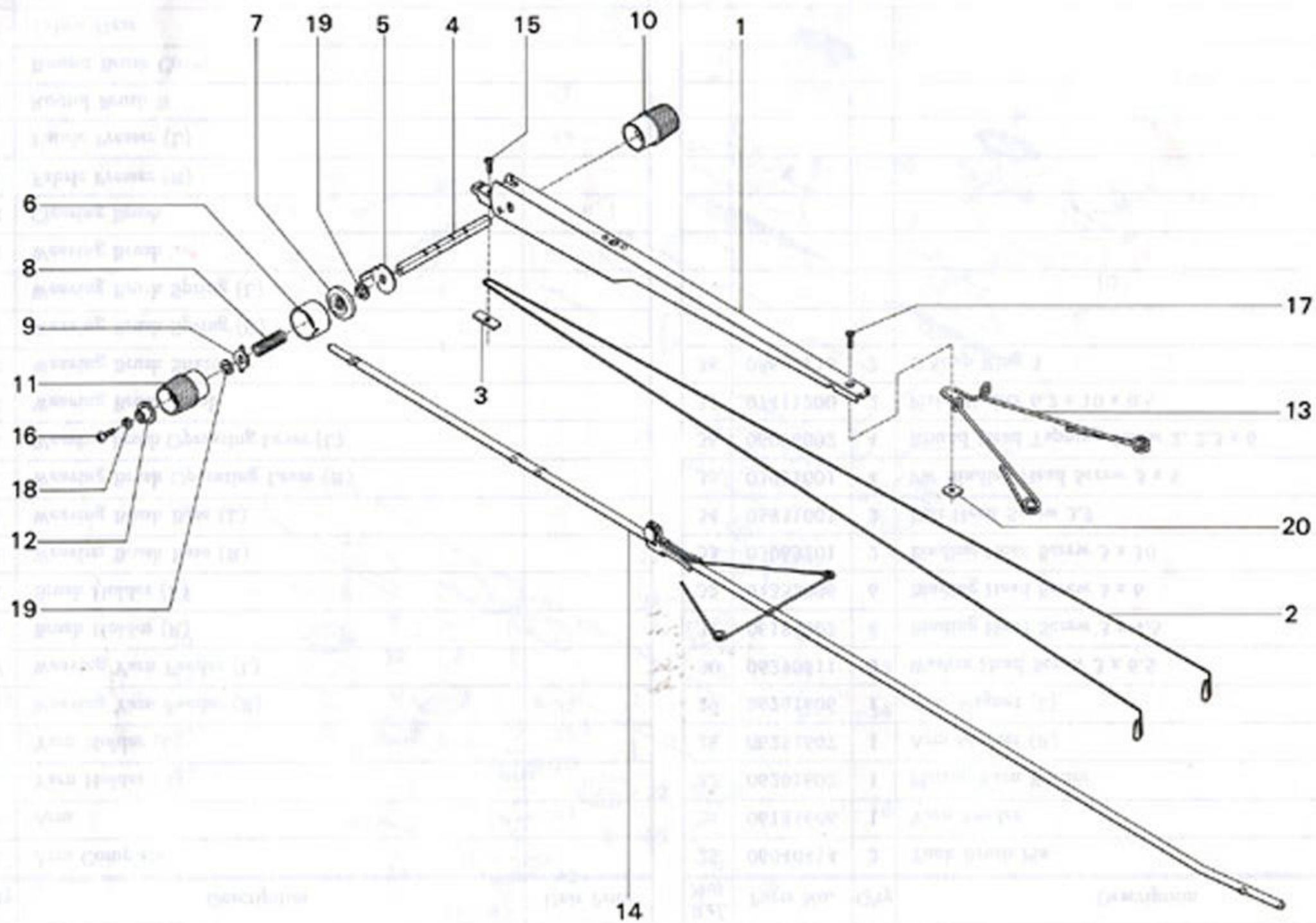
К СЕРВИСЕ ГРУПП (С)





К САРРИАСЕ СНОЛЬ (D)





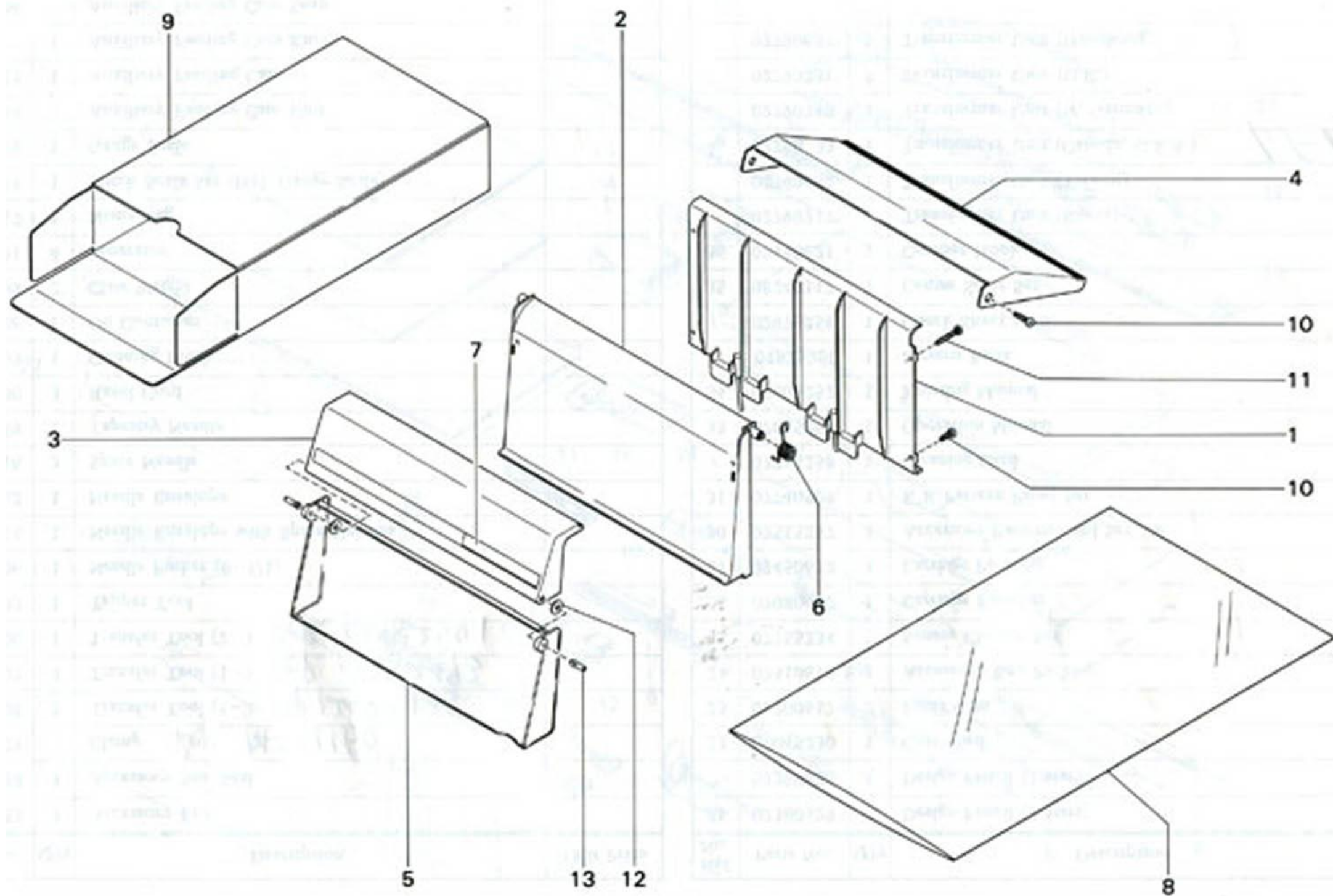
Ref. No.	Parts No.	Q'ty	Description
○	07011604	1	Tension Unit (excepting Yarn Rod)
1	07790611	1	Tension Arm
2	17182007	1	Tension Spring
3	07021009	1	Tension Spring Securing Plate
4	07051600	1	Tension Shaft
5	07112006	2	Yarn Stopper Plate
6	07082001	2	Tension Disc A
7	07092000	2	Tension Disc B
8	07131600	2	Tension Disc Spring
9	07111602	2	Tension Disc Spring Stopper
10	07071608	1	Tension Dial (R)
11	07081607	1	Tension Dial (L)
12	07151608	2	Dial Stopper
13	07141609	1	V-shaped yarn guide
14	07010614	1	Yarn Rod Unit
15	07031008	1	Binding Head Screw 2.6 x 5
16	05220611	2	Binding Head Screw 3 x 8
17	07541600	1	Oval Counter sunk screw 3 x 7
18	07581606	2	Spring Washer 2, 3
19	08672115	4	E Snap Ring 4
20	02036002	1	Square Nut 3 (8 x 8 x 2)



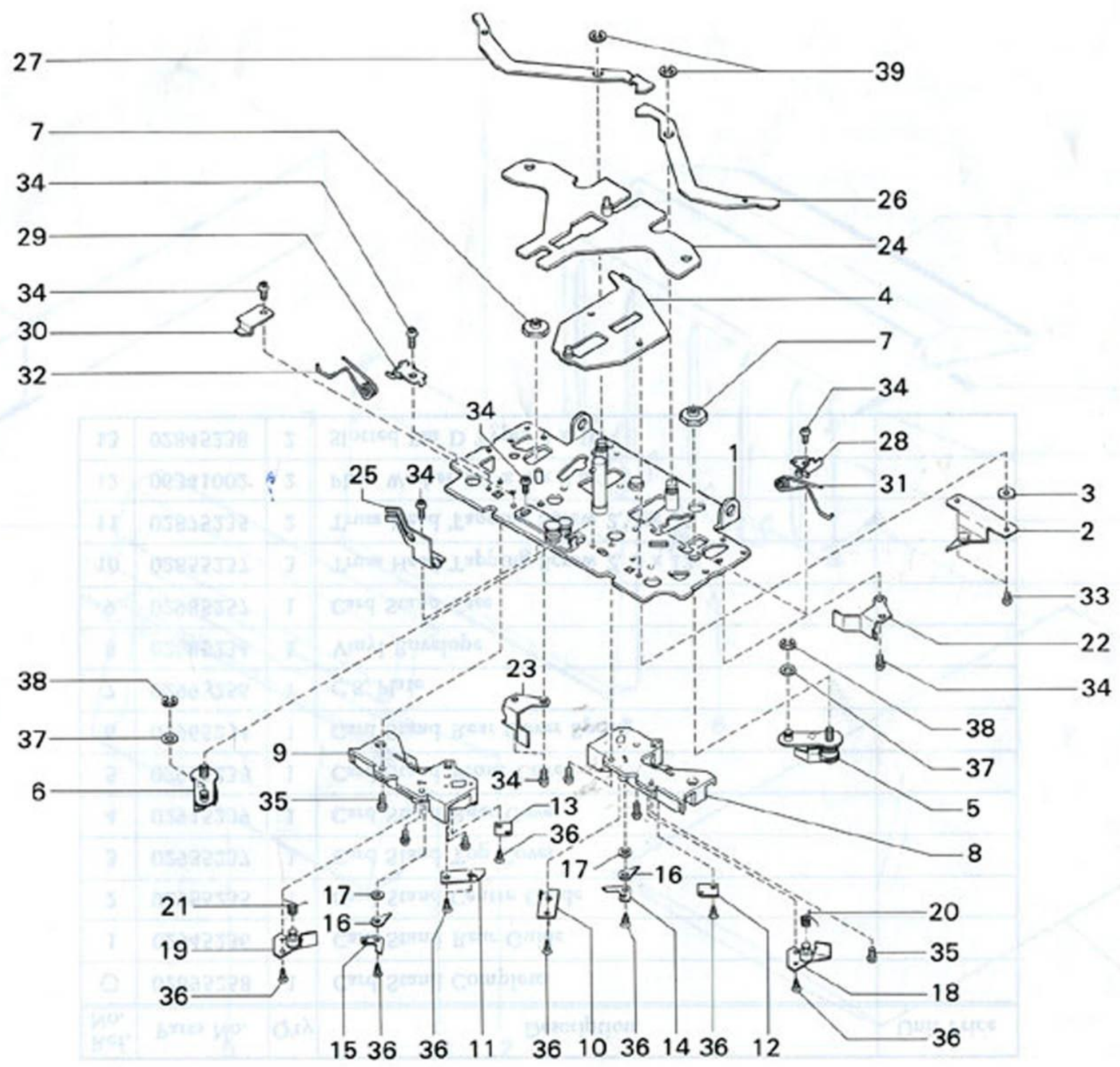


Ref. No.	Parts No.	Q'ty	Description	Unit Price
1	07355233	1	Accessory Box	
/	07425259	1	Accessory Box Seal	
2	07321201	2	Clamp Rep. 14321160	
3	07352008	1	Transfer Tool (1-2) Rep. 12482485	
4	07362007	1	Transfer Tool (1-3) Rep. 12482493	
5	07372006	1	Transfer Tool (2-3) Rep. 12482501	
6	07312002	1	Tappet Tool	
7	07292006	1	Needle Pusher (0-1/1)	
	02980365	1	Needle Envelope with Spare Needles	
8	02910362	1	Needle Envelope	
9	01130616	3	Spare Needle	
10	07425259	1	Tapestry Needle	
11	07332000	3	Ravel Cord	
12	07342009	1	Cleaning Brush	
13	07922008	1	Oil Container	
14	07422009	2	Claw Weight	
15	17221201	4	Separator	
16	07411457	1	Name Tag	
17	08142119	1	Stitch Scale Set (Incl. Gauge Scale)	
18	08252116	1	Gauge Scale	
19	07170814	1	Auxiliary Feeding Cam Unit	
/	07180813	1	Auxiliary Feeding Cam	
/	17191206	1	Auxiliary Feeding Cam Knob	
/	07211204	1	Auxiliary Feeding Cam Snap	
20	07115256	2	N 1 Cam	

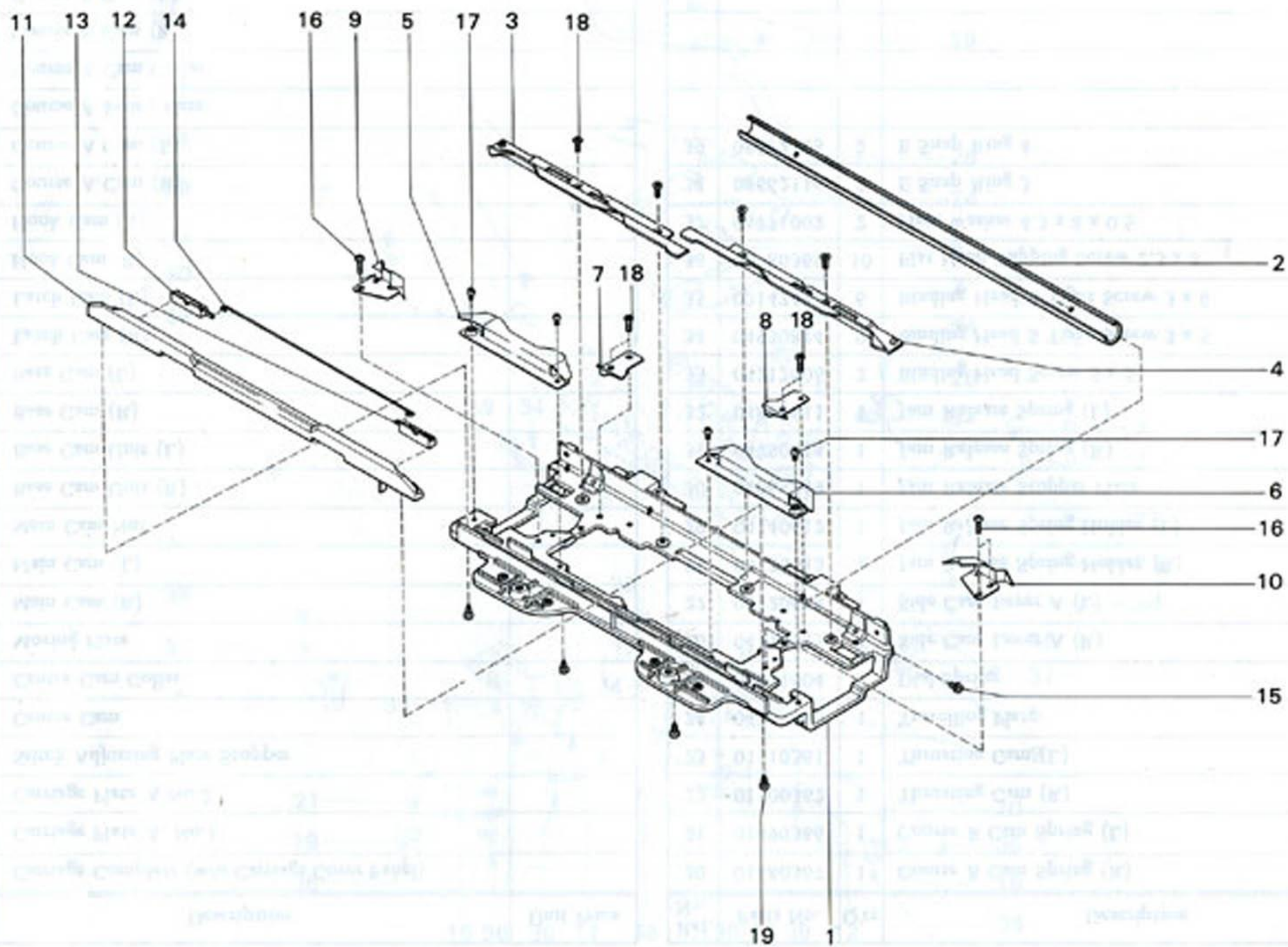
Ref. No.	Parts No.	Q'ty	Description
21	07380629	1	Design Pencil (3 stars)
/	07390628	1	Design Pencil (1 star)
22	07045230	1	Curl Cord
23	01200617	2	Point Cam
24	07410616	1	Accessory Box Packing
25	07755234	1	Sensor Cleaner Set
26	07080617	1	Carriage Fastener
27	07450612	1	Carriage Packing
30	07515257	1	Accessory Pattern Card Set
31	07740509	1	K R Pattern Paper Set
/	07765258	1	Cleaning Card
33	07815251	1	Operation Manual
34	07805252	1	Knitting Manual
/	07825250	1	Pattern Book
/	02975258	1	Check Sheet (E/S)
35	08242117	1	Centre Scale Set
36	07440621	1	Crochet Hook
	02790717	1	Transformer Unit (Korea)
	02790632	1	Transformer Unit (Taiwan)
	02790723	1	Transformer Unit (Canada, U.S.A.)
	02790749	1	Transformer Unit (W. Germany)
	02790731	1	Transformer Unit (U.K.)
	02790657	1	Transformer Unit (Hongkong)



Ref. No.	Parts No.	Q'ty	Description
○	02895258	1	Card Stand Complete
1	02945236	1	Card Stand Rear Guide
2	02955235	1	Card Stand Centre Guide
3	02935237	1	Card Stand Top Cover
4	02915239	1	Card Stand Rear Cover
5	02925238	1	Card Stand Front Cover
6	02965234	1	Card Stand Rear Cover Spring
7	02995256	1	C.S. Plate
8	02885234	1	Vinyl Envelope
9	02985257	1	Card Stand Case
10	02855237	3	Truss Head Tapping Screw 2, 3 x 12
11	02875235	2	Truss Head Tapping Screw 2, 3 x 25
12	06341002	2	Plain Washer 3.2 x 8 x 0.8
13	02845238	2	Slotted Pin D Type, 3 x 10

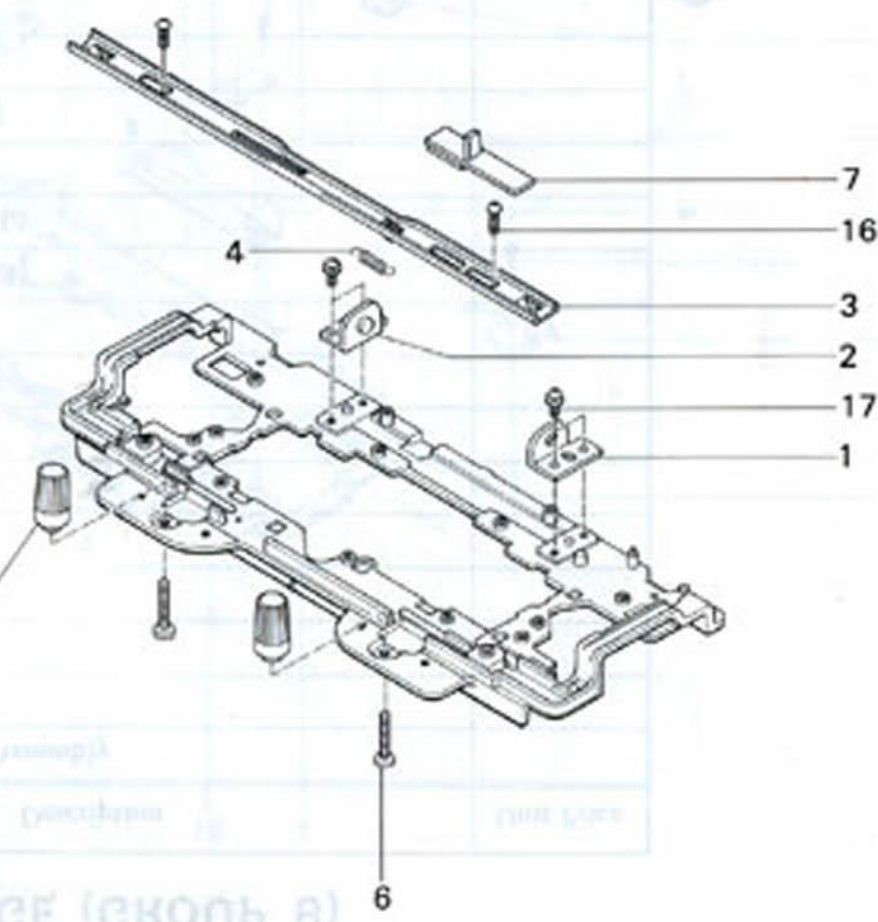
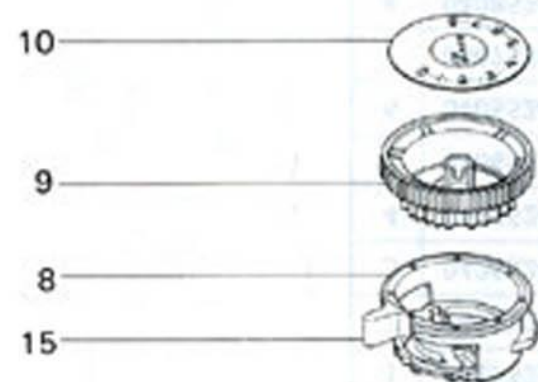
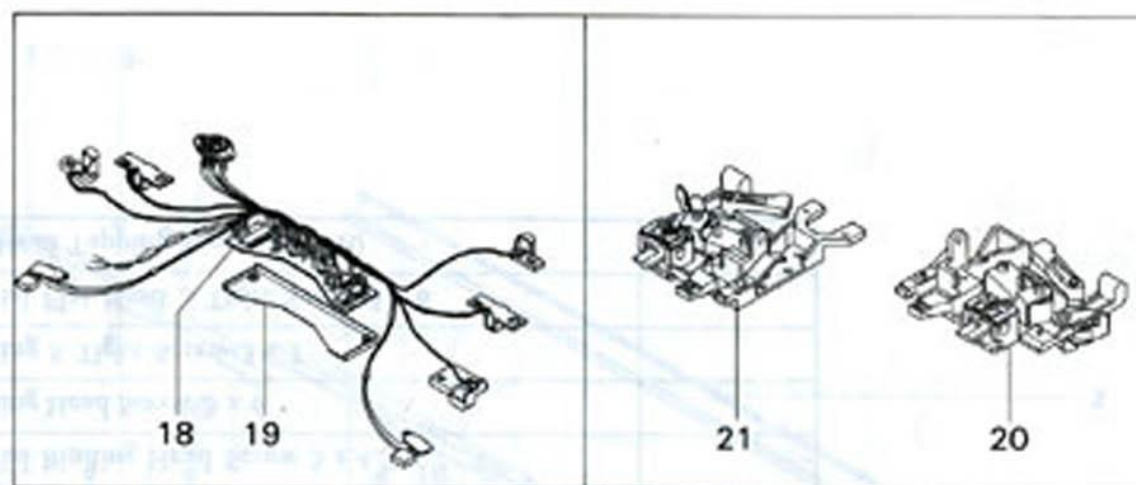
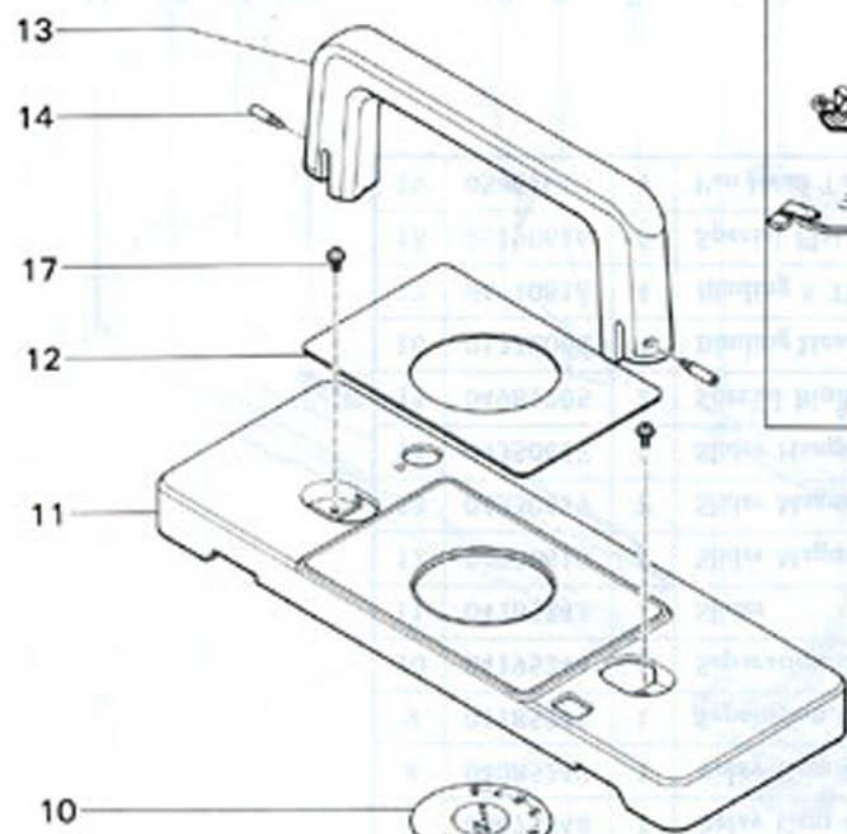






Ref. No.	Parts No.	Q'ty	Description
○	05915244	1	Carriage Plate B Assembly
1	05275235	1	Carriage Plate B
2	14271209	1	Carriage Pipe
3	04265245	1	Guide Plate (R)
4	04275244	1	Guide Plate (L)
5	04045241	1	Needle Guide (R)
6	04055240	1	Needle Guide (L)
7	04075248	1	Relay Cam (R)
8	04085247	1	Relay Cam (L)
9	04185245	1	Separation Cam (R)
10	04195244	1	Separation Cam (L)
11	04285243	1	Slider
12	04320610	1	Slider Magnet (R)
13	04330619	1	Slider Magnet (L)
14	04350617	1	Slider Hanger
15	04981205	2	Special Binding Head Screw 3 x 4.5
16	01332006	4	Binding Head Screw 3 x 6
17	04910816	4	Binding S Tight Screw 3 x 7
18	05190616	8	Special Flat Head S Tight Screw 3 x 6
19	05861000	4	Pan Head Tapping Screw 2.6 x 10

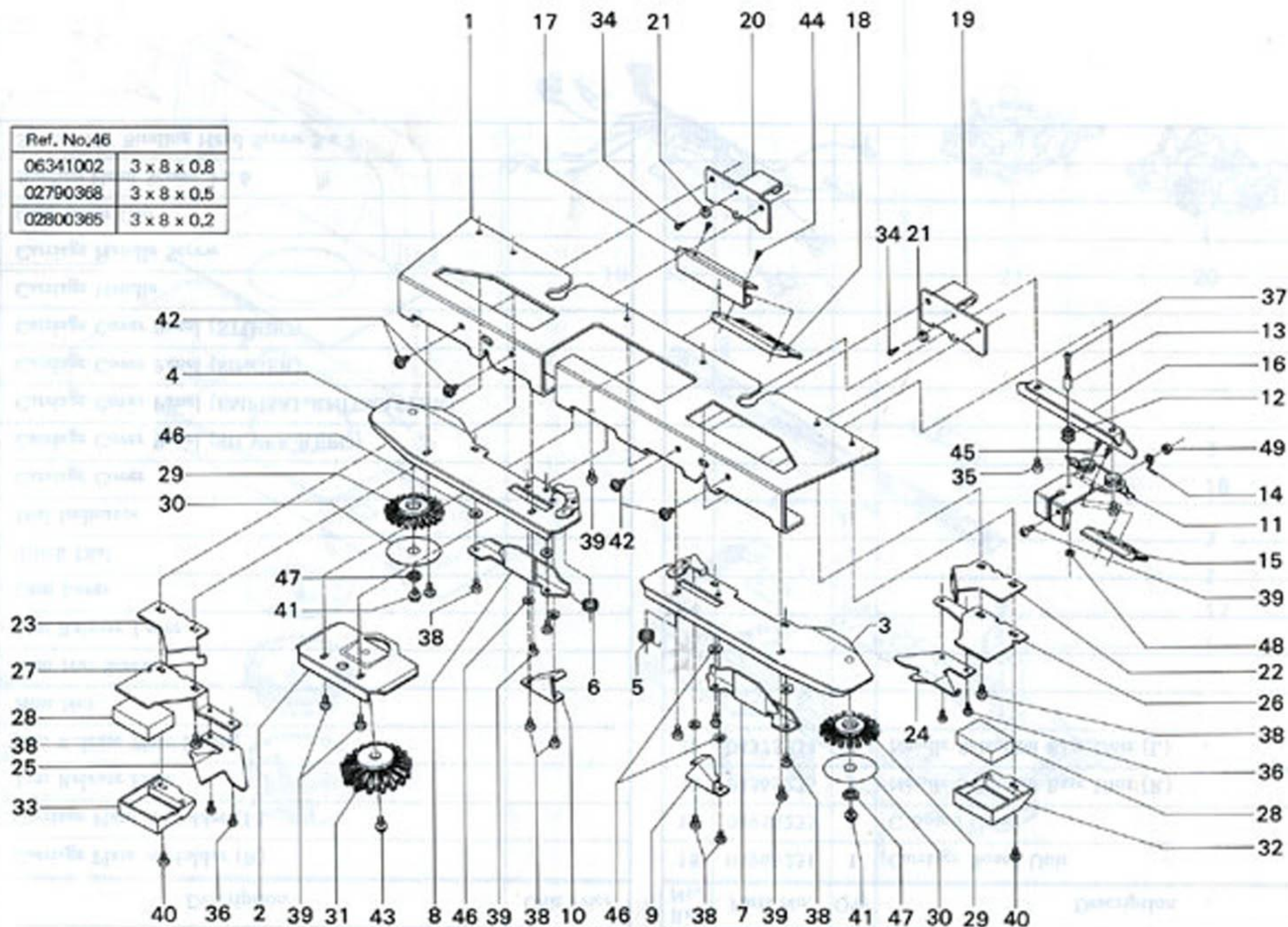




Г САРЫЛҒЕ (СВОЛЬ В)

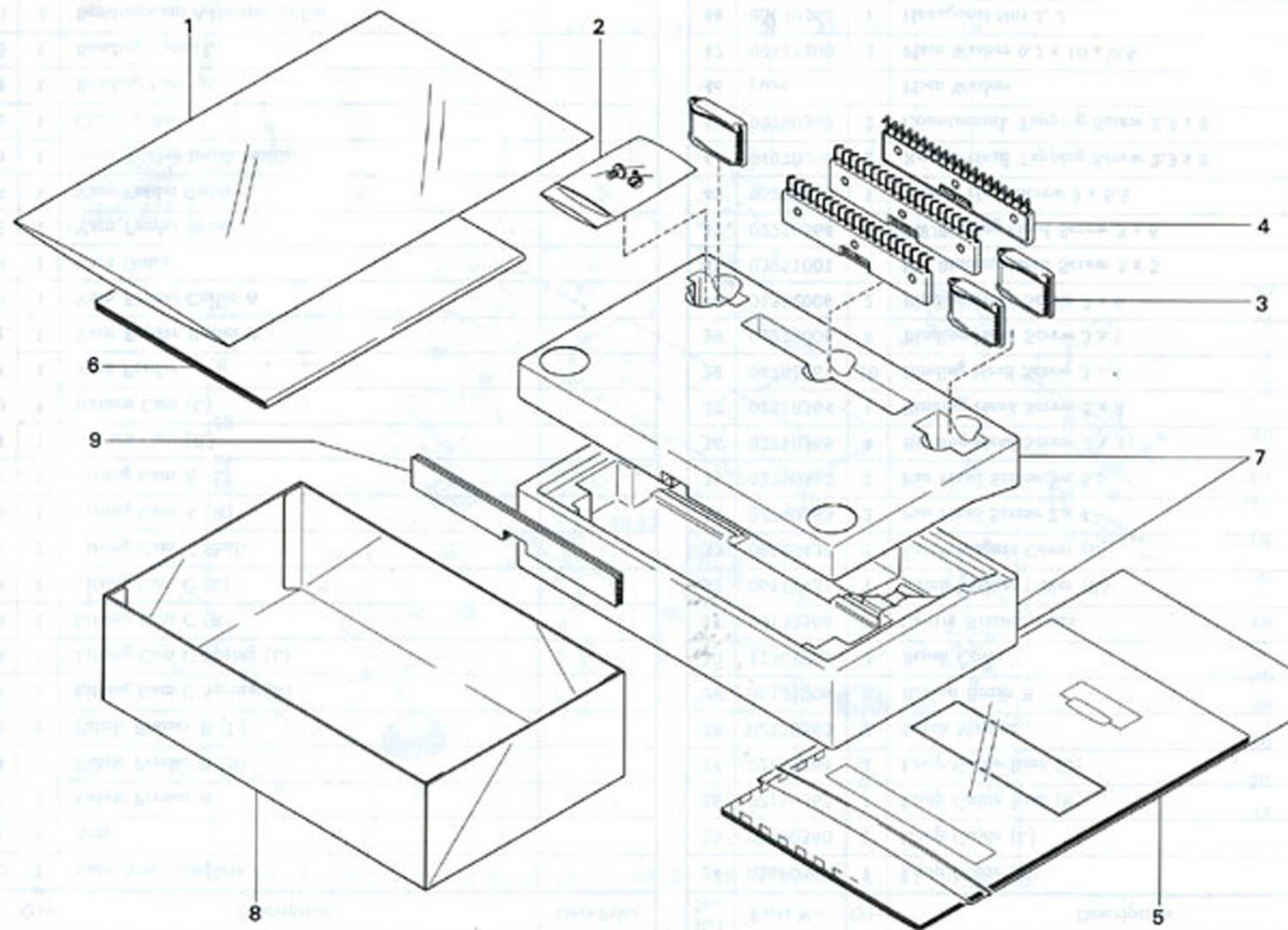


Ref. No.46	
06341002	3 x 8 x 0,8
02790368	3 x 8 x 0,5
02800365	3 x 8 x 0,2



Ref. No.	Parts No.	Q'ty	Description	Unit Price
○	06505242	1	Lace Arm Complete	
1	01770361	1	Arm	
2	01780360	1	Fabric Presser A	
3	01820364	1	Fabric Presser B (R)	
4	01830363	1	Fabric Presser B (L)	
5	01890367	1	Lifting Cam C Spring (R)	
6	01900364	1	Lifting Cam C Spring (L)	
/	02600369	1	Lifting Cam C (R)	
/	02610368	1	Lifting Cam C (L)	
/	01880368	2	Lifting Cam C Shaft	
7	01915248	1	Lifting Cam A (R)	
8	01925247	1	Lifting Cam A (L)	
9	01930361	1	Return Cam (R)	
10	01940360	1	Return Cam (L)	
11	01960368	1	Yarn Feeder	
12	02010361	1	Yarn Feeder Roller A	
13	02020360	1	Yarn Feeder Collar A	
14	02030369	1	Yarn Guide	
15	02640365	1	Yarn Feeder Brush	
16	02650364	1	Yarn Feeder Guide	
17	02660363	1	Yarn Feeder Brush Holder	
18	02670362	1	Clearing Brush	
19	02080364	1	Bending Cam (R)	
20	02090363	1	Bending Cam (L)	
21	02100360	2	Bending Cam Adjusting Collar	
22	02110369	1	Latch Guide (R)	
23	02120368	1	Latch Guide (L)	

Ref. No.	Parts No.	Q'ty	Description
24	02680361	1	Loop Guide (R)
25	02690360	1	Loop Guide (L)
26	02150365	1	Loop Guide Base (R)
27	02160364	1	Loop Guide Base (L)
28	02170363	2	Latch Magnet
29	06121206	2	Round Brush B
30	17361205	2	Brush Cover
31	03130366	1	Centre Round Brush
32	06110431	1	Latch Magnet Cover (R)
33	06120430	1	Latch Magnet Cover (L)
34	02740363	2	Pan Head Screw 2 x 4
35	02750362	2	Pan Head Screw 3 x 3.5
36	02710366	4	Binding Head Screw 2 x 3
37	02810364	1	Binding Head Screw 2 x 8
38	04782561	10	Binding Head Screw 3 x 4
39	05212006	8	Binding Head Screw 3 x 5
40	01332006	2	Binding Head Screw 3 x 6
41	03951001	2	PW Binding Head Screw 3 x 5
42	02730364	4	PW Binding Head Screw 3 x 6
43	06290811	1	Washer Head Screw 3 x 6.5
44	04970208	2	Round Head Tapping Screw 2.3 x 8
45	02780369	2	Countersunk Tapping Screw 2.3 x 8
46	inset		Plain Washer
47	07411200	2	Plain Washer 6.2 x 10 x 0.5
48	03090362	1	Hexagonal Nut 2, 2
49	02521060	1	Hexagonal Nut 2, 3



Ref. No.	Parts No.	Q'ty	Description
1	07435506	1	Carriage Envelope
2	07195241	1	Ribber Joiner Screws in Envelope
3	07422009	3	Claw Weight Rep. 07206824
4	02470367	3	Comb Weight Rep. 07686884
5	07635246	1	Lace Pattern Card Set Rep. 12456380
7	07605249	1	Styrofoam Set
8	07735244	1	Carton Box
9	09035494	1	Inner Packing