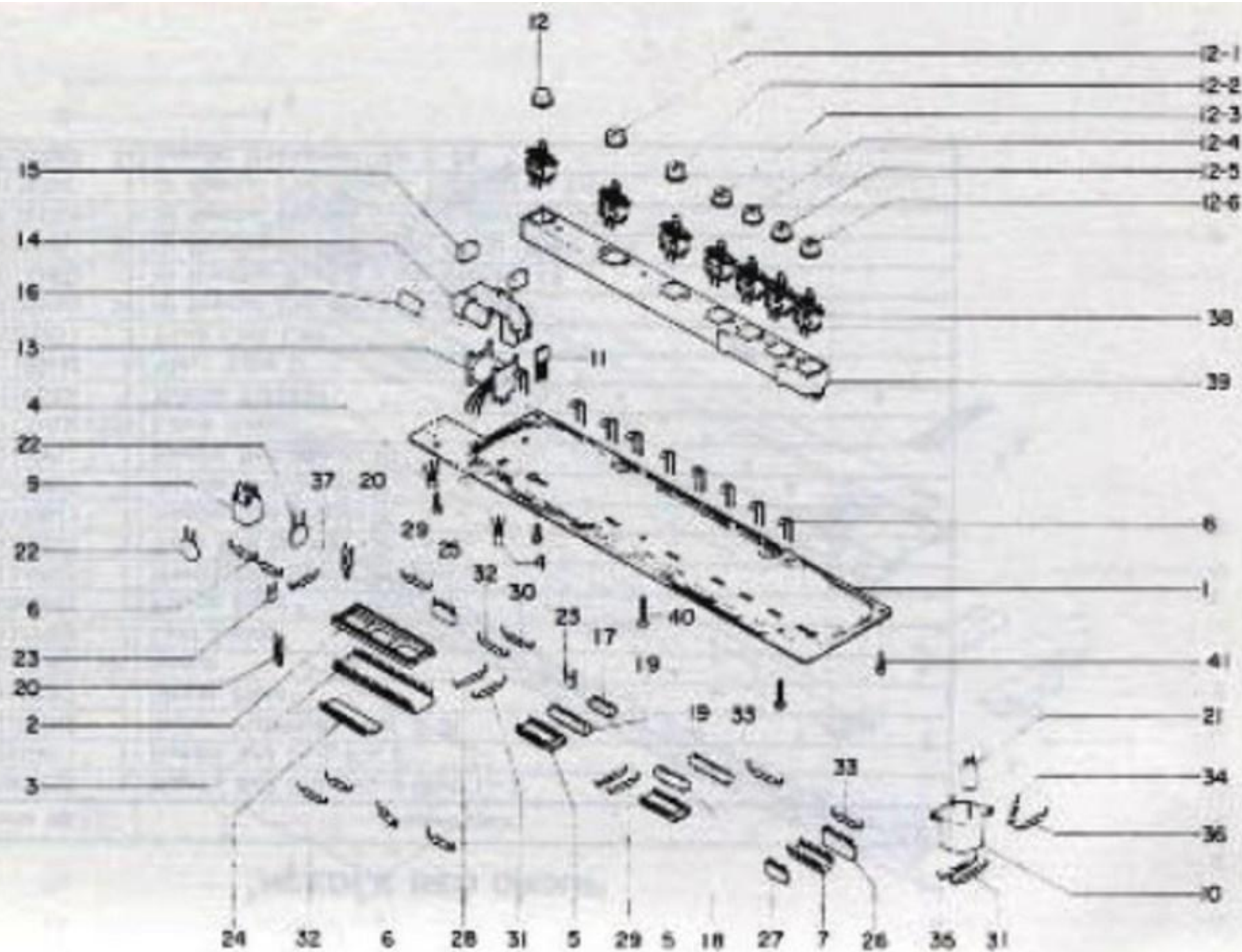


NEEDLE BED GROUP

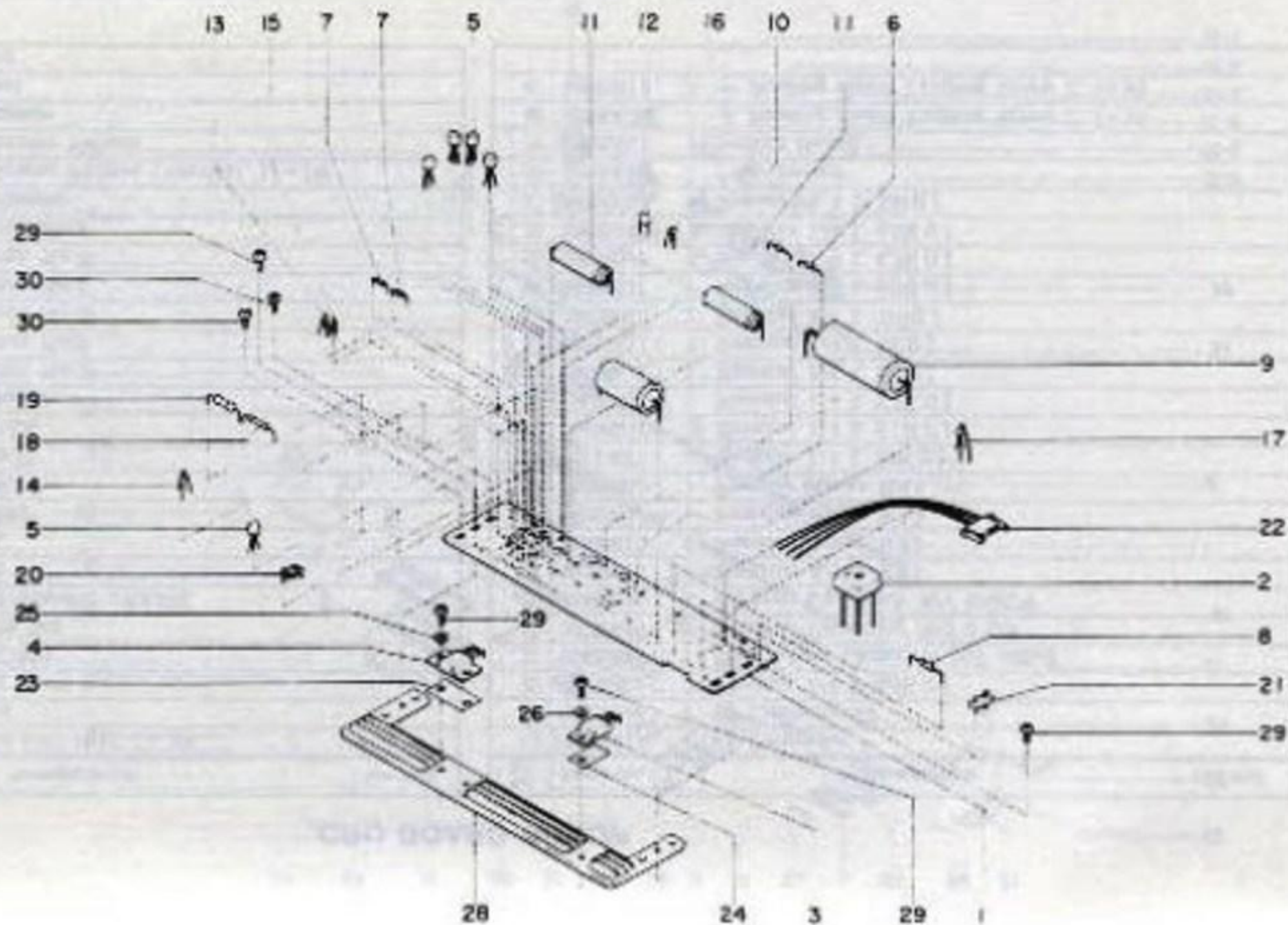
Sl. No.	Parts No.	Qty	Nomenclature
	01900612	1	Needle Bed Unit No. 1 (Ref. 1-3)
1	01910611	1	Needle Bed Unit No. 2
	11101003	1	Sinker Plate Unit (Ref. 2, 3)
2	11111002	1	Sinker Plate
3	01121003	101	Sinker
4	11141009	2	Leaf Spring
5	01041003	1	Fixing Band
6	01140615	1	Needle Bed Bracer A Unit
7	01280619	1	Yarn Rod Spring
8	01170612	1	Needle Bed Bracer B
9	01090810	1	Needle Bed Bracer C
10	01180611	1	Needle Bed Bracer D
11	01131002	200	Latch Needle
12	11191004	1	Needle Retainer
13	01190610	1	Vinyl Tape D
14	01200617	2	Point Cam Unit
15	01282003	14	⊕ Special Flat Head Screw 2.6×8
16	02142453	3	⊕ Binding Head S Tight Screw 3×6
17	03201001	24	⊕ Binding Head C Tight Guide Screw 3×8
18	01241009	2	⊕ Special Binding C Tight Screw 3×20
19	01292002	4	⊕ Special Flat Head S Tight Screw 4×10
20	01342005	14	Special Hexagonal Nut 2. 2.6



CPU BOARD GROUP

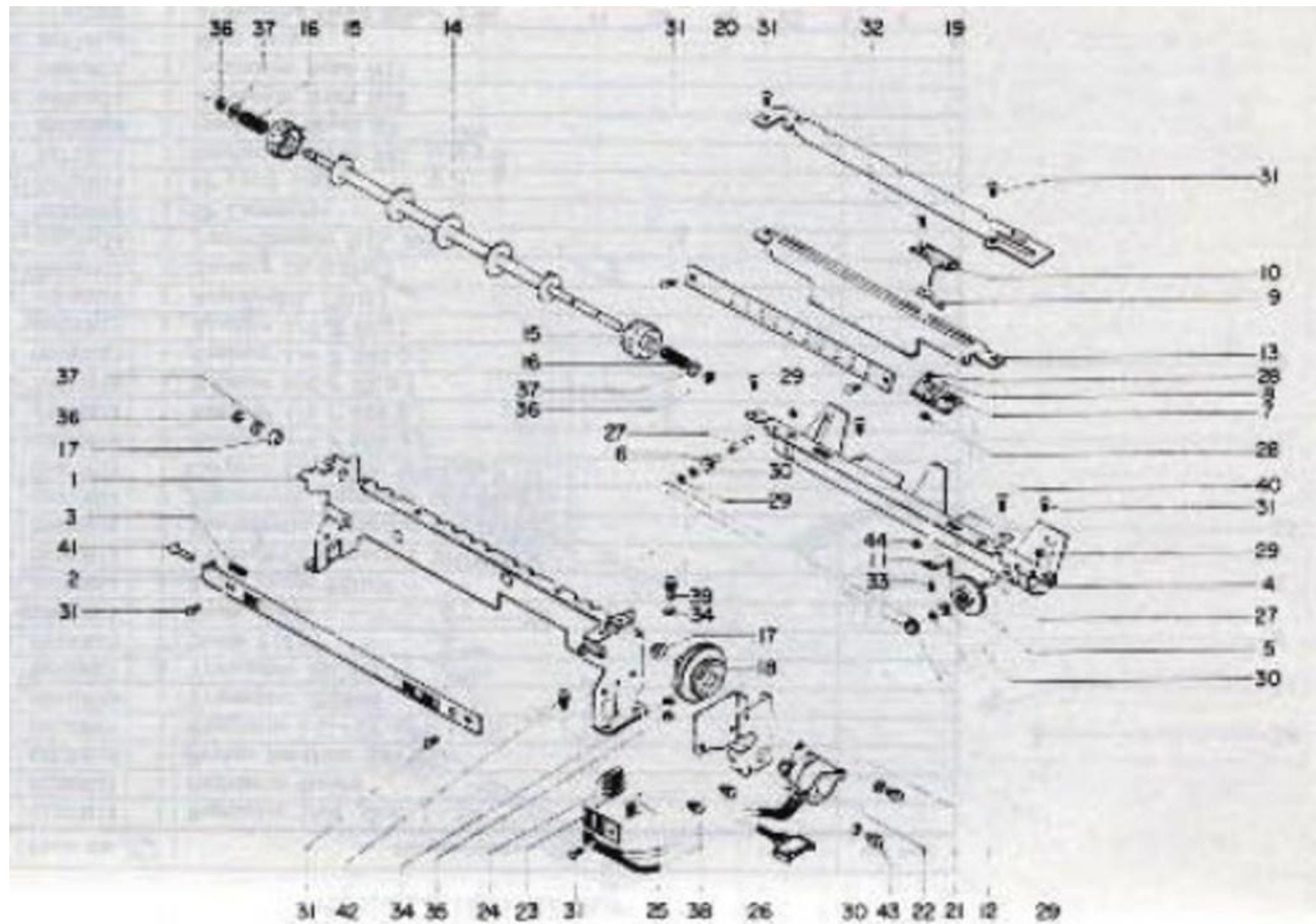
Qty	Parts No.	Qty	Numeral	Unit Desc
	02500513	1	C P U Board Unit (Ref. 1-39)	
1	02570610	1	C P U Board	
2	02890618	1	L S I Socket	
3	02880627	1	LSI μ PD546C-013	
4	06020511	1	Transistor 2SC945	
5	09070616	2	Darlington Transistor μ PA57C	
6	09090615	2	Diode 1S583	
7	09120619	1	I C μ PC139C	
8	02810616	9	L E D LN28RP	
9	09120614	1	I P T A100C	
10	12710612	1	Buzzer HZ10-S2	
11	09010620	1	Hall I C DN839	
12	02730720	1	Inspection Button	
12-1	02730612	1	Pattern Button No.1	
12-2	02730611	1	Pattern Button No.2	
12-3	02730610	1	Pattern Button No.3	
12-4	02780619	1	Pattern Button No.4	
12-5	02770618	1	Pattern Button No.5	
12-6	02780617	1	Pattern Button No.6	
13	02820615	1	Indicator Solenoid	
	02870614	1	Feeding Indicator Pointer Unit (Ref. 14-16)	
14	02850612	1	Feeding Indicator Pointer	
15	02870610	2	Indicator Magnet	
16	02860611	1	Indicator Seal	
17	06210618	1	4P Connector	

Qty	Parts No.	Qty	Numeral	Unit Desc
18	09220617	1	6P Connector	
19	09230616	2	8P Connector	
20	09370611	2	Resistor 1/4 W 3.3K Ω	
21	09420615	1	Electrolytic Capacitor 10V 100 μ F	
22	09700618	2	Ceramic Capacitor 50V 0.1 μ F	
23	09650610	2	Ceramic Capacitor 50V 4700PF	
24	09390614	1	Resistor Array RA1	
25	09340613	1	Resistor Array RA2	
26	09350612	1	Resistor Array RA3	
27	09300611	1	Resistor Array RA4	
28	09710617	1	Resistor 1/4 W 30K Ω	
29	09490616	3	Resistor 1/4 W 5.1K Ω	
30	09600614	1	Resistor 1/4 W 2.2K Ω	
31	09500612	2	Resistor 1/4 W 2K Ω	
32	09510611	2	Resistor 1/4 W 1K Ω	
33	09520610	2	Resistor 1/4 W 500 Ω	
34	09970615	1	Resistor 1/4 W 3.3K Ω	
35	09990617	1	Resistor 1/4 W 4.3K Ω	
36	09980616	1	Resistor 1/4 W 5.6K Ω	
37	08300612	1	Resistor 1/4 W 330 Ω	
38	02590610	7	Push Switch	
39	02580611	1	Switch Board	
40	02890614	2	+ Binding Head Tapping Screw 2.3x16	
41	02900613	3	+ Binding Head Tapping Screw 2.3x10	



REGULATOR GROUP

Ref. No.	Parts No.	Qty. per Set	Nomenclature	U
○	01310614	1	Regulator Unit (Ref. 1-29)	
1	01260611	1	Regulator Board	
2	09130618	1	Bridge Rectifier S4VB10	
3	09140617	1	Regulator IC - 5V μ PC 14305	
4	09040619	1	Transistor 2SD586	
5	09020611	5	Transistor 2SC945	
6	09190612	2	Diode F14AP	
7	09060615	2	Diode 1SS53	
8	09100611	1	Zener Diode RD10F	
9	09390618	1	Electrolytic Capacitor 35V220 μ F	
10	09400615	1	Electrolytic Capacitor 16V100 μ F	
11	09410614	2	Electrolytic Capacitor 16V470 μ F	
12	09470618	1	Ceramic Capacitor 50V0.01 μ F	
13	09560616	1	Resistor 1/4 P 51K Ω J	
14	09580614	1	Resistor 1/4 P 30K Ω J	
15	09610619	1	Resistor 1/4 P 3K Ω J	
16	09590613	1	Resistor 1/4 P 10K Ω J	
17	09630617	1	Resistor 1/2 P 82 Ω J	
18	19540616	1	Resistor 2L 750 Ω J	
19	09530617	1	Resistor 2L 0.39 Ω J	
20	09510616	1	Potentiometer 0.1L 10K Ω	
21	09200619	1	3P Connector	
22	09230614	1	4P Cord Unit	
23	09770611	1	Insulation Sheet S22	
24	09780610	1	Insulation Sheet S7	
25	09790619	2	Insulation Bush B18	
26	09800616	1	Insulation Bush B17	
28	01270610	1	Heat Sink	
29	01332006	5	⊕ Binding Head Screw 3x6	
30	00083201	4	⊕ Binding Head Screw 3x10	



CR GROUP

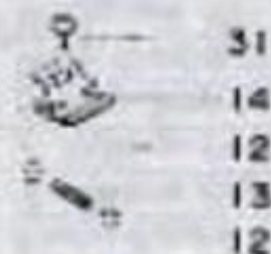
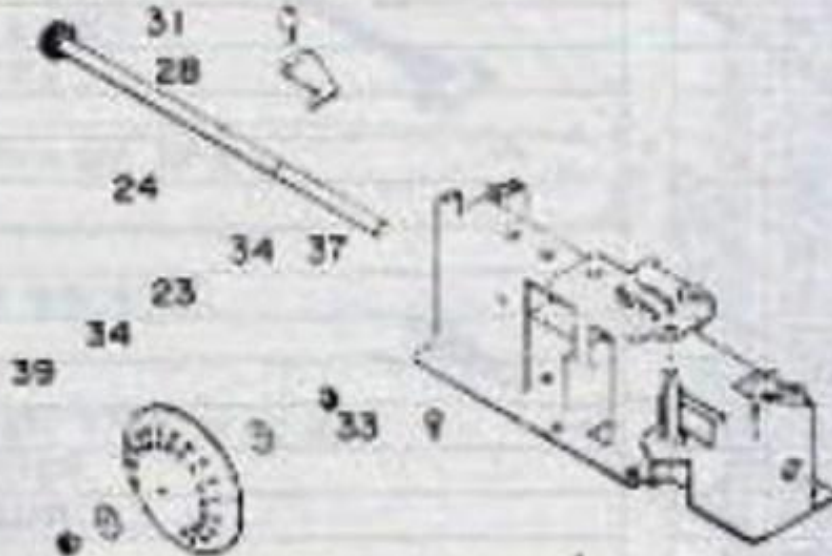
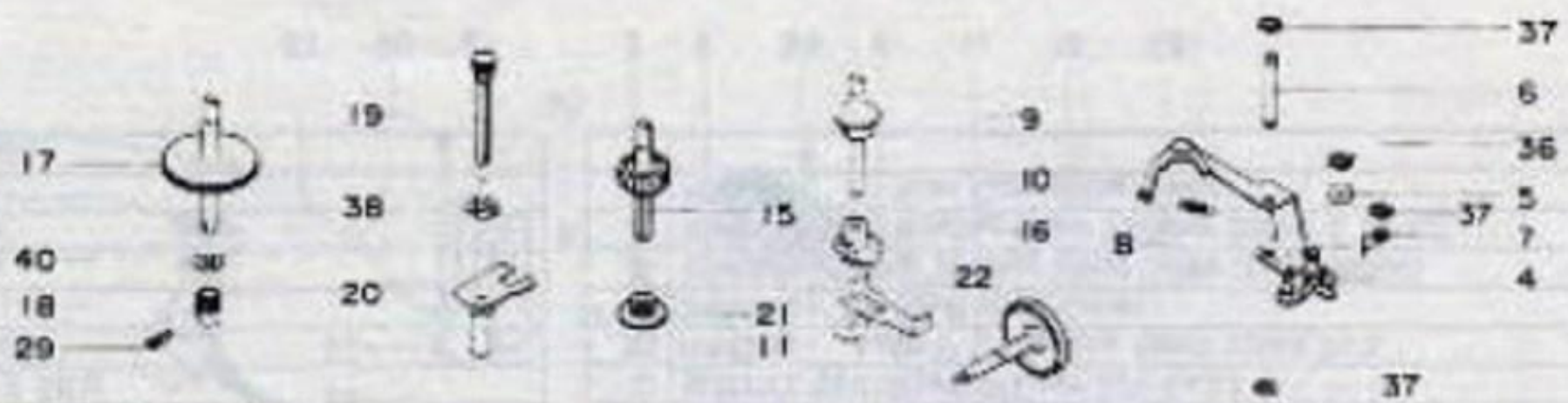
Sl. No.	Parts No.	Qty	Nomenclature	Unit Price
1	13010616	1	C R Unit (Ref. CR & Scan Frame Group)	
2	13040614	1	C R Box	
3	13230610	1	C R Clock Plate	
4	03240611	1	C R Clock Plate Spring	
5	03050614	1	Card Holder	
6	03070612	1	Indicator Dial	
7	03090611	1	Indicator Collar	
8	03090610	1	Indicator Holder	
9	03100617	1	Steel Ball 2.5	
10	03110616	1	Stopper Spring	
11	03120615	1	C R Pointer	
12	03130614	1	Mirror	
13	03140613	1	Indicator Yarn	
14	03140611	1	Indicator Guide	
15	03200615	1	Card Drum	
16	03210613	2	Sprocket Wheel	
17	03150612	2	Sprocket Spring	
18	03180619	2	Bush	
19	03220613	1	Feeding Dial	
20	03510617	1	C R Paper Guide	
21	03170610	1	C R Indicator	
22	03250610	1	Motor Stand	
23	03850617	1	Pulse Motor Unit (Ref. 22-26)	
24	03260619	1	Pulse Motor	

Sl. No.	Parts No.	Qty	Nomenclature
25	03990611	1	P M Board Unit (Ref. 23-26)
26	03290616	1	P M Board
27	08670615	4	Resistor 1/4 P [00g]
28	09080615	4	Diode 1SS33
29	09280611	1	6 P Cord Complete
30	03060613	2	Indicator Dial Shaft
31	01262005	2	Hexagonal Nut 3/2
32	03910619	4	E Snap Ring 2
33	08571200	4	Plain Washer 3.2x6x0.5
34	06214001	9	⊕ Binding Head Screw 2.6x4
35	03840614	1	⊕ Binding Head Screw 2x4
36	03870615	1	⊕ Binding Head Screw 2x3.5
37	08930617	2	Shaft Lock Washer 3
38	02521060	1	Hexagonal Nut 2/3
39	08672115	2	E Snap Ring 4
40	07411200	3	Plain Washer 6.2x10x0.5
41	03852001	2	⊕ S W Pan Head Screw 3x6
42	03790613	1	⊕ P W Binding Head Screw 3x14
43	05212005	2	⊕ Binding Head Screw 3x5
44	04741005	1	⊕ Binding Head Screw 3x14
45	04116000	4	⊕ P W Pan Head Screw 3x6
46	03792009	2	⊕ S W Pan Head Screw 3x5
47	03760618	1	Sensor Cleaner

SCAN FRAME GROUP

Qty	Parts No.	Qty	Nomenclature	Ref. No.
	0390613	1	Scan Frame Unit (Ref. 1-37)	
1	03830619	1	Scan Frame	
2	03120611	2	Scan Controlling Plate	
3	03330610	3	Scan Controlling Collar	
7	03450616	7	C R Sensor Unit (Ref. 4-13, 28, 35, 37)	
4	03840618	4	Sensor Mark Unit	
3	03490617	3	Scan Solenoid	
7	21770613	7	Flexible Cord Unit (Ref. 4-12)	
6	21520612	6	Flexible Cord	
7	06275012	7	S P B Cord Unit	
8	09430612	1	Electrolytic Capacitor 16V 10 μ F	
9	09080615	2	Diode 1SS53	
10	09680612	2	Resistor 1/4 W 120 Ω	
11	03010612	1	Potentiometer 0.1 P 50K Ω	
12	03030611	1	Potentiometer 0.1 P 5K Ω	
13	13580618	1	Flexible Cord Clamp	
14	03150618	1	Scan Guide	
15	03360617	1	Scan Guide Spring	
16	03370616	2	Scan Guide Buffer	
17	03380619	1	Scan Shaft	
18	03580615	1	Sensor Stopper Unit	

Qty	Parts No.	Qty	Nomenclature
	03430618	1	Sensor Stopper Spring
	13590611	1	C R Base
	03590612	1	Connector Stand
	03530615	1	Resistor Support Plate
	03780616	1	C R Round-shaped Connector Unit
23-1	0570611	1	Round-shaped Connector
	01312006	1	+ Binding Head Screw 3x6
	06212006	1	+ Binding Head Screw 3x5
	03010619	3	E Snap Ring 2
	06571000	4	Plain Washer 3.2x6x0.5
	03840616	1	Hexagonal Nut 1, 3
	02930618	1	C S Snap Ring 2, 4
	04116000	2	+ P W Pan Head Screw 3x6
	04782001	3	+ Binding Head Screw 3x4
	06347002	3	Plain Washer 3.2x8x0.6
	03951001	4	+ P W Binding Head Screw 3x5
	03020614	1	Scan Shaft Collar
	03540614	1	+ Binding Head screw 3x6 (USBM)
	06180617	1	Binding Head Tapping Screw 2, 2.6x6
	03330610	2	Scan Controlling Collar

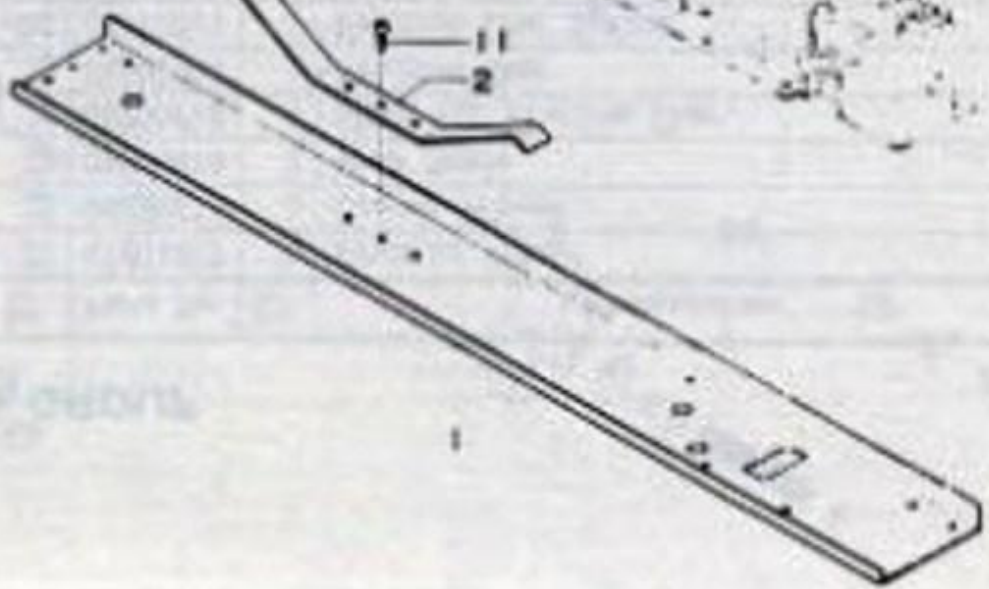
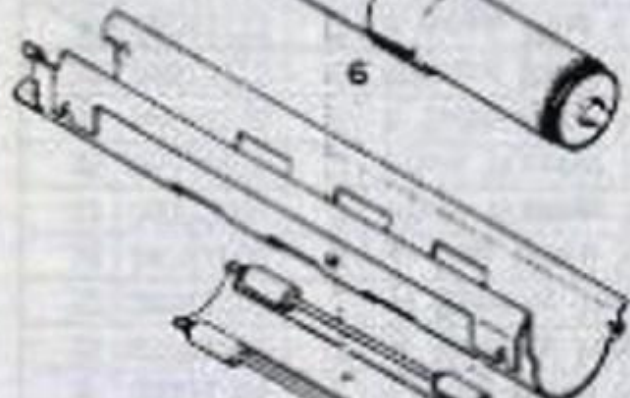
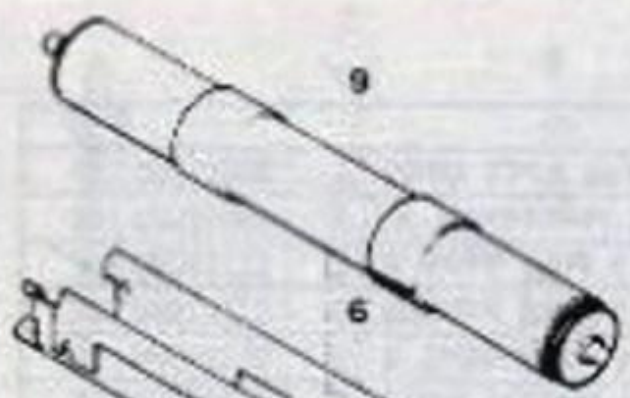
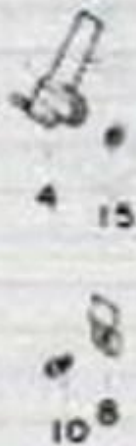
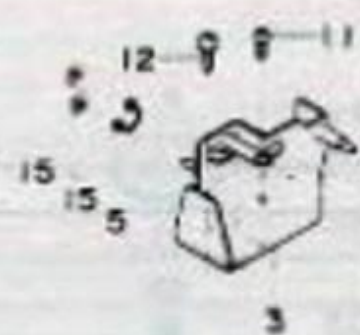


Part No. 5			
06921000	7 g	06921000	11 g
06951008	7.5 g	06941006	11.5 g
06971004	8 g	06911004	12 g
06981007	8.5 g	06981007	12.5 g
06991006	9 g	06971008	12 g
06901003	9.5 g	06931005	12.5 g
06911002	10 g	06981008	14 g
06921001	10.5 g		

KNIT RADAR GROUP

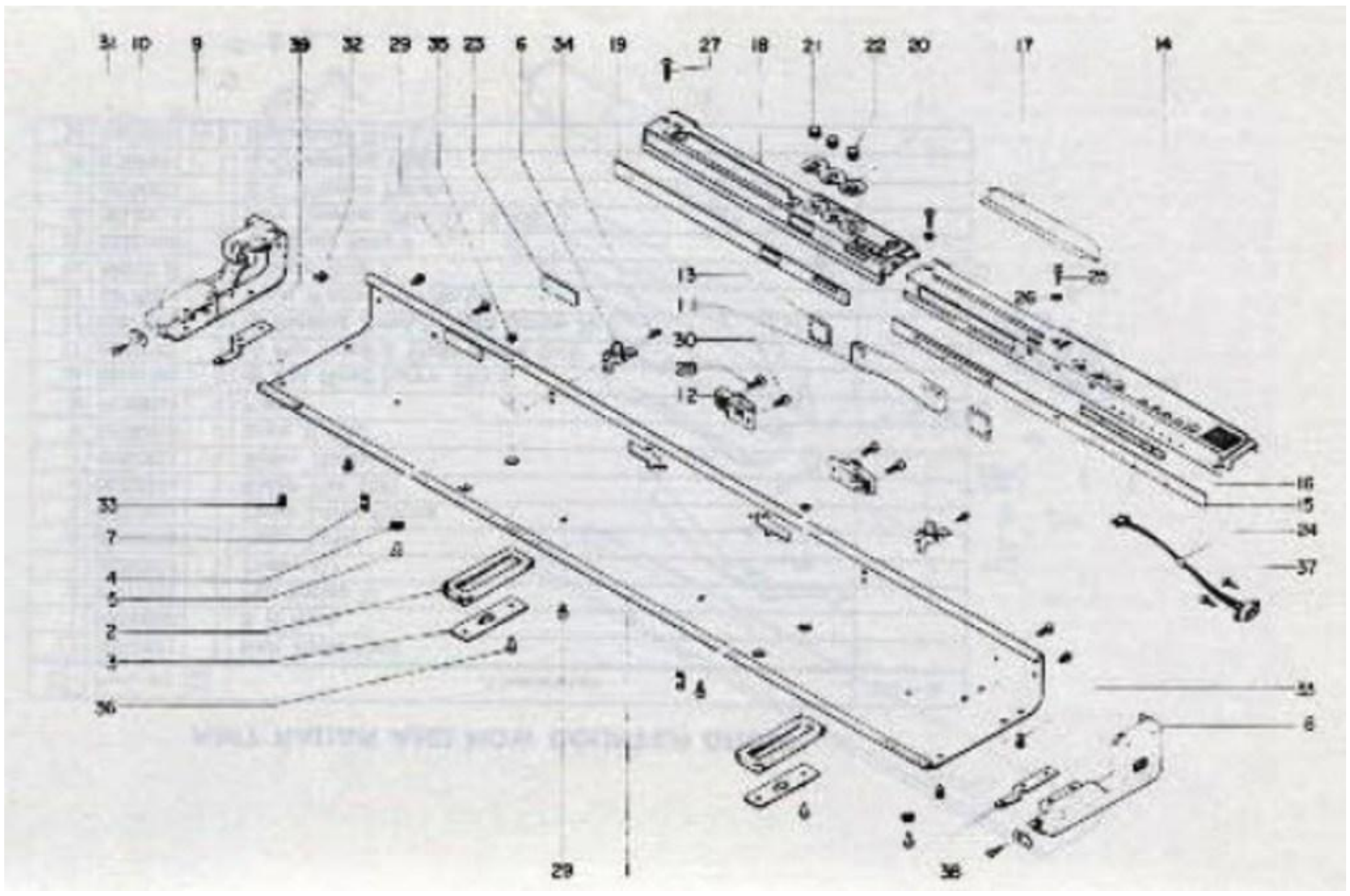
QTY	Parts No	Nomenclature	Unit
	18200813	1 Frame (R) Complete (Ref. 1 - 40)	
1	19090817	1 Frame (R) Unit	
2	08090816	1 Row Feeding Lever	
3	08070815	1 Row Feeding Lever Spring	
4	08080814	1 K R Feeding Lever	
5	See Inset	1 K R Feeding Cam Collar	
6	08130817	1 K R Feeding Lever Shaft	
7	08140816	1 K R Feeding Plate Spring	
8	08150815	1 K R Feeding Pawl Spring	
9	08301202	1 Change Cam A	
10	08160814	1 Change Cam B	
11	08170813	1 Clutch Cam	
12	07562119	2 Notch Roller 4x4	
13	08190812	1 Ratchet Stopper Spring	
14	18100810	1 Spring Holder	
15	18200816	1 K R Ratchet Wheel	
16	08500821	1 Slide Bar	
17	18190814	1 Set Wheel	
18	17481957	1 Pinion B	
19	08220810	1 Guide Screw	
20	08221203	1 Friction Wheel Guide	

Qty	Parts No	Nomenclature
21	07401953	1 Friction Wheel
22	08230813	1 Crown Wheel
23	08240814	1 Row Scale
24	08250813	1 Shaft for Friction Disc
25	08391203	1 Friction Disc
26	08270811	1 Friction Disc Spring
27	08430811	1 Friction Disc Collar
28	08410813	1 K R Row Indicator
29	08450819	1 Set Wheel Pin A 2.5
30	08531204	1 Pan Head Screw 2.6x8
31	05701602	2 Binding Head 5 Tight Screw 2.5x6
32	08561205	1 Binding Head Tapping Screw 2.2x5
33	04721007	2 Pan Head 5 Tight Screw 3x6
34	02372001	2 Plain Washer 3.2x10x1
35	08440810	2 Plain Washer 3.3x10x1
36	08662116	1 E Snap Ring 3
37	08672115	5 E Snap Ring 4
38	08682115	1 E Snap Ring 6
39	02521000	1 Hexagonal Nut 2.5
40	08611204	1 Shaft Lock Washer 5



KNIT RADAR AND ROW COUNTER GROUP

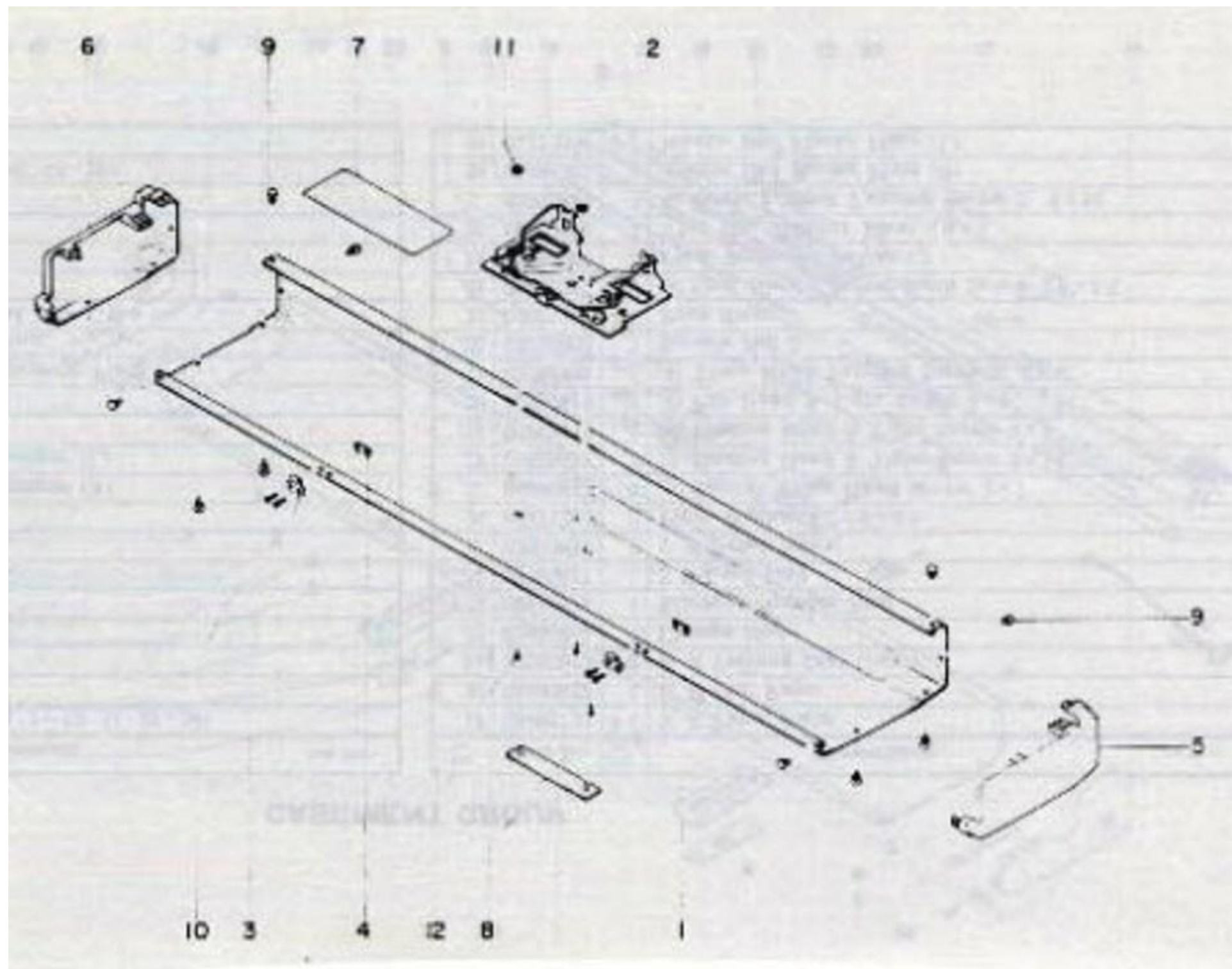
Qty	Parts No.	Qty	Nomenclature	U
○	08010811	1	Knit Radar Unit	
1	08020810	1	K R Base	
2	08071201	1	Pan Spring U	
3	08290819	1	Frame (L)	
4	08300816	1	Paper Lever	
5	08310815	1	Paper Lever Spring	
6	08320814	1	Roller Pan Unit	
7	08350811	1	Roller Holder	
8	08380818	2	Scale Holder	
9	08390817	1	Platen	
10	08521205	2	⊕ Pan Head Screw 2.6×4	
11	04721007	5	⊕ Pan Head S Tight Screw 3×6	
12	03171006	4	⊕ Binding Head S Tight Screw 3×8	
13	04770814	1	Plain Washer 4.3×8×0.8	
14	08662116	1	E Snap Ring 3	
15	02221000	3	C S Snap Ring 3	
16	02100618	1	Row Counter (Incl. 11, 18, 19)	
17	02790814	1	R C Window Panel	
18	02800811	1	R C Securing Plate	
19	02450815	2	Hexagonal Nut 1. 3	



CASEMENT GROUP

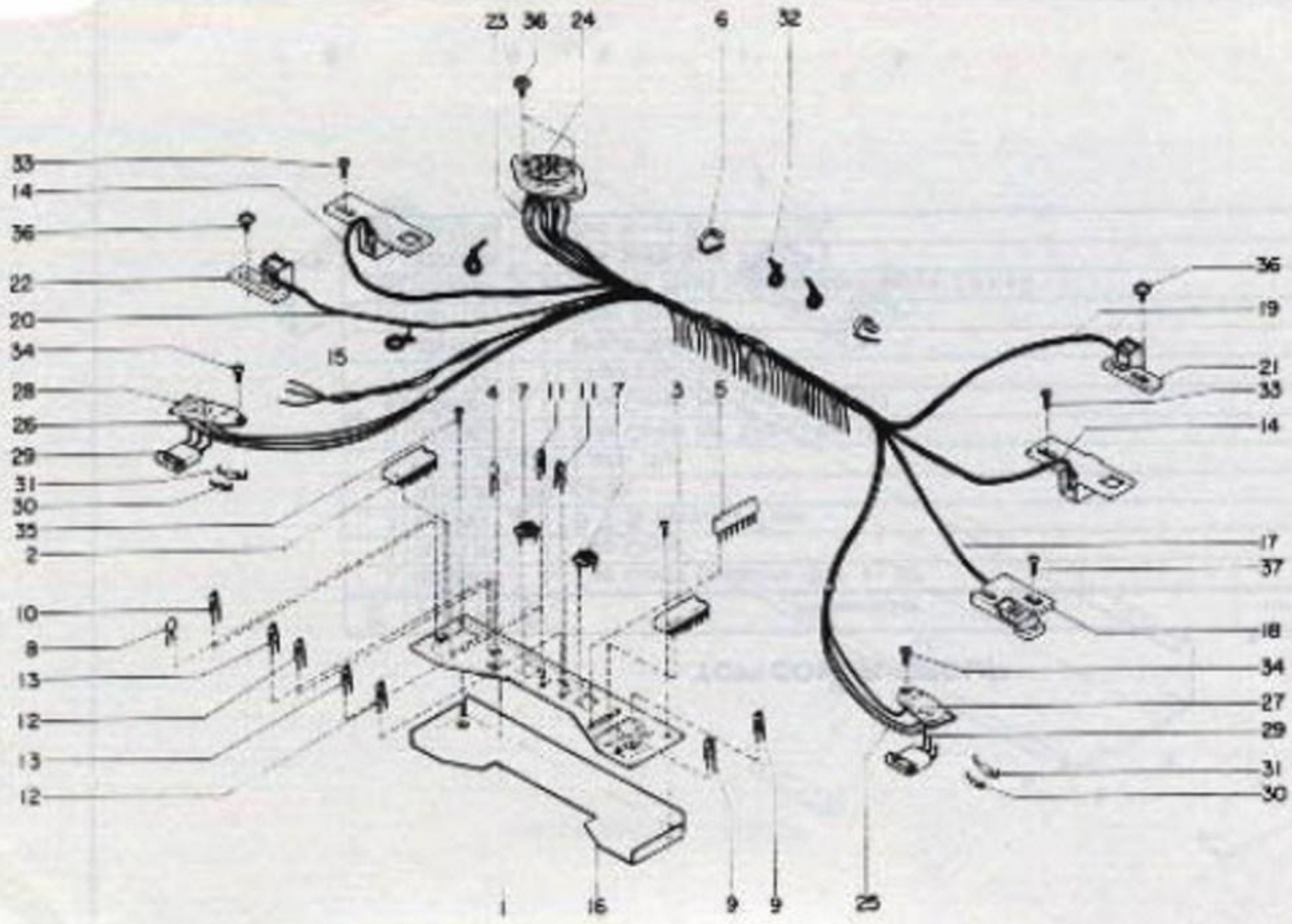
Sl. No.	Parts No.	Qty	Nomenclature	Unit Price
	02010615	1	Casement Unit (Ref. 1-13, 21, 23-28)	
1	02020618	1	Casement	
2	02030816	2	Rubber Pad	
3	02091208	2	Clamp Holder	
4	02132009	2	Foot Rubber	
5	02142008	2	Foot Rubber Rivet	
6	02172003	2	Latch Lock	
7	02341304	2	Supporting Plate	
8	02150613	1	Side Cover for Casement (R)	
9	02160620	1	Side Cover for Casement (L)	
10	02062009	2	Yarn Clip	
11	12252003	1	Carrying Handle	
12	02200616	2	Carrying Handle Securing Plate	
13	02222008	2	Carrying Handle Ring	
	02510618	1	C R Panel Unit (Ref. 14-17)	
14	02520617	1	C R Panel	
15	02540722	1	C R Panel Plate	
16	02550614	1	C R Panel Seal	
17	02960614	1	Card Cover	
	02970612	1	K R Panel Unit (Ref. 18-20)	
18	02450617	1	K R Panel	

Sl. No.	Parts No.	Qty	Nomenclature	Unit Price
19	02460721	1	K R Panel Plate	
20	02480622	1	K R Dial Panel	
21	12560810	2	K R Feeding Dial Unit	
22	02460814	1	Change Dial	
23	02440626	1	Machine Number Seal	
24	02160627	1	J P Cord Unit	
25	02160624	2	C R Panel Screw	
26	02571200	2	Plain Washer 12x5x0.5	
27	02860615	1	+ Special Truss Head Screw 3x7	
28	01900615	2	+ Binding Head S Tight Screw 3x12	
29	02142453	1	+ Binding Head S Tight Screw 3x8	
30	01900619	2	+ Pan Head S Tight Screw 3x8	
31	02251200	2	+ Truss Head Tapping Screw 1, 3x8	
32	02130602	1	Square Nut 3	
33	02171207	7	Push Rivet	
34	02442267	4	+ Oval Head Counter Sunk Screw 2.6x4.5	
35	02152007	4	Plain Washer 2.7x10x1.2	
36	02212009	1	Thin Flat Fillister Rivet 2.6x5	
37	02900611	2	+ Binding Head Tapping Screw 2, 3x10	
38	01261007	1	Needle Bed Fixing Plate (R)	
39	01271006	1	Needle Bed Fixing Plate (L)	



TOP COVER GROUP

Ref No	Parts No	Qty Set	Nomenclature
0	02220614	1	Top Cover Complete (Ref. 1-12)
1	02271203	1	Top Cover
2	02290617	1	B T A Securing Plate
3	02331205	2	Latch
4	02341204	2	Latch Nut
5	02330611	1	Side Cover for Top Cover (R)
6	02390615	1	Side Cover for Top Cover (L)
7	02400612	1	Illustration Label
8	02410611	1	Brand Name Plate
9	02071207	10	Push Rivet
10	02442267	4	⊕ Oval Head Counter Sunk Screw 2.6×4.5
11	02221000	2	C S Snap Ring 3
12	02472264	3	Pan Rivet 2×3



C BOARD GROUP

Ref. No.	Parts No.	Q or Unit	Nomenclature	Unit Price
○	08900620	1	C Board Unit (Ref. 1-15, 17-34, 36, 37)	
1	04940623	1	C Board	
2	09110610	1	1 C μ PB74157C	
3	09120619	1	1 C μ PC319C	
4	09180613	1	Tantalum Capacitor 35V 6.8 μ F	
5	03070610	1	Resistor Array RA5	
6	00880618	2	Tie Wrap	
7	00690611	2	Potentiometer 0.1 L 33K Ω	
8	00480617	1	Ceramic Capacitor 50V 1000PF	
9	00900610	2	Resistor 1/4 P 5.1K Ω J	
10	00650615	1	Resistor 1/4 P 2.2K Ω J	
11	00930618	2	Resistor 1/4 P 120 Ω J	
12	00900617	2	Resistor 1/4 P 8.2K Ω J	
13	00900614	2	Resistor 1/4 P 2.7K Ω J	
14	00880617	2	Interrupter Sensor	
15	08650616	1	H Board Cord Unit	
○	06370619	1	H Board	
16	04950614	1	C Board Cover	
17	04860615	1	N 1 Holder Unit No. 1 (Incl. 18)	
18	04860623	1	N 1 Holder Unit No. 2	

Ref. No.	Parts No.	Q or Unit	Nomenclature
19	04890612	1	K S L Holder Unit No. 1 (R) (Incl. 21)
20	04900619	1	K S L Holder Unit No. 1 (L) (Incl. 22)
21	04890620	1	K S L Holder Unit No. 2 (R)
22	04900627	1	K S L Holder Unit No. 2 (L)
23	05770615	1	C A Round-shaped Connector Unit (Incl. 24)
24	03570611	1	Round shaped Connector
25	05710611	1	S Board Unit (R) (Incl. 27, 29-31)
26	05720610	1	S Board Unit (L) (Incl. 28, 29-30)
27	00960613	1	S Board (R)
28	04970612	1	S Board (L)
29	09000610	2	Darlington Transistor 2SD618
30	09080615	2	Diode 1SS53
31	09640616	2	Resistor 1/4 L 68 Ω K
32	09240615	4	Tie Cord
33	06450007	2	Ⓜ Special Truss Head Screw 3 \times 6
34	05180617	2	Ⓜ Binding Head Tapping Screw 2. 2.5 \times 6
35	05701002	2	Ⓜ Binding Head S Tight Screw 2.5 \times 6
36	06401004	1	Ⓜ Special PW Binding Head Screw 3 \times 7
37	03171006	1	Ⓜ Binding Head S Tight Screw 3 \times 8

1 15 39 42 19 18 26 27 35 25

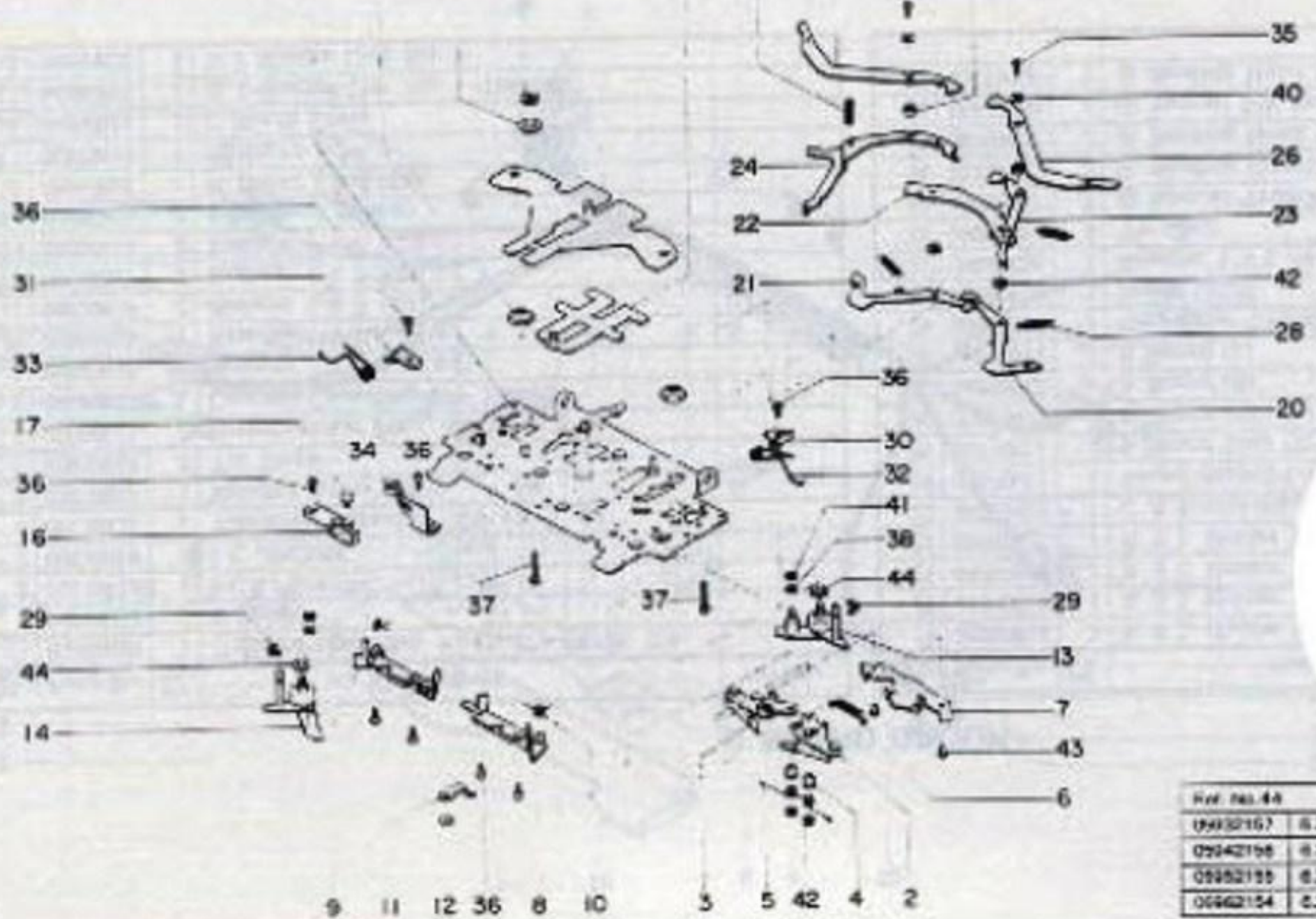


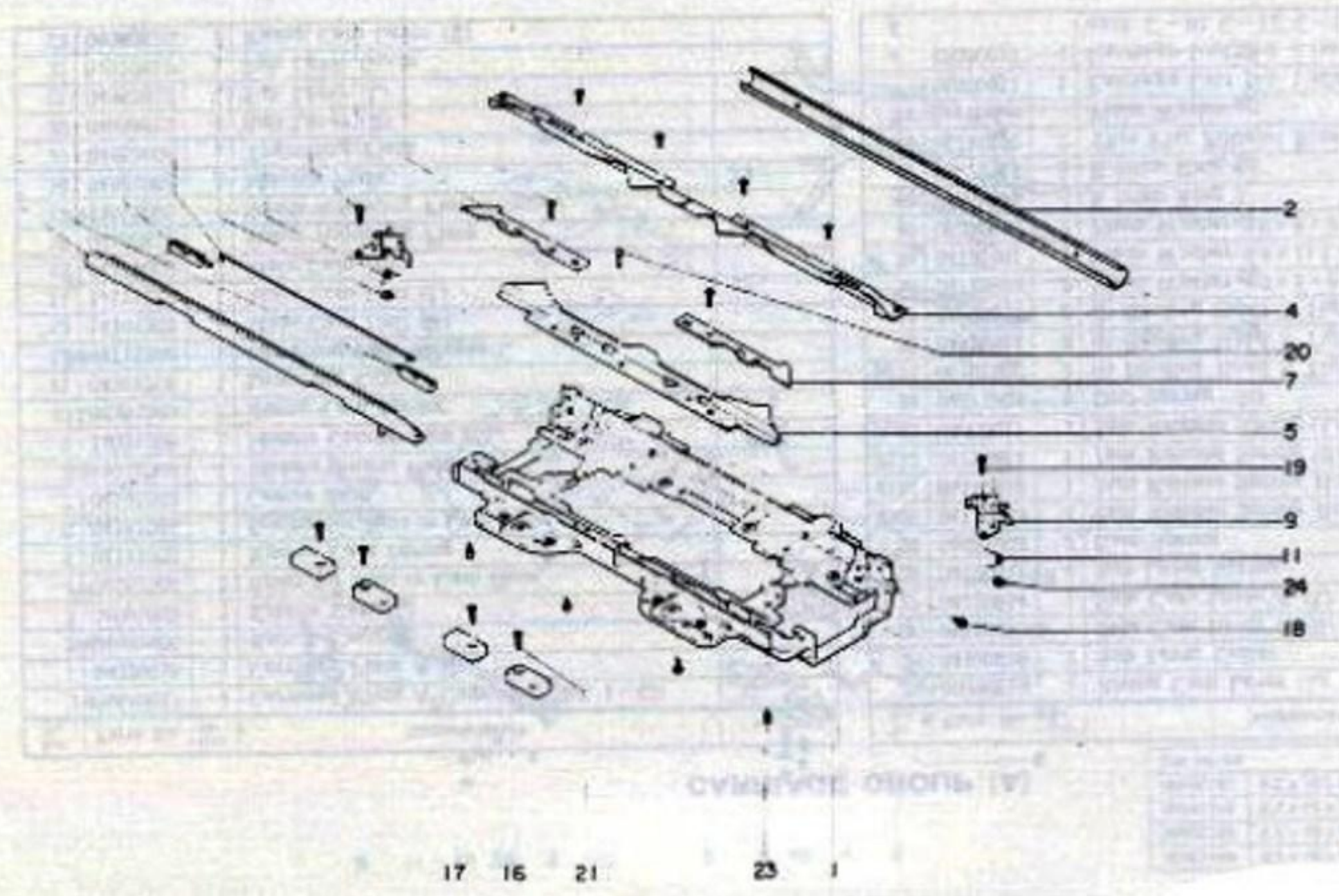
Fig. No. 44	
09430167	6.2 x 10 x 0.05
09442156	6.2 x 10 x 0.1
09452155	6.2 x 10 x 0.2
09462154	6.2 x 10 x 0.3

CARRIAGE GROUP (A)

Qty	Parts No.	Qty	Nomenclature	Lot No.
	04010617	1	Carriage Plate A Complete (Ref. 1-43)	
1	04020618	1	Carriage Plate A Unit	
2	04081006	1	Knit-in Cam (R)	
3	04091005	1	Knit-in Cam (L)	
4	04161006	2	Rivet for Knit-in Cam Base	
5	04171005	1	Knit-in Cam Spring	
6	04181004	1	Spring for Knit-in Cam Base	
7	04191003	1	Centre Cam	
8	14011209	1	Middle Course Cam (R)	
9	14021208	1	Middle Course Cam (L)	
10	04351003	2	Rising Cam Spring	
11	04301206	1	Lowering Cam C	
12	04711206	1	Lowering Cam Stopper C	
13	14101208	1	Main Cam Unit (R)	
14	14111207	1	Main Cam Unit (L)	
15	04471009	2	Main Cam Nut	
16	04160818	1	Stitch Adjusting Plate	
17	14511000	1	Stitch Adjusting Plate Stopper	
18	04521001	1	Moving Plate	
19	04551008	1	Travelling Plate	
20	04060613	1	Sub Lever (R)	
21	04060612	1	Sub Lever (L)	
22	04070611	1	Sub Lever Guide	
23	04080610	1	Rising Cam Lever (R)	

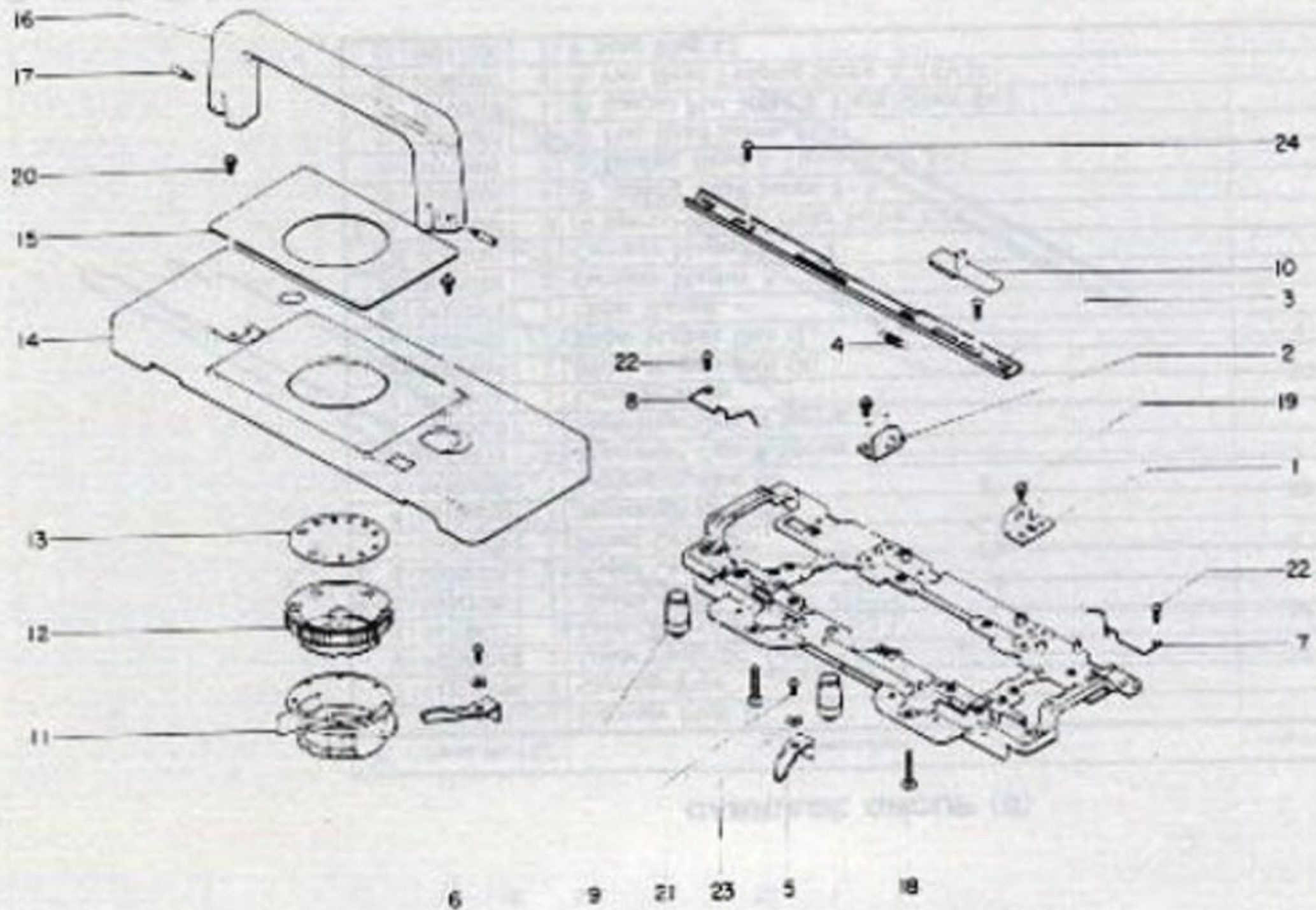
Qty	Parts No.	Qty	Nomenclature
24	04090619	1	Rising Cam Lever (L)
25	04100616	2	Sub Lever Collar
26	04110615	1	Side Cam Lever A (R)
27	04120614	1	Side Cam Lever A (L)
28	04720611	4	Sub Lever Spring
29	04681003	2	Cam Spring
30	04130613	1	Jam Release Spring Holder (R)
31	04140612	1	Jam Release Spring Holder (L)
32	04790614	1	Jam Release Spring (R)
33	04800611	1	Jam Release Spring (L)
34	04671004	1	Dial Spring
35	06701602	2	⊕ Binding Head S Tight Screw 2.5x6
36	04930614	8	⊕ Binding Head S Tight Screw 3x8
37	04920615	2	⊕ Binding Head S Tight Screw 3x16
38	04770814	2	Plain Washer 4.3x8x0.8
39	04781001	1	Plain Washer 6.4x11.5x1.6
40	05200613	2	Plain Washer 2.6x8x0.8
41	04662116	2	E Snap Ring 3
42	04672115	5	E Snap Ring 4
43	06791009	2	Thin Flat Filister Rivet 2.6x4
44	See Inset		Plain Washer
	06970611	1	Carriage Unit No. 1 (Carriage Group A-D)
	06980610	1	Carriage Unit No. 2 (same as above but excl. C-10, C-12, C-17, C-20)

12 14 13 15 24 10 19 8 6 20 3 22



CARRIAGE GROUP (B)

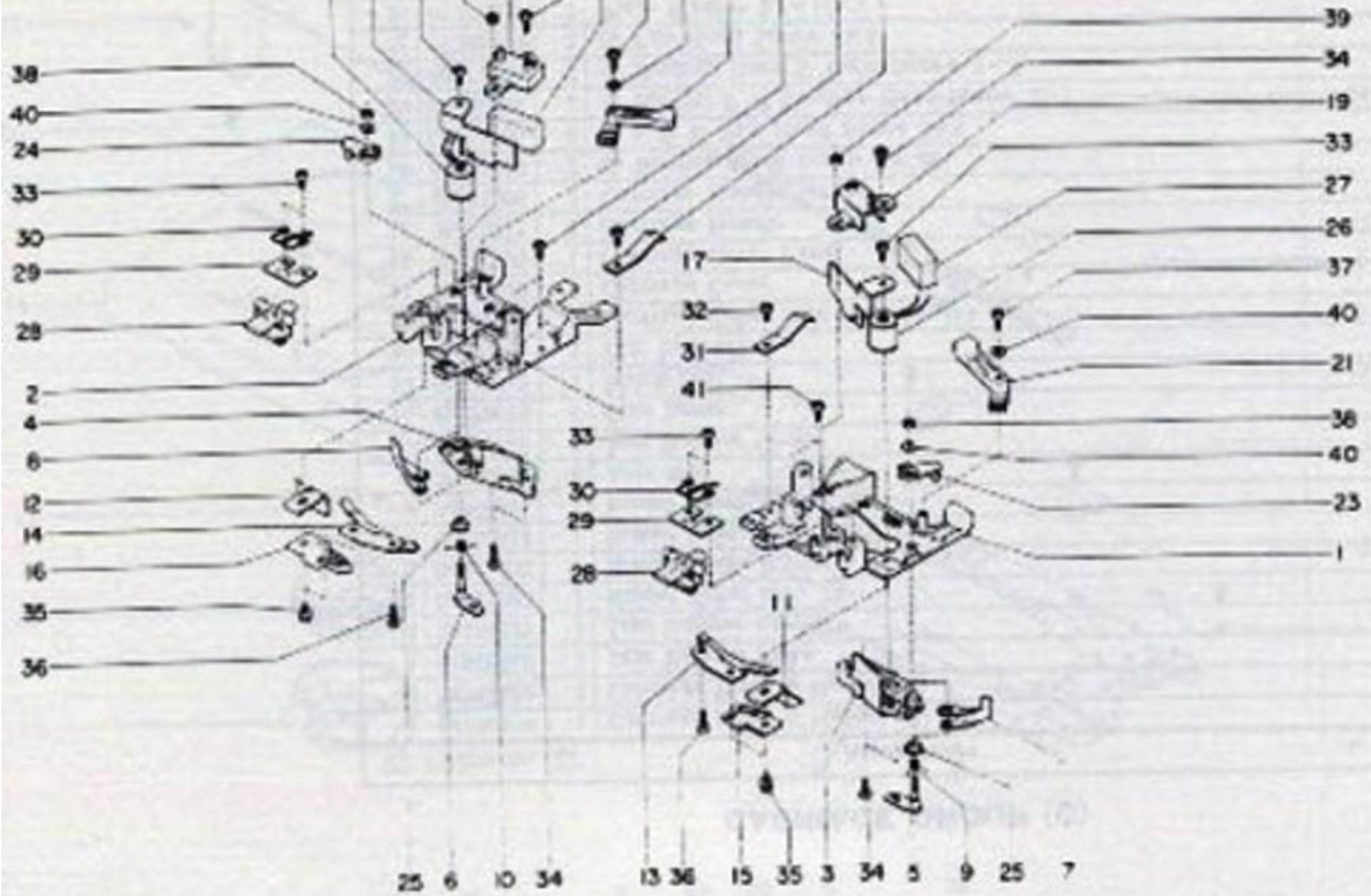
Item No.	Parts No.	Qty/Per	Nomenclature
1	05270616	1	Carriage Plate B
2	14271209	1	Carriage Pipe
3	04260618	1	Guide Plate (R)
4	04270617	1	Guide Plate (L)
5	06041009	1	Needle Guide
6	06051008	1	Russel Cam (R)
7	05061007	1	Russel Cam (L)
8	04160610	1	Separation Cam (R)
9	04170619	1	Separation Cam (L)
10	04230611	1	Separation Cam B Spring (R)
11	04240610	1	Separation Cam B Spring (L)
12	04280616	1	Carriage Slider
13	04320610	1	Slider Magnet Unit (R)
14	04330619	1	Slider Magnet Unit (L)
15	04350617	1	Slider Hanger
16	06161004	2	Carriage Magnet A
17	06351001	2	Carriage Magnet B
18	04981205	2	⊕ Special Binding Head Screw 3x4.5
19	01332106	4	⊕ Binding Head Screw 3x6
20	04910816	3	⊕ Binding Head S Tight Screw 3x7
21	06831003	4	⊕ Flat Head Screw 3x9
22	05190616	4	⊕ Special Flat Head S Tight Screw 3x6
23	05861000	4	⊕ Pan Head Tapping Screw 2.26x10
24	05811005	2	E Snap Ring 2.5



CARRIAGE GROUP (C)

Ref. No.	Parts No.	Qty	Nomenclature
1	04730610	1	Carriage Plate A Holder (R)
2	04740619	1	Carriage Plate A Holder (L)
3	04810610	1	Jam Release Plate
4	04410817	1	Jam Release Spring
5	04411203	1	Russel Lever (R)
6	04421202	1	Russel Lever (L)
7	04750618	1	Russel Lever Spring (R)
8	04760617	1	Russel Lever Spring (L)
9	05130810	2	Arm Nut
10	04990610	1	Jam Release Lever
11	05010616	1	Cam Lever
12	05020615	1	Stitch Dial
13	05030614	1	Dial Indicator
○	05990619	1	Carriage Cover Unit (Ref. 14, 15)
14	05040613	1	Carriage Cover
15	05050729	1	Carriage Cover Panel
16	05060611	1	Carriage Handle
17	05741004	2	Carriage Handle Screw
18	05751003	2	⊕ Binding Head Screw 5×20
19	03812005	4	⊕ S P W Pan Head Screw 3×8
20	06401004	2	⊕ Special P W Binding Head Screw 3×7
21	03171006	2	⊕ Binding Head S Tight Screw 3×8
22	01281005	2	⊕ Pan Head Screw 3×6
23	02372001	2	Plain Washer 3.2×10×1
24	01332006	2	⊕ Binding Head Screw 3×6

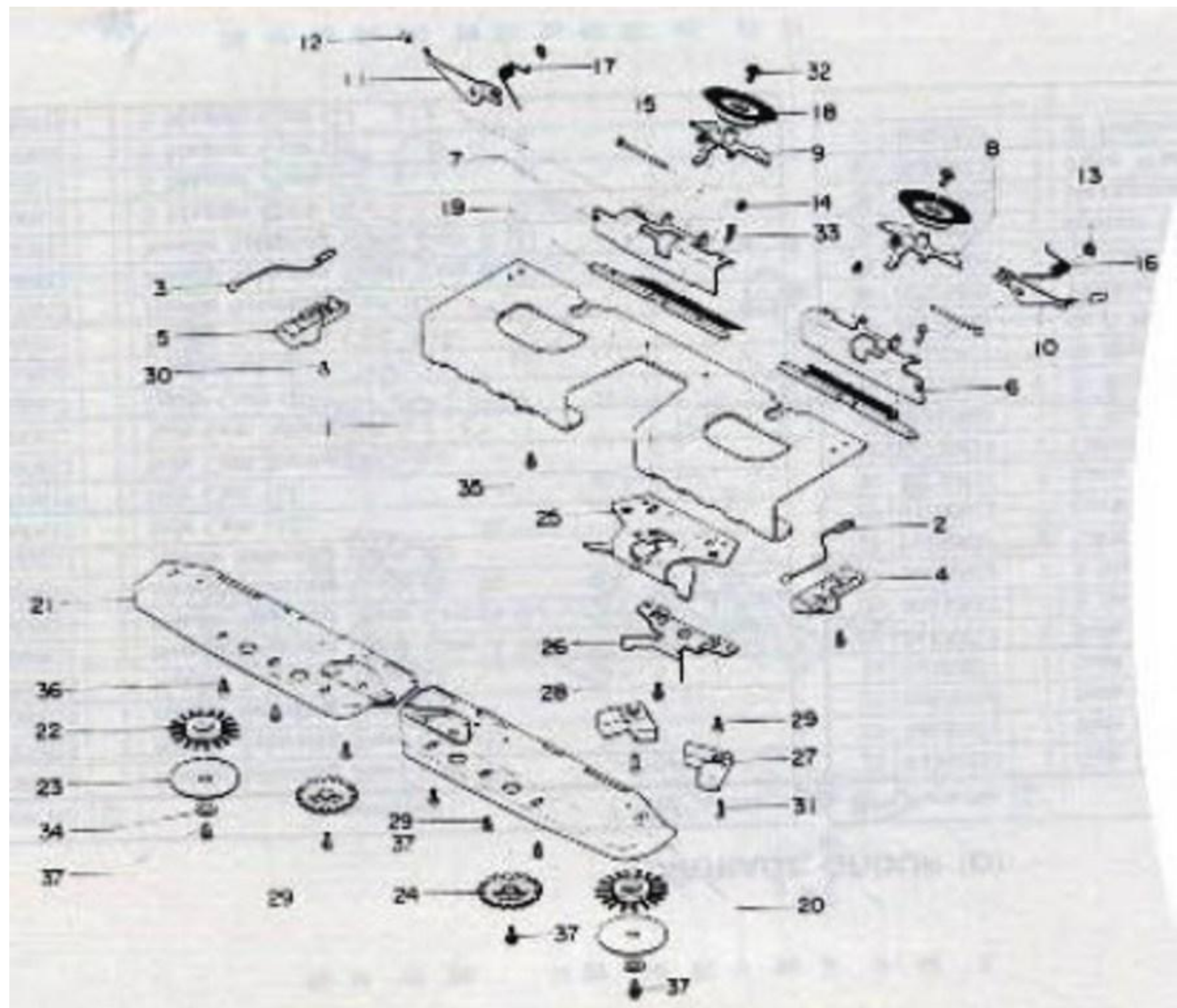
26 18 33 39 20 34 27 37 40 22 41 32 31



CARRIAGE GROUP (D)

Qty	Parts No.	Qty/ Set	Nomenclature	Unit Price
○	04360616	1	Needle Selecting Base Unit (R)	
○	04370615	1	Needle Selecting Base Unit (L)	
1	04380614	1	Needle Selecting Base (R)	
2	04390613	1	Needle Selecting Base (L)	
3	05940614	1	Needle Selecting Guide Cam A (R)	
4	05950613	1	Needle Selecting Guide Cam A (L)	
5	04420618	1	Needle Selecting Guide (R)	
6	04430617	1	Needle Selecting Guide (L)	
7	04400610	1	Side Cam (R)	
8	04410619	1	Side Cam (L)	
9	04480612	1	Side Cam Spring (R)	
10	04490611	1	Side Cam Spring (L)	
11	04500617	1	Guide Cam (R)	
12	04510616	1	Guide Cam (L)	
13	04560611	1	Needle Selecting Cam (R)	
14	04570610	1	Needle Selecting Cam (L)	
15	04540613	1	Needle Selecting Guide Cam B (R)	
16	04550612	1	Needle Selecting Guide Cam B (L)	
17	04600615	2	S Magnet Plate (R)	
18	04610614	2	S Magnet Plate (L)	
19	04640611	1	S Magnet Case (R)	
20	05160619	1	S Magnet Case (L)	

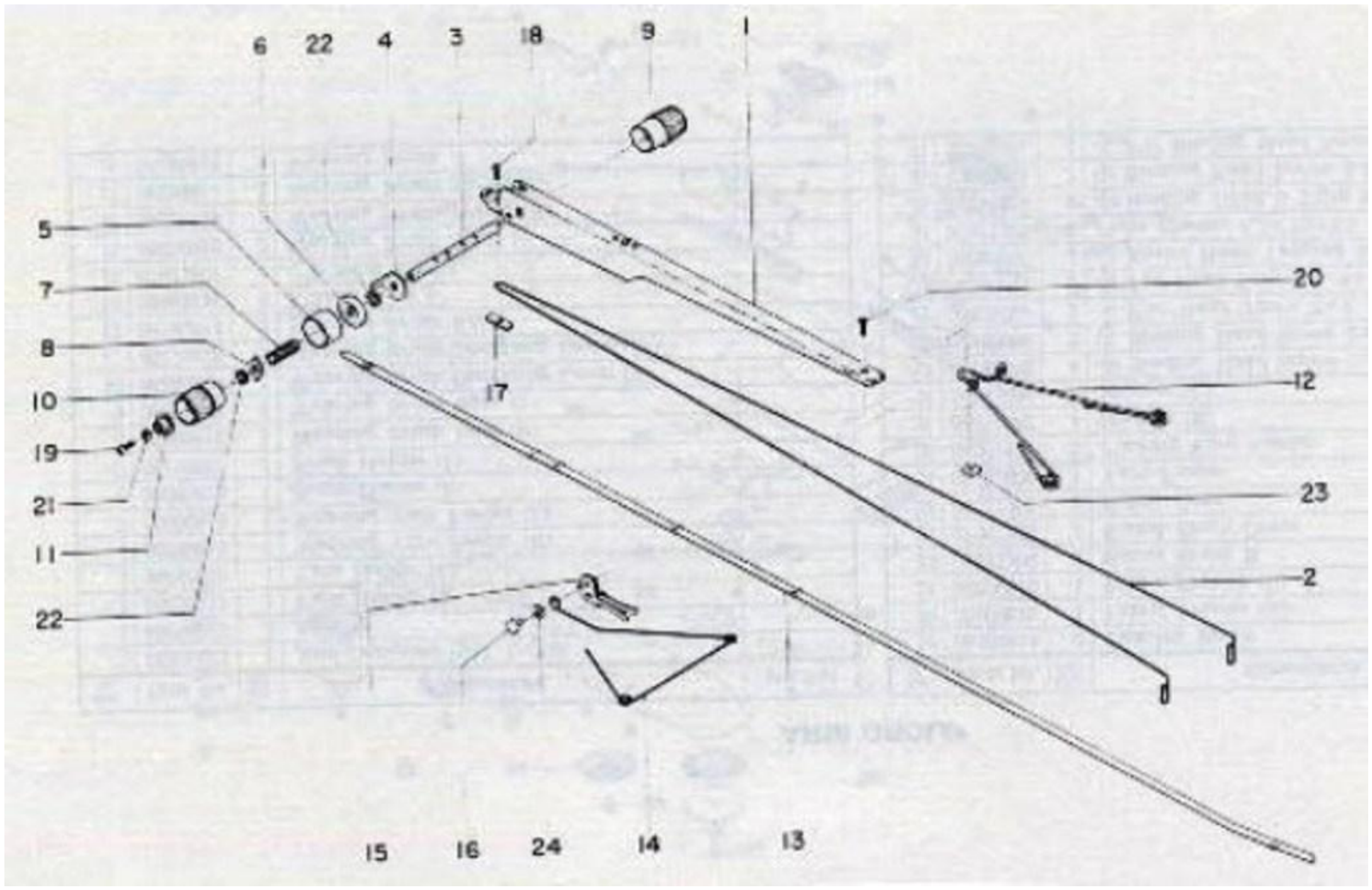
Qty	Parts No.	Qty/ Set	Nomenclature
21	04650610	1	Side Cam Lever B (R)
22	04660619	1	Side Cam Lever B (L)
23	04670618	1	Side Cam Lever C (R)
24	04680617	1	Side Cam Lever C (L)
25	04470613	2	Side Cam Holder
26	04630612	2	S Solenoid
27	04620613	2	S Magnet
28	04690616	2	Lock Lever
29	04700613	2	Lock Lever Presser
30	04710612	2	Lock Lever Spring
31	04730618	2	Carriage Handle Spring
32	05212006	2	⊕ Binding Head Screw 3×5
33	01332006	6	⊕ Binding Head Screw 3×6
34	05220611	6	⊕ Binding Head Screw 3×8
35	05170618	4	⊕ P W Binding Head Screw 3×10
36	02221208	2	Binding Head Screw 3×12
37	05701602	2	⊕ Binding Head S Tight Screw 2.5×11
38	01342005	2	Special Hexagonal Nut 2. 2φ
39	02521060	2	Hexagonal Nut 2. 3
40	05200613	4	Plain Washer 2.6×8×0.8
41	04910616	8	⊕ Binding Head S Tight Screw 3×7



ARM GROUP

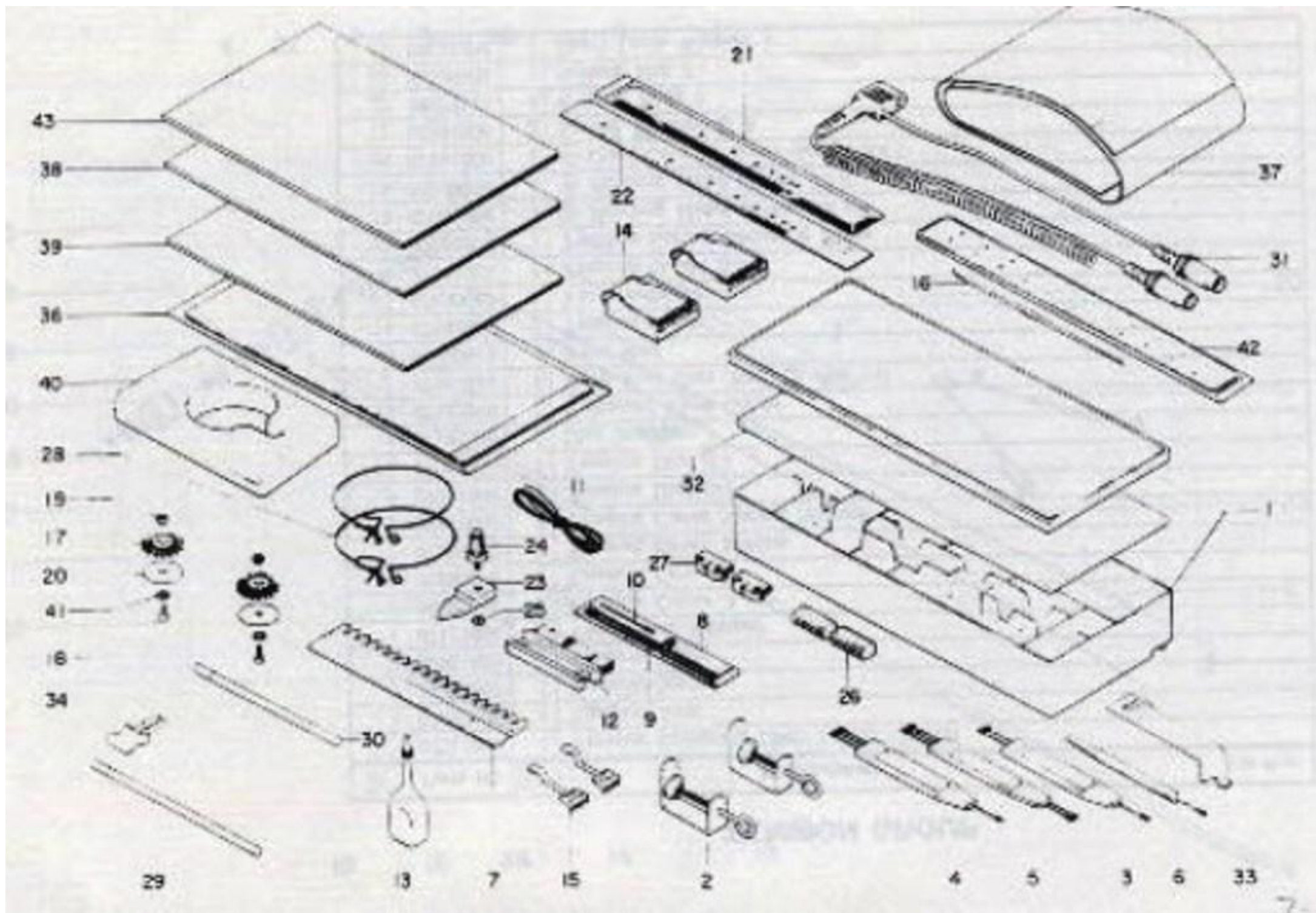
Ref. No.	Parts No.	Qty	Nomenclature	Unit Price
○	06500623	1	Arm Complete (Ref. 1-37)	
1	06030620	1	Arm	
2	06030611	1	Yarn Holder (R)	
3	06040610	1	Yarn Holder (L)	
4	06060610	1	Weaving Yarn Feeder (R)	
5	06060618	1	Weaving Yarn Feeder (L)	
5	06060615	1	Brush Holder (R)	
7	06100612	1	Brush Holder (L)	
8	06300618	1	Weaving Brush Base (R)	
9	06310617	1	Weaving Brush Base (L)	
10	06160616	1	Weaving Brush Operating Lever (R)	
11	06170616	1	Weaving Brush Operating Lever (L)	
12	06180614	2	Weaving Brush Knob	
13	08952116	2	E Snap Ring 1	
14	07571607	2	C S Snap Ring 2	
15	06210619	2	Weaving Brush Shaft D	
16	06230618	1	Weaving Brush Spring (R)	
17	06230617	1	Weaving Brush Spring (L)	
18	06240616	2	Weaving Brush	

Ref. No.	Parts No.	Qty	Nomenclature
19	06290614	2	Clearing Brush
20	06060610	1	Fabric Presser (R)
21	06070619	1	Fabric Presser (L)
22	06121206	2	Round Brush B
23	17361205	2	Round Brush Cover
24	06251201	2	Fabric Gear
25	06181606	1	Yarn Feeder
26	06201502	1	Plattling Yarn Feeder
27	06251607	1	Magnet (R)
28	06261606	1	Magnet (L)
29	06181002	6	⊕ Binding Head Screw 3x4.5
30	01338006	2	⊕ Binding Head Screw 3x6
31	05831003	2	⊕ Flat Head Screw 3x8
32	06290611	2	⊕ Pan Head Screw 3x6.5
33	06096002	4	⊕ Round Head Tapping Screw 2.23x6
34	07411200	2	Plain Washer 6.2x16x0.5
35	02142453	4	⊕ Binding Head S Tight Screw 3x6
36	03063201	2	⊕ Binding Head Screw 3x10
37	03061001	4	⊕ PW Binding Head Screw 3x5



TENSION GROUP

Qty	Part No.	QTY	Description
	07011604	1	Tension Complete (Ref. 1-12, 17-23)
1	07022007	1	Tension Arm
2	17182007	1	Tension Spring
3	07051600	1	Tension Shaft
4	07112006	2	Yarn Plate Stopper
5	07082001	2	Tension Cover A
6	07092000	2	Tension Cover B
7	07131602	2	Tension Cover Spring
8	07111602	2	Tension Cover Spring Stopper
9	07071608	1	Tension Dial (R)
10	07081607	1	Tension Dial (L)
11	07151608	2	Dial Stopper
12	07141609	1	V-shaped Yarn Guide
13	07010614	1	Yarn Rod Unit (Ref. 13-16, 24)
14	07020613	1	Yarn Rod
15	07041206	1	Tension Guide
16	07030612	1	Yarn Retainer
17	07061203	1	Tension Guide Rivet
18	07021009	1	Tension Spring Securing Plate
19	07031008	1	④ Binding Head Screw 2.6 x 5
20	05220611	2	④ Binding Head Screw 3 x 8
21	07541600	1	④ Oval Counter Sunk Screw 3 x 7
22	07581606	2	Spring Washer 2.3
23	09672115	4	E Snap Ring 5
24	02036002	1	Square Nut 3
25	09611304	1	Shaft Lock Washer 5



ACCESSORIES GROUP

Ref. No.	Parts No.	Qty.	Nomenclature	Unit Price
	07900624	1	Accessory Box Complete	
1	07300614	1	Accessory Box Unit	
2	07321201	2	Clamp	
3	07352008	1	Transfer Tool (1-2)	
4	07362007	1	Transfer Tool (1-3)	
5	07372006	1	Transfer Tool (2-3)	
6	07312002	1	Tappet	
7	07262006	1	Needle Pusher (0-1/1)	
8	07081003	1	Needle Envelope with Needles (Ref. 8-10)	
8	07091002	1	Needle Envelope	
9	01131002	3	Latch Needle	
10	07402001	1	Tapestry Needle	
11	07332000	1	Ravel Cord	
12	07342000	1	Cleaning Brush	
13	07922008	1	Oil Container	
14	07422009	2	Claw Weight	
15	17221201	2	Separator	
16	07440521	1	Crochet Hook (2/0-3/0)	
17	07019219	2	Round Brush B Unit (Ref. 17-20)	
17	06121206	2	Round Brush B	
18	06111207	2	Brush Screw	
19	06131205	2	Brush Nut	
20	17361206	2	Round Brush Cover	
21	08142119	1	Scale Set (Incl. 25)	

Ref. No.	Parts No.	Qty.	Nomenclature
22	08252116	1	Gauge Scale
23	07170814	1	Auxiliary Feeding Cam Unit (Ref. 23-25)
23	07180813	1	Auxiliary Feeding Cam
24	17191206	1	Auxiliary Feeding Cam Knob
25	07211204	1	Auxiliary Feeding Cam Snap
26	07100629	2	N-1 Cam
27	01200617	2	Point Cam
28	07380610	2	Card Guide
29	07380629	1	Design Pencil (****)
30	07390628	1	Design Pencil (***)
31	07040611	1	Curly Cord Unit
32	07410616	1	Accessory Box Packing
33	07080617	1	Carriage Fastener
34	07800618	1	Sensor Stopper
35	07510621	1	Accessory Pattern Card Set
37	07890627	1	K-R Pattern Paper Set
38	07860622	1	Operation Manual
39	07820624	1	Pattern Book
40	07450612	1	Carriage Packing
41	07411200	2	Plain Washer 6.2 x 10 x 0.5
42	15730047	1	Centre Scale Set
43	07890621	1	Knitting Manual
	02790720	1	Transformer Unit