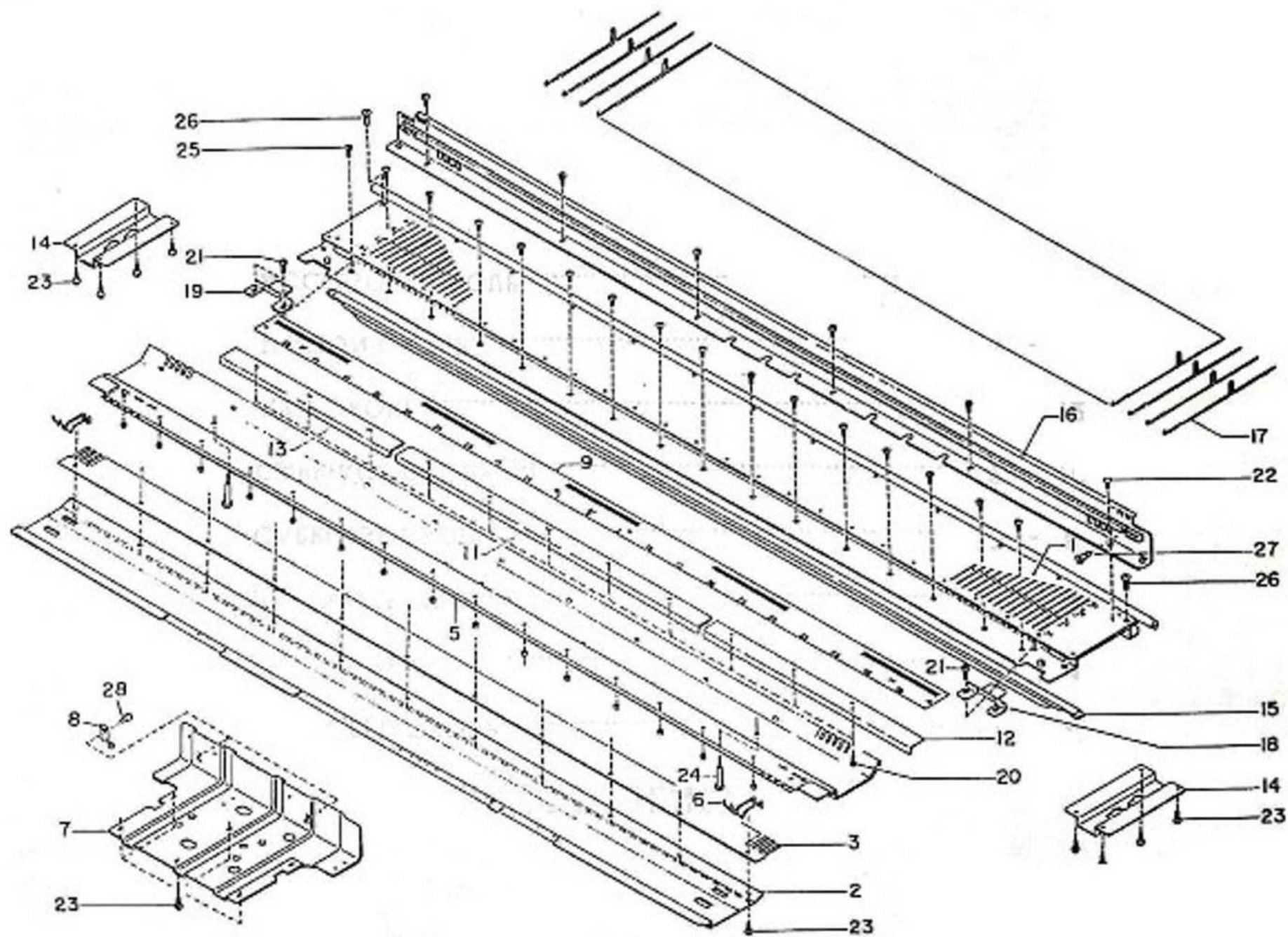
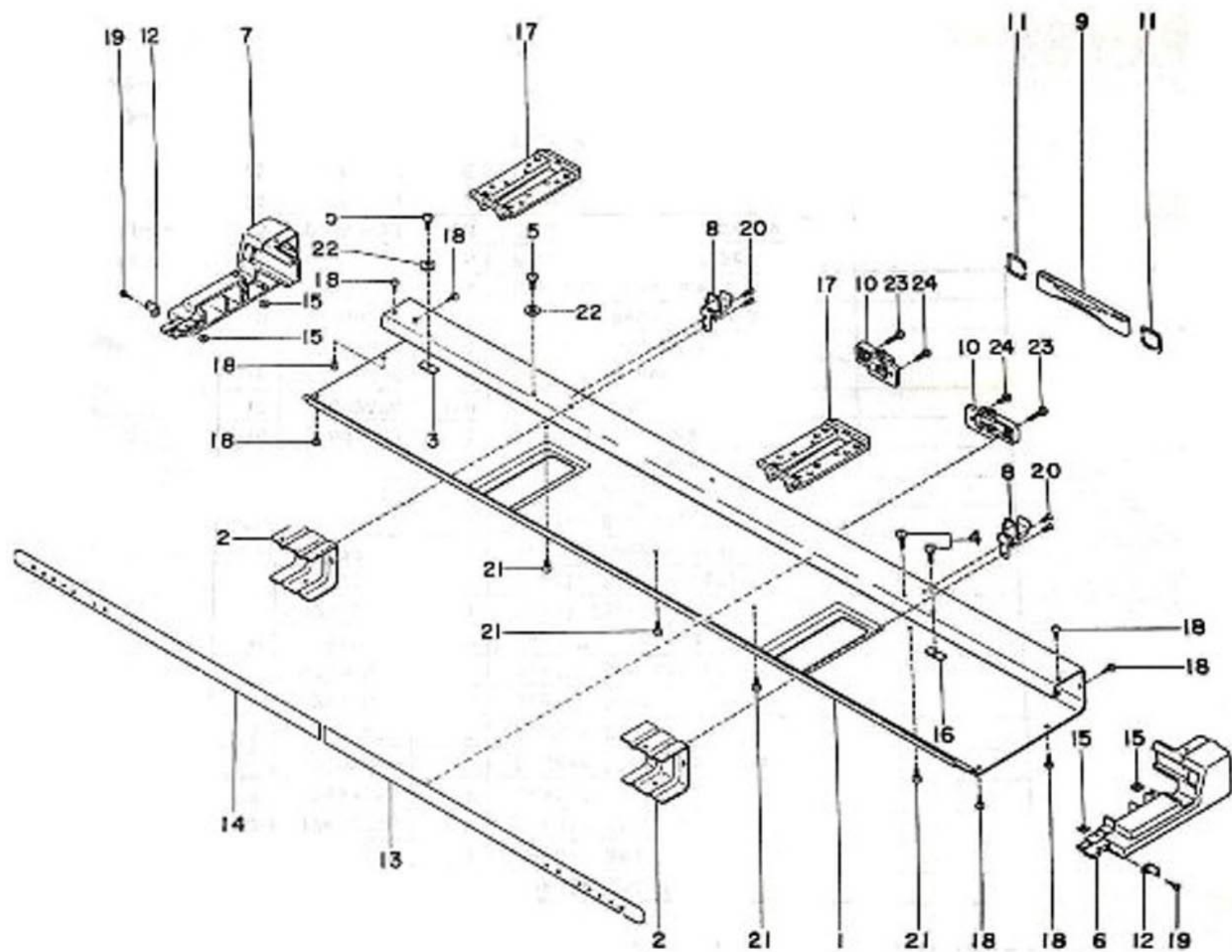


NEEDLE BED GROUP



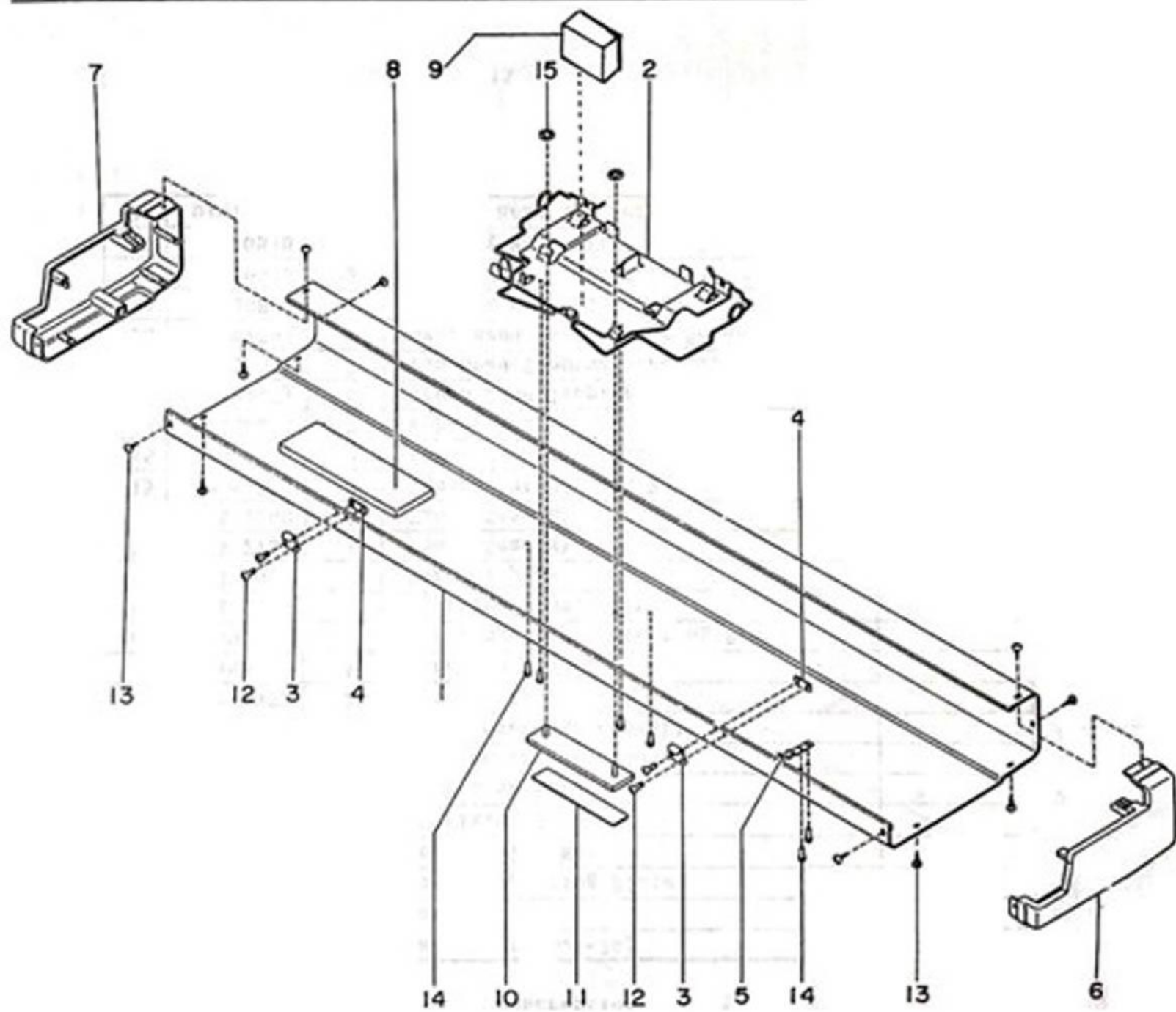
Ref. NO.	Part No.	Q'ty	Description	Unit Price
◎	12492633	1	Needle Bed Unit No.1	
1	12492658	1	Needle Bed Unit No.3	
2	12478046	1	Needle Stopper	
3	12493185	1	Leaf Spring	
○	12492666	1	Sinker Plate Unit (No.5~6)	
5	12478400	1	Sinker Plate	
6	12492674	76	Sinker Post	
7	01096817	1	Needle Bed Bracer A	
8	01280619	2	Yarn Rod Spring	
9	12492078	1	Vinyl Tape	
11	12473625	1	Needle Receiver (C)	
12	12473633	1	Needle Receiver (R)	
13	12473641	1	Needle Receiver (L)	
14	01106814	2	Needle Bed Bracer B	
15	12476990	1	Needle Retainer	
16	12492682	1	Needle Bed Rack	
17	12492690	150	Latch Needle	
18	02216810	1	Ribber Holder (R)	
19	02226819	1	Ribber Holder (L)	
20	04740205	11	Binding Head Screw 3x3	
21	03056884	4	Binding Head Screw 4x8	
22	04930814	6	Binding Head STT Screw 3x5	
23	02142453	28	Binding Head STT Screw 3x6	
24	01083716	2	Spec. CTT Screw 3x19	
25	04183307	16	Flat Head Screw 3x8	
26	12431656	2	Flat Head Screw 4x10	
28	04930814	2	Binding Head STT Screw 3x5	

CASE GROUP



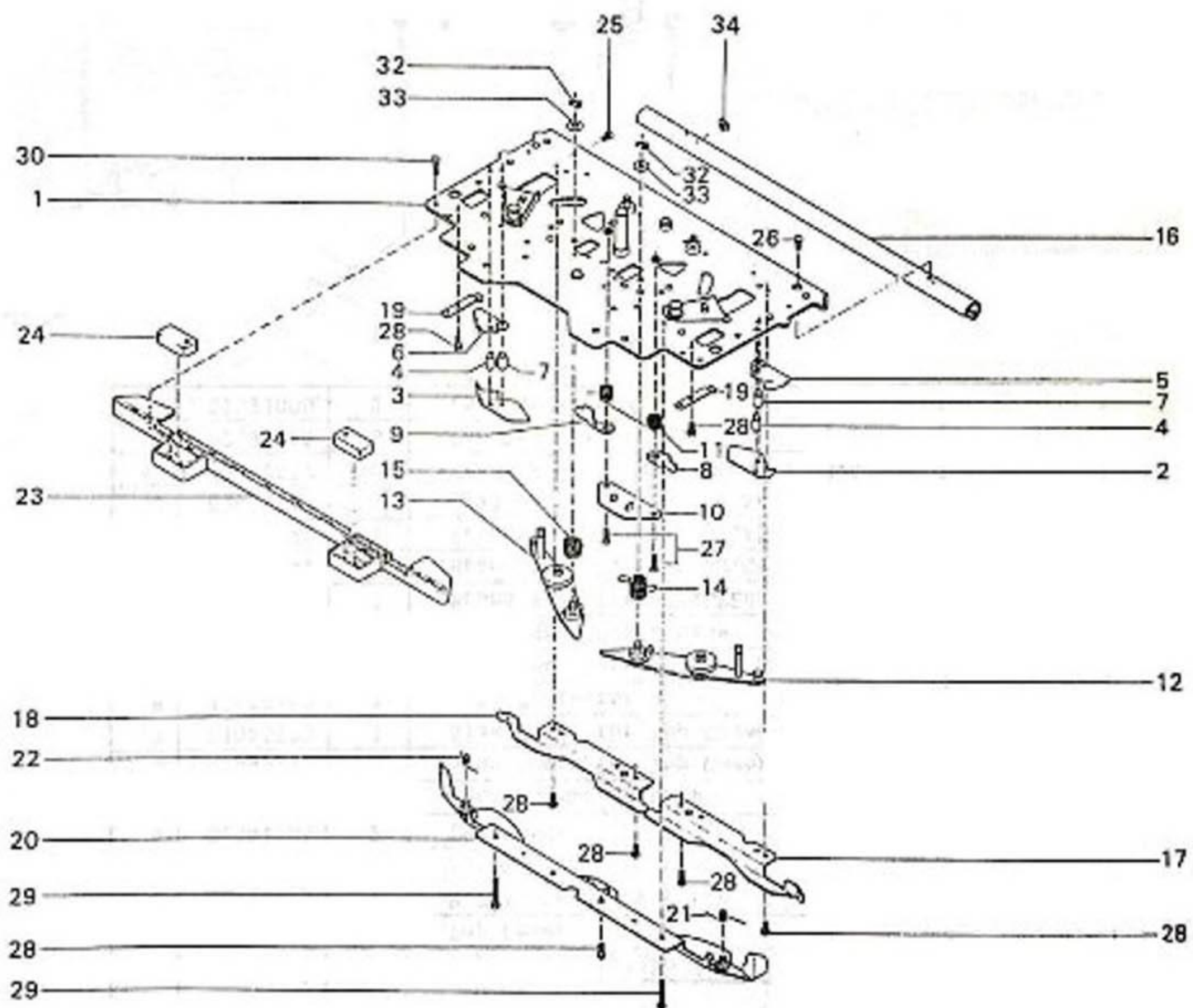
Ref. No.	Part No.	Q'ty	Description
◎	12472593	1	Case Unit (No. 1~24)
1	12472619	1	Case
2	12446241	2	Case Supporting Plate
3	02412005	1	Rectangular Nut
4	02232007	2	RC Fixing Screw
5	02296812	2	KR Fixing Screw
6	01045699	1	Side Cover for Case (R)
7	01045707	1	Side Cover for Case (L)
8	02272003	2	Latch Lock
9	12480430	1	Carrying Handle
10	12493177	2	Carrying Handle Securing Plate
11	02222008	2	Carrying Handle Ring
12	02170504	2	Yarn Clip
13	12492732	1	Panel Seal (R)
14	12492740	1	Panel Seal (L)
15	03066883	4	Square Nut M4, 8x8x2
16	02341204	1	Latch Securing Plate
17	02206811	2	Rubber Pad
18	12482477	8	Truss Head Tapping Screw 2, 3x6
19	02850493	2	Pan Head Tapping Screw 2, 2.6x6
20	02442267	8	Oval Head Countersunk Screw 2.6x4.5
21	04930814	4	Binding Head STT Screw 3x5
22	05010418	2	Plain Washer 2.6x7.5x0.5
23	01920818	2	Binding Head STT Screw 3x12
24	01910819	2	Collar Head STT Screw 3x8

TOP COVER GROUP



Ref. No.	Part No.	Q'ty	Description
◎	12492948	1	Top Cover Unit(No.1~9)
1	02076818	1	Top Cover
2	12492955	1	B.T.A. Securing Plate
3	02331205	2	Latch
4	02341204	2	Latch Nut
5	02126886	1	Tension Spring Clip
6	01045715	1	Side Cover for Top Cover (R)
7	01045723	1	Side Cover for Top Cover (L)
8	12452140	2	A.B. Protector A
9	12493318	1	Arm Protector
10	12480927	1	Brand Name Plate Base
11	12487666	1	Brand Name Plate(SILVER REED)
	12493342	1	Brand Name Plate(STUDIO)
	12498374	1	Brand Name Plate(EMPISAL)
12	02442267	4	Oval Head Countersunk Screw 2.6x4.5
13	12482477	10	Truss Head Tapping Screw 2, 3x6
14	02472264	6	Pan Head Rivet 2x3
15	02221000	2	CS Snap Ring 3

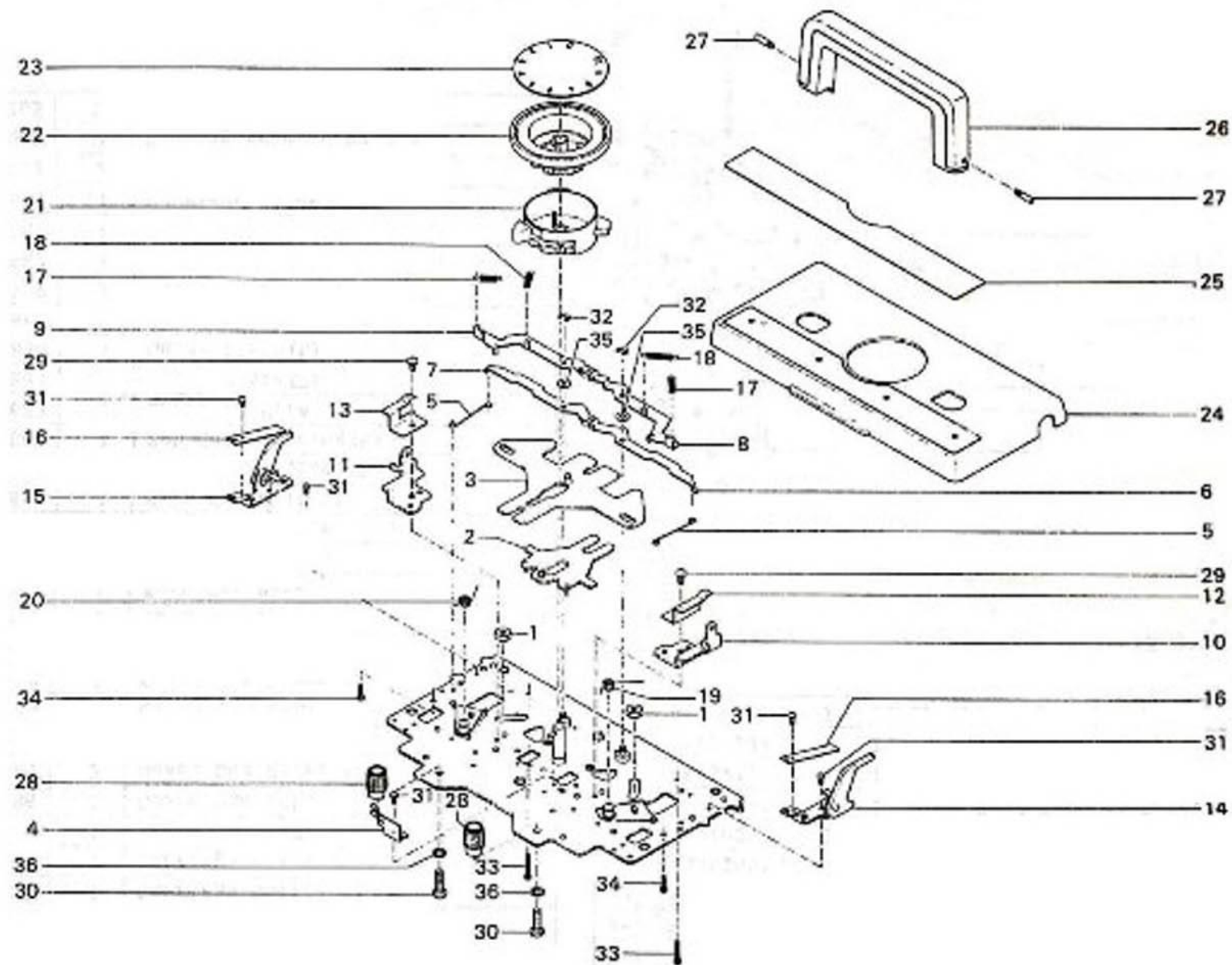
CARRIAGE GROUP (A)



Ref. No.	Part No.	Q'ty	Description
①	01055177	1	Carriage Unit(A-B)
1	04016887	1	Carriage Plate Unit(incl.No.2~7)
2	04096889	1	Guard Cam A(R)
3	04106886	1	Guard Cam A(L)
4	04116885	2	Guard Cam Rivet A
5	04816880	1	Guard Cam B(R)
6	04826889	1	Guard Cam B(L)
7	04836888	2	Guard Cam Rivet B
8	04136883	1	Tuck Cam(R)
9	04146882	1	Tuck Cam(L)
10	04156881	1	Tuck Cam Base
11	04166880	1	Tuck Cam Spring
12	04176889	1	Main Cam Unit(R)
13	04186888	1	Main Cam Unit(L)
14	04296885	1	Sub Cam A Spring(R)
15	04306882	1	Sub Cam A Spring(L)
16	04546883	1	Carriage Pipe
17	05066881	1	Guide Plate(R)
18	05076880	1	Guide Plate(L)
19	04576880	2	Russel Lever Spring A
20	04586889	1	Needle Guide Unit
21	04636882	1	Russel Lever Spring B(R)
22	04646881	1	Russel Lever Spring B(L)
23	04656880	1	Carriage Slider
24	06351001	2	Carriage Magnet B
25	04606000	2	Binding Head Screw 3x4
26	03046885	2	Binding Head Screw 3x7

Ref. No.	Part No.	Q'ty	Description
27	04183307	2	Flat Head Countersunk Screw 3x8
28	02142453	7	Binding Head STT Screw 3x6
29	04820205	2	Binding Head STT Screw 3x18
30	04860201	4	Binding Head Tapping Screw 2, 3x10
32	08662116	2	E Snap Ring 3
33	04621207	2	Plain Washer 4.2x10x0.8
34	04916888	2	Plain Washer 3.1x6x0.2

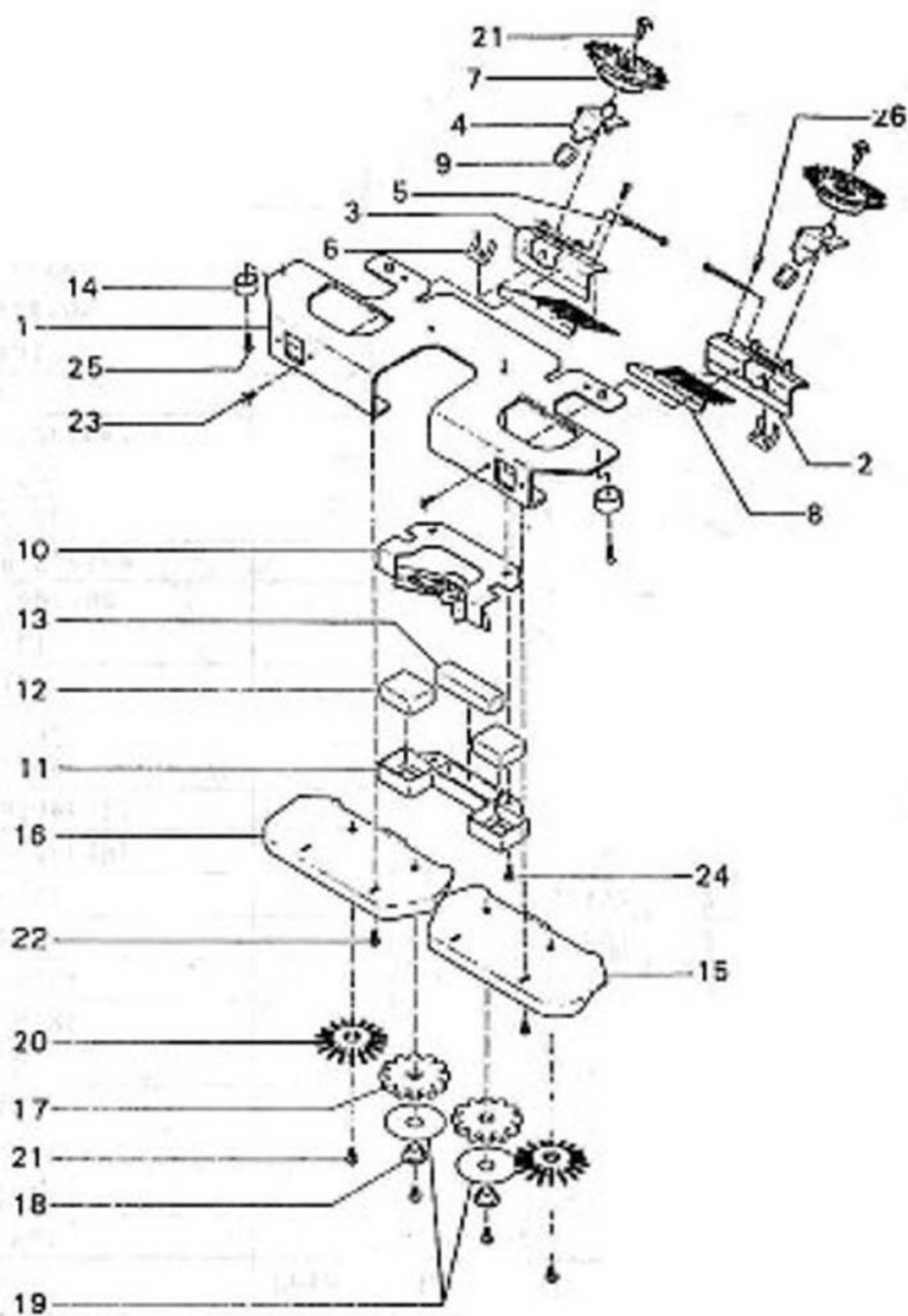
CARRIAGE GROUP (B)



Ref. No.	Part No.	Q'ty	Description	Unit Price
1	04471009	2	Main Cam Nut	
2	04316881	1	Moving Plate	
3	04346888	1	Travelling Plate	
4	04671004	1	Dial Spring	
5	04366886	2	AG Lever B	
6	04376885	1	AG Lever A(R)	
7	04386884	1	AG Lever A(L)	
8	04396883	1	Sub Lever (R)	
9	04406880	1	Sub Lever (L)	
10	04416889	1	Handle Holder (R)	
11	04426888	1	Handle Holder (L)	
12	04436887	1	Handle Holder Spring (R)	
13	04446886	1	Handle Holder Spring (L)	
14	09526815	1	RC Lever (R)	
15	09536814	1	RC Lever (L)	
16	04536884	2	RC Lever Spring	
17	04666889	2	Sub Cam B Spring	
18	04676888	2	Sub Lever Spring	
19	04686887	1	AG Lever Spring (R)	
20	04696886	1	AG Lever Spring (L)	
21	04106837	1	Cam Lever	
22	04076717	1	Stitch Dial	
23	12479325	1	Dial Indicator	
24	12499356	1	Carriage Cover	
25	01051686	1	Carriage Brand Plate	
26	12493078	1	Carriage Handle	
27	05741004	2	Carriage Handle Screw	

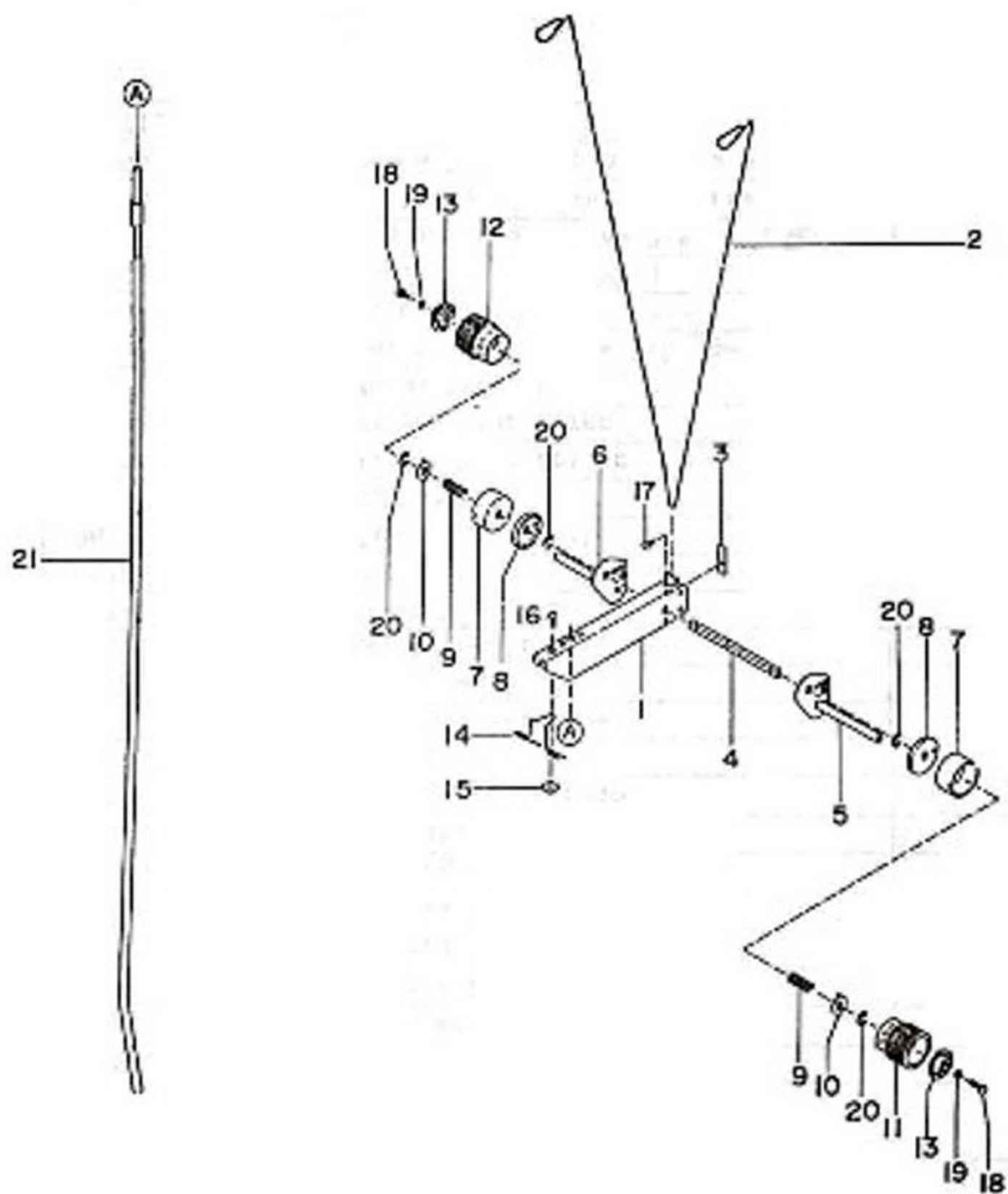
Ref. No.	Part No.	Q'ty	Description
28	12493045	2	Arm Nut
29	03056884	2	Binding Head Screw 4x8
30	01610369	2	Binding Head Screw 5x20
31	02142453	5	Binding Head STT Screw 3x6
32	08662116	2	E Snap Ring 3
33	04820205	2	Binding Head STT Screw 3x18
34	04860201	2	Binding Head Tapping Screw 2, 3x10
35	04621207	2	Plain Washer 4.2x10x0.8
36	05552153	2	Spring Washer 2, 5

ARM GROUP



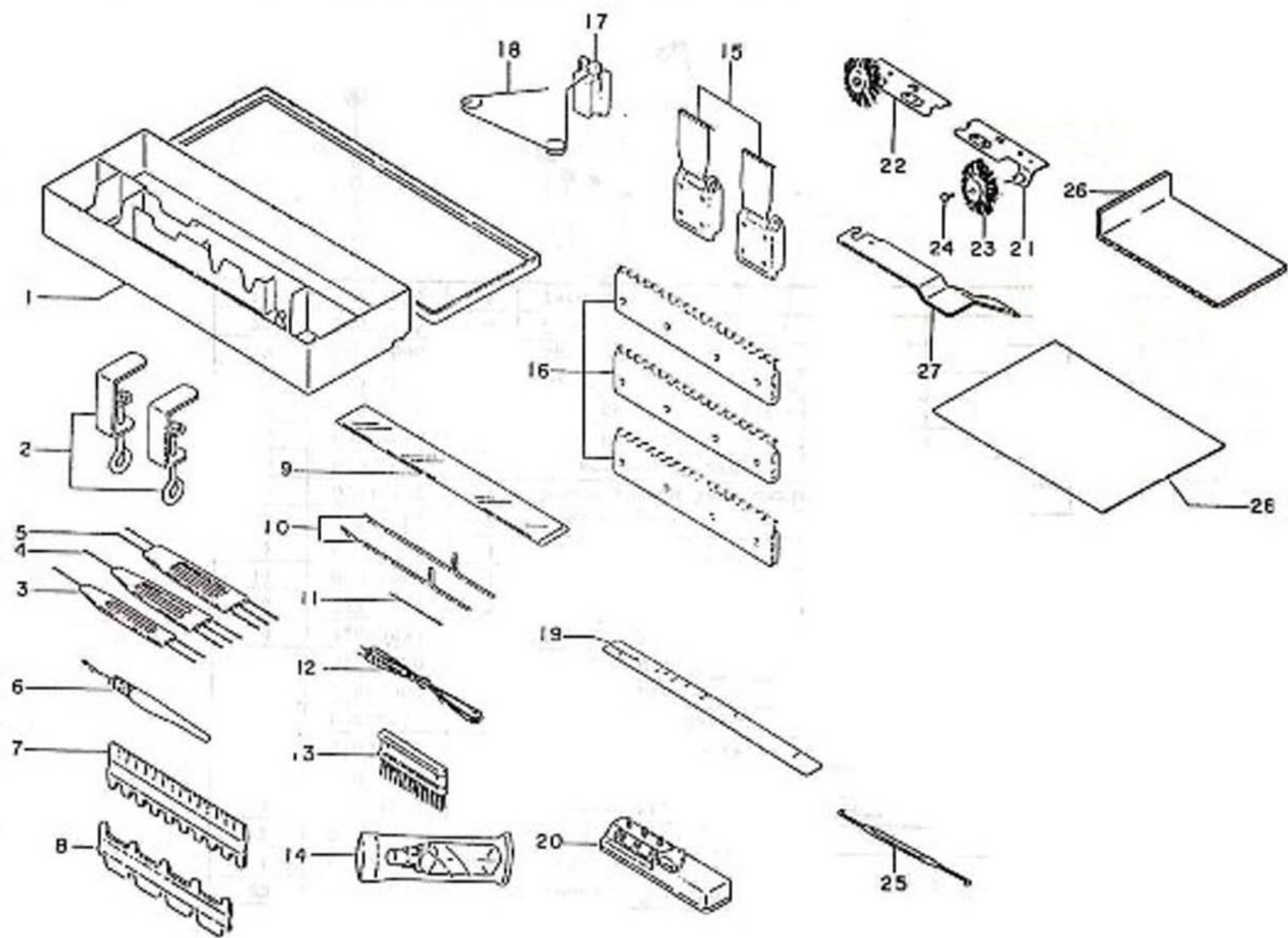
Ref.No.	Part No.	Q'ty	Description
①	12493102	1	Arm Unit(No.1~26)
1	06026835	1	Arm
2	06036834	1	Brush Holder No.2(R)
3	06046833	1	Brush Holder No.2(L)
4	12493136	2	Weaving Brush Base
5	06210819	2	Weaving Brush Shaft D
6	12493169	2	Weaving Brush Spring
7	12492815	2	Weaving Brush
8	06106835	2	Clearing Brush
9	05313713	2	Weaving Brush Knob
10	06046882	1	Yarn Feeder
11	06076889	1	Latch Magnet Cover
12	02170363	2	Latch Magnet
13	06096887	1	Latch Magnet B
14	04275319	2	Latch Magnet D
15	06106884	1	Fabric Presser(R)
16	06116883	1	Fabric Presser(L)
17	12492823	2	Rubber Gear
18	06156889	2	Rubber Gear Collar
19	06206882	2	Rubber Gear Cover
20	06176887	2	Round Brush C
21	08030611	6	Collar Head Screw 3x5
22	03036886	4	Binding Head Screw 3x3.5
23	01373109	4	Truss Head Screw 3x5
24	01332006	2	Binding Head Screw 3x6
25	04760203	2	Flat Head Countersunk Screw 3x12
26	06096002	4	Round Head Tapping Screw 2, 2.3x6
27	07571607	2	CS Snap Ring 2

TENSION GROUP



Ref.No.	Part No.	Q'ty	Description
◎	12492849	1	Tension Unit (No.1~20)
1	07646888	1	Tension Arm
2	07026883	1	Tension Spring
3	07021009	1	Tension Spring Securing Plate
4	07051600	1	Tension Shaft
5	07036882	1	Yarn Holder Bar (R)
6	07046881	1	Yarn Holder Bar (L)
7	07082001	2	Tension Disc A
8	07092000	2	Tension Disc B
9	12492831	2	Tension Disc Spring
10	07111602	2	Tension Disc Spring Stopper
11	07096886	1	Tension Dial (R)
12	07106883	1	Tension Dial (L)
13	12434262	2	Dial Stopper
14	07116882	1	Round-shaped Yarn Guide
15	02036002	1	Square Nut 3, 8x8x2
16	07541600	1	Oval Head Countersunk Screw 3x7
17	06214001	1	Binding Head Screw 2.6x4
18	06291009	2	Binding Head Screw 3x8
19	07581606	2	Spring Washer 2, 3
20	08672115	4	E Snap Ring 4
21	12479275	1	Yarn Rod

ACCESSORY GROUP



Ref. No.	Part No.	Q'ty	Description	Unit Price
⊙	12493375	1	Accessory Complete (No. 1-26)	
1	12492906	1	Accessory Box	
2	07321201	2	Clamp	
3	12419685	1	Transfer Tool (1-2)	
4	12419693	1	Transfer Tool (1-3)	
5	12419701	1	Transfer Tool (2-3)	
6	12425567	1	Tappet Tool	
7	12419669	1	Needle Pusher (0-1/1)	
8	12434304	1	Needle Pusher (1/3-3/1)	
9	12492872	1	Needle Envelope	
10	12492690	2	Latch Needle	
11	07246887	1	Tapestry Needle (2.1x65)	
12	12462719	1	Cast-on Thread	
13	07342009	1	Cleaning Brush	
14	07922008	1	Oil Container	
15	07206824	2	Claw Weight	
16	07686884	3	Wide Claw Weight	
17	12436069	1	Tension Guide Holder	
18	12479291	1	Tension Guide	
19	12434288	1	Gauge Scale	
20	98052376	1	Row Counter	
○	07306889	1	Tuck Brush Unit (R) (Nos. 21, 23, 24)	
○	07316888	1	Tuck Brush Unit (L) (Nos. 22, 23, 24)	
21	07326887	1	Tuck Brush Holder (R)	
22	07336886	1	Tuck Brush Holder (L)	
23	07576887	2	Tuck Brush	
24	08030611	2	Collar Head Screw 3x5	

Ref. No.	Part No.	Q'ty	Description
25	12492922	1	Crochet Hook
26	12479218	1	Accessory Box Packing
27	07416886	1	Carriage Fastener
28	12493250	1	Instruction Book