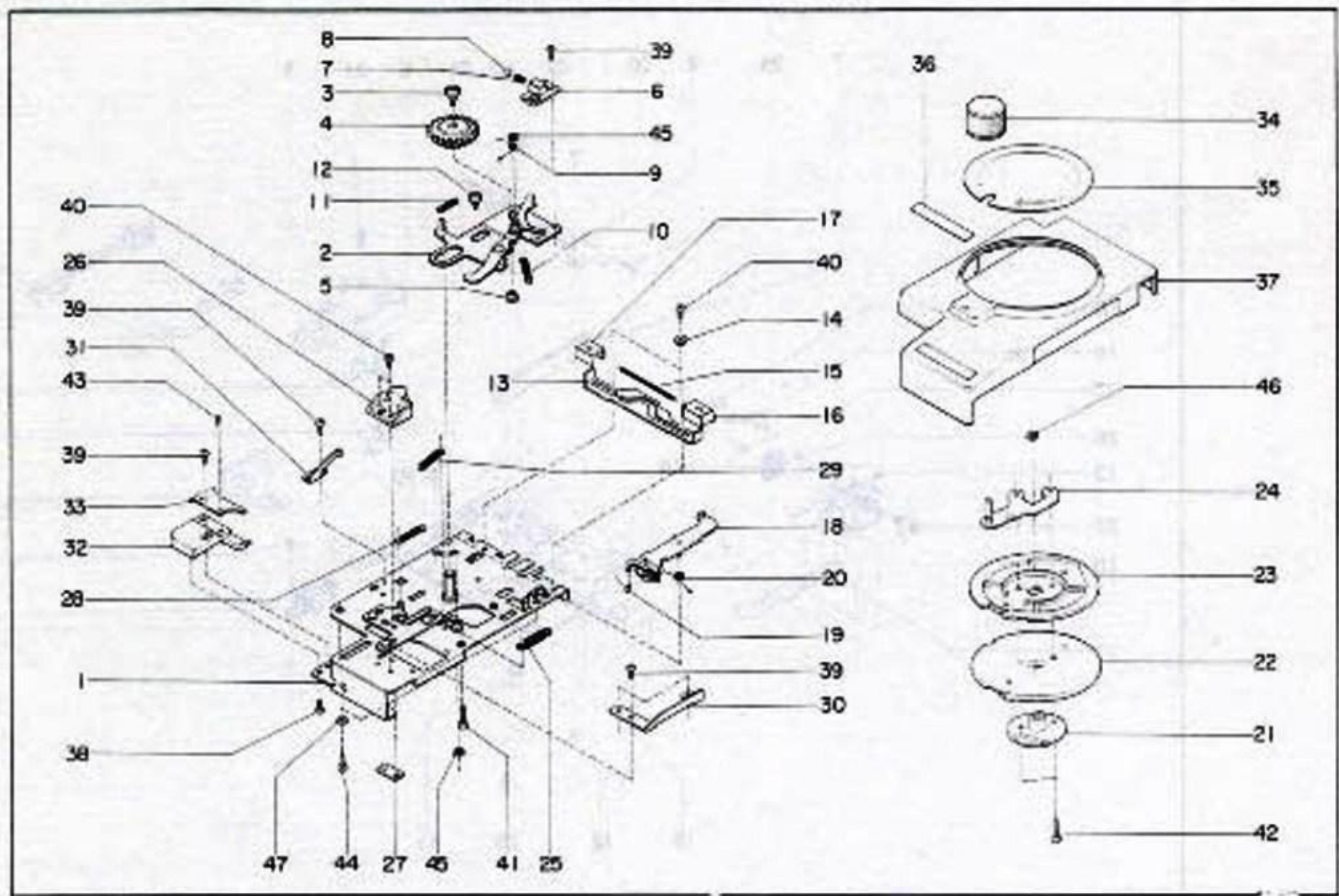


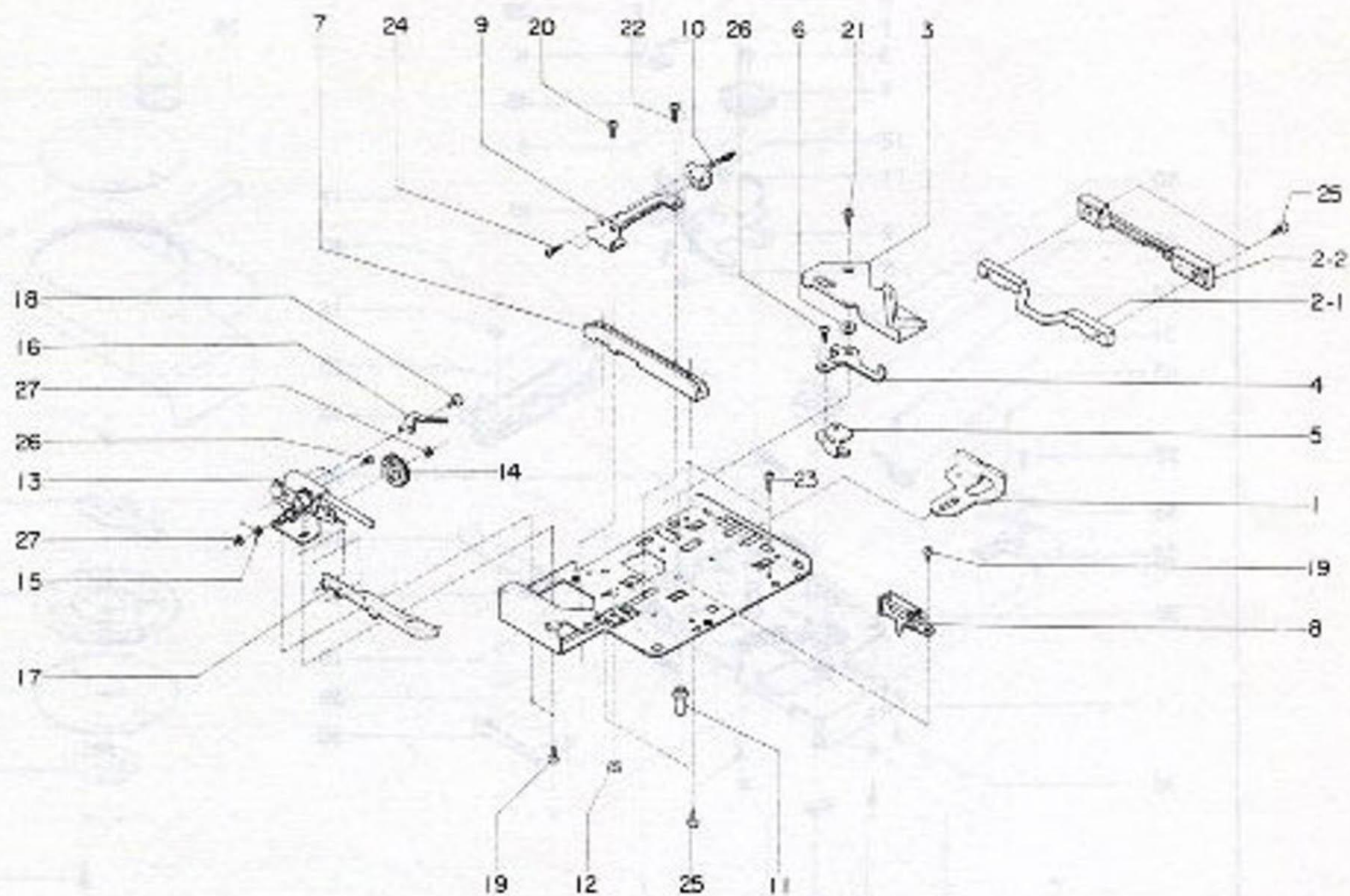
AUTOMATIC LINKER SC-7 (A)



Ref. No.	Part No.	Qty	Description	Unit Price
1	04984803	1	SC Carriage Unit (w/inserted parts)	
2	04574822	1	Feeding Cam Base Unit (w/inserted parts)	
3	04804803	1	Connection Gear Screw B	
4	04794822	1	Connection Gear	
5	04714804	1	Connection Gear Screw A	
6	04784823	1	Spring Holder	
7	04774808	1	Gear Spring	
8	03224823	1	Collar 5 x 5	
9	04754800	1	Feeding Spring A	
10	04744801	1	Feeding Spring B	
11	04734802	2	Feeding Spring C	
12	04724803	1	Feeding Cam Base Screw	
13	04424826	1	Slide Lever	
14	04414801	2	Slide Lever Holder	
15	03954807	1	Slide Lever Spring	
16	04134805	1	Slide Button (R)	
17	04124822	1	Slide Button (L)	
18	04694808	1	Yarn Holder Lever Unit (w/inserted parts)	
19	04614806	1	Yarn Holder Spring A	
20	04604807	1	Yarn Holder Spring B	
21	04584801	1	Cam B, C	
22	04574802	1	Cam D, E	
23	04564803	1	Cam F	
24	04554804	1	Handle Base Unit	
25	04484804	1	Needle Cart Spring	

Ref. No.	Part No.	Qty	Description
26	04594805	1	Positioning Cam A
27	04384822	1	Positioning Cam Nut
28	03934809	1	Positioning Cam Spring
29	04504804	1	Transfer Base Spring
30	03924800	1	Carriage Auxiliary Plate
31	04114807	1	Feeding Stopper Spring
32	04034823	1	Fabric Holder Base
33	04024808	1	Fabric Holder
34	04104824	1	Crank Knob
35	04084828	1	SC Plate
36	04074829	1	Model Number Seal
37	04014825	1	SC Cover
38	05861000	1	⊕ Round Head Tapping Screw 2.2 x 10
39	05212006	6	⊕ Binding Head Screw 3 x 5
40	01332006	4	⊕ Binding Head Screw 3 x 6
41	04741005	1	⊕ Binding Head Screw 3 x 14
42	04502001	2	⊕ Binding Head Screw 3 x 16
43	03964806	1	⊕ Pan Head Tapping Screw 2.2 x 4
44	02900811	2	⊕ Binding Head Tapping Screw 2.3 x 10
45	08662116	2	E Soap Ring 5
46	08672115	1	F Soap Ring 4
47	06341002	2	Flax Washer 3.8 x 8 x 0.8

AUTOMATIC LINKER SC-7 (B)



Ref. No.	Part No.	Qty	Description	Unit Price
1	04984803	1	SC Lamage Unit (w/ripped parts)	
2	04574822	1	Feeding Cam Base Unit (w/ripped parts)	
3	04804803	1	Connection Gear Screw B	
4	04794822	1	Connection Gear	
5	04714804	1	Connection Gear Screw A	
6	04784823	1	Spring Holder	
7	04774804	1	Gear Spring	
8	03224823	1	Collar 5 x 5	
9	04754800	1	Feeding Spring A	
10	04744801	1	Feeding Spring B	
11	04734802	2	Feeding Spring C	
12	04724803	1	Feeding Cam Base Screw	
13	04424826	1	Slide Lever	
14	04414801	2	Slide Lever Holder	
15	03954807	1	Slide Lever Spring	
16	04134805	1	Slide Button (R)	
17	04124822	1	Slide Button (L)	
18	04694808	1	Yarn Holder Lever Unit (w/ripped parts)	
19	04614806	1	Yarn Holder Spring A	
20	04604807	1	Yarn Holder Spring B	
21	04584801	1	Cam B, C	
22	04574802	1	Cam D, E	
23	04564803	1	Cam F	
24	04554804	1	Handle Base Unit	
25	04484804	1	Needle Cart Spring	

Ref. No.	Part No.	Qty	Description
26	04594805	1	Positioning Cam A
27	04384822	1	Positioning Cam Nut
28	03934809	1	Positioning Cam Spring
29	04504804	1	Transfer Base Spring
30	03924800	1	Carriage Auxiliary Plate
31	04114807	1	Feeding Stopper Spring
32	04034823	1	Fabric Holder Base
33	04024808	1	Fabric Holder
34	04104824	1	Crank Knob
35	04084828	1	SC Plate
36	04074829	1	Model Number Seal
37	04014825	1	SC Cover
38	05861000	1	⊕ Round Head Tapping Screw 2, 2.6 x 10
39	05212006	6	⊕ Binding Head Screw 3 x 5
40	01332006	4	⊕ Binding Head Screw 3 x 6
41	04741005	1	⊕ Binding Head Screw 3 x 14
42	04502003	2	⊕ Binding Head Screw 3 x 16
43	03964806	1	⊕ Pan Head Tapping Screw 2, 2 x 4
44	02900611	2	⊕ Binding Head Tapping Screw 2, 3 x 10
45	08662116	2	E Snap Ring 5
46	08672115	1	E Snap Ring 4
47	06341002	2	Flax Washer 3.8 x 8 x 0.8