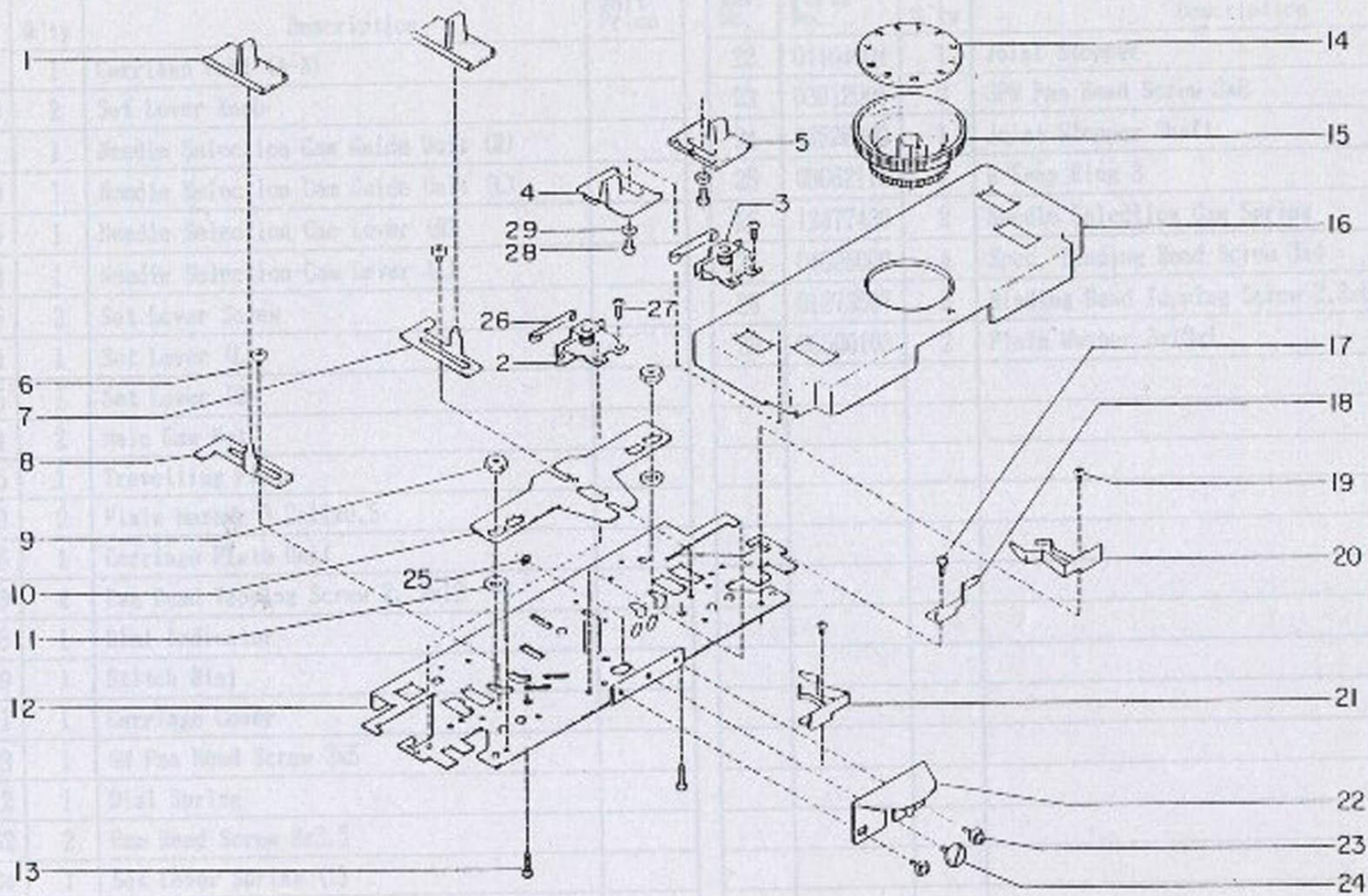


BBER CARRIAGE RJ 1

CARRIAGE GROUP A



CARRIAGE GROUP A

f.	Parts No.	Q'ty	Description	Unit Price	Ref. No.	Parts No.	Q'ty	Description
1	12477097	1	Carriage Unit (A-B)		22	04464004	1	Joint Stopper
1	12477253	2	Set Lever Knob		23	03812005	2	SPW Pan Head Screw 3x8
2	12477311	1	Needle Selection Cam Guide Unit (R)		24	04526000	1	Joint Stopper Shaft
3	12477329	1	Needle Selection Cam Guide Unit (L)		25	08662116	1	E Snap Ring 3
4	12477295	1	Needle Selection Cam Lever (R)		26	12477436	2	Needle Selection Cam Spring
5	12477303	1	Needle Selection Cam Lever (L)		27	04606000	4	Spec. Binding Head Screw 3x4
6	04236006	2	Set Lever Screw		28	01273507	2	Binding Head Tapping Screw 2,3x6
7	04345344	1	Set Lever (L)		29	96500103	2	Plain Washer 3x10x1
8	04335345	1	Set Lever (R)					
9	14426001	2	Main Cam Nut					
0	04063715	1	Travelling Plate					
1	06395263	2	Plain Washer 3.2x11x0.5					
2	12477105	1	Carriage Plate Unit					
3	04296000	4	Pan Head Tapping Screw 2, 3x12					
4	12477063	1	Dial Indicator					
5	12477279	1	Stitch Dial					
6	12477261	1	Carriage Cover					
7	03792009	1	SW Pan Head Screw 3x5					
8	04173712	1	Dial Spring					
9	02750362	2	Pan Head Screw 3x3.5					
20	04256004	1	Set Lever Spring (L)					
21	04246005	1	Set Lever Spring (R)					

RIBBER CARRIAGE RJ 1

CARRIAGE GROUP B

