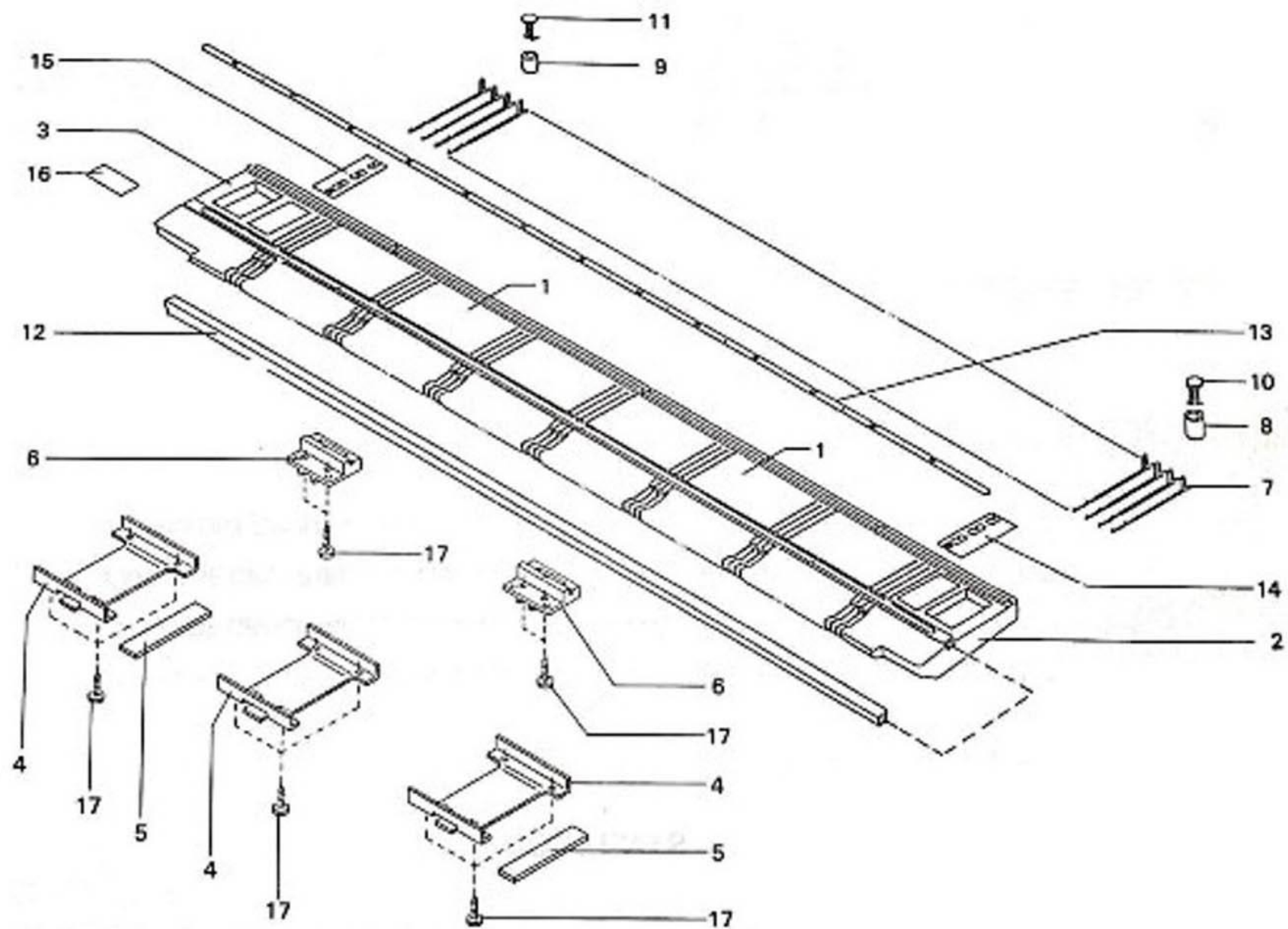
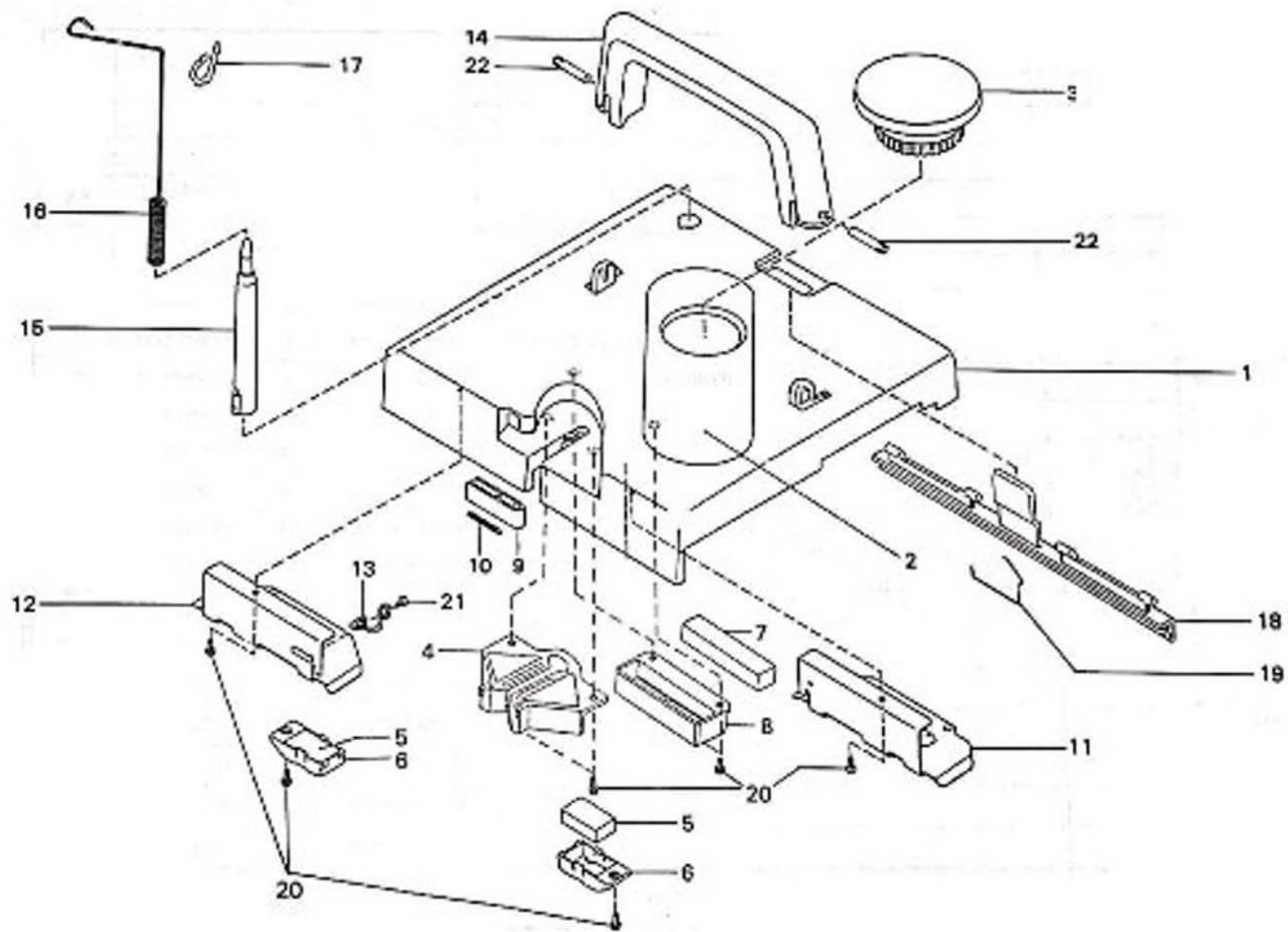


# NEEDLE BED GROUP



Ref. No.	Parts No.	Q'ty	Description
1	06036826	2	Needle Bed
2	07036825	1	Side Plate (R)
3	07046824	1	Side Plate (L)
4	07066822	3	Needle Bed Bracer
5	07076821	2	Foot Rubber
6	07106826	2	RC Socket
7	06106827	90	Latch Needle
8	06116826	45	Needle Bat Roller A (Gray)
9	07626823	45	Needle Bat Roller B (White)
10	06136824	45	Stopper for Needle Bat Roller A (Gray)
11	07636822	45	Stopper for Needle Bat Roller B (White)
12	06156822	1	Needle Retainer
13	07646821	1	Needle Number Tape (SILVER-REED, SINGER)
	07136823	1	Needle Number Tape (KNITMASTER)
14	07656820	1	Needle Bed Tape (R)
15	07666829	1	Needle Bed Tape (L)
16	12400180	1	Front Edge Seal (SILVER-REED, SINGER)
17	01455229	16	Binding Head Tapping Screw 2, 3 × 12

# CARRIAGE GROUP (A)

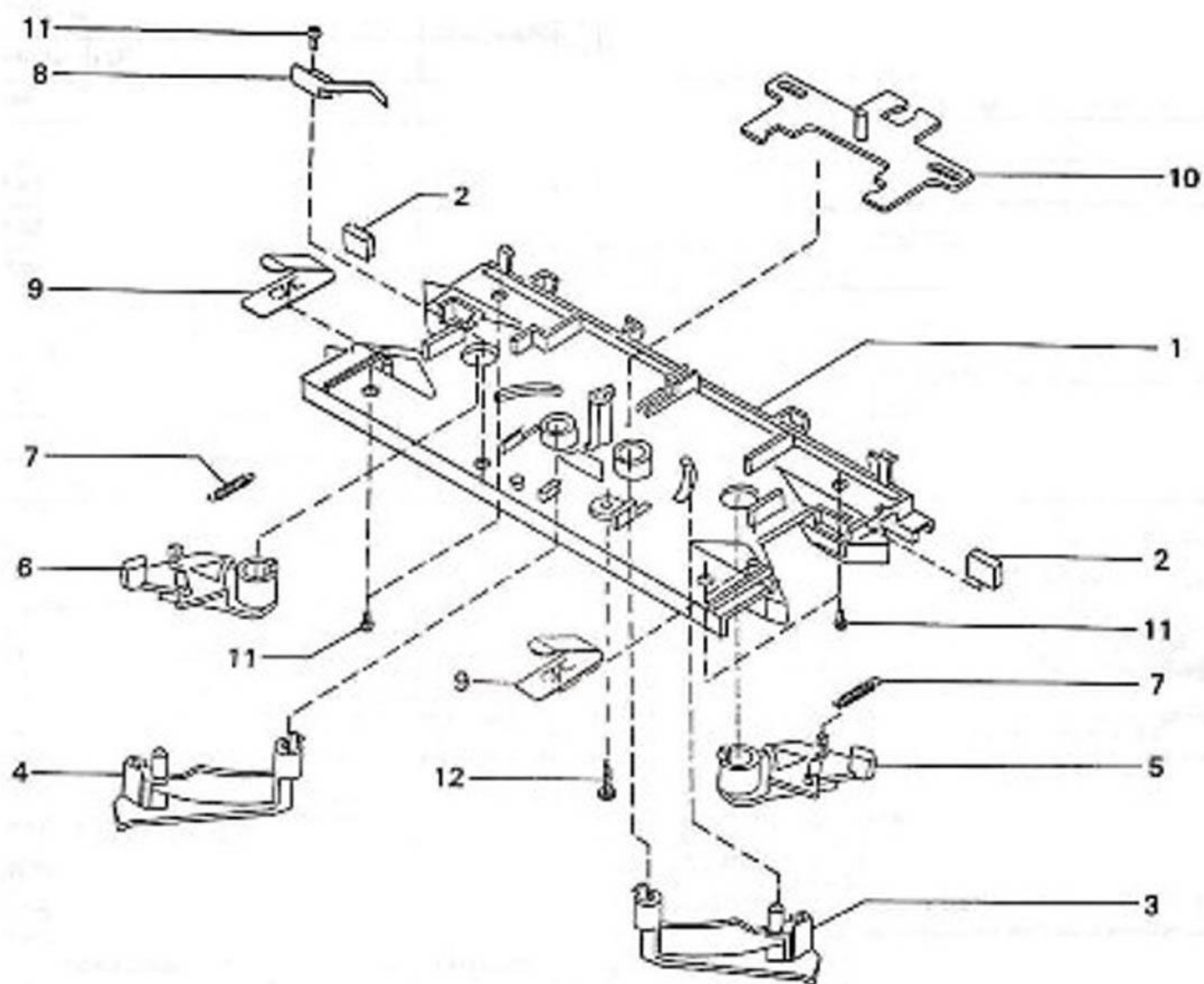






## CARRIAGE GROUP (B)

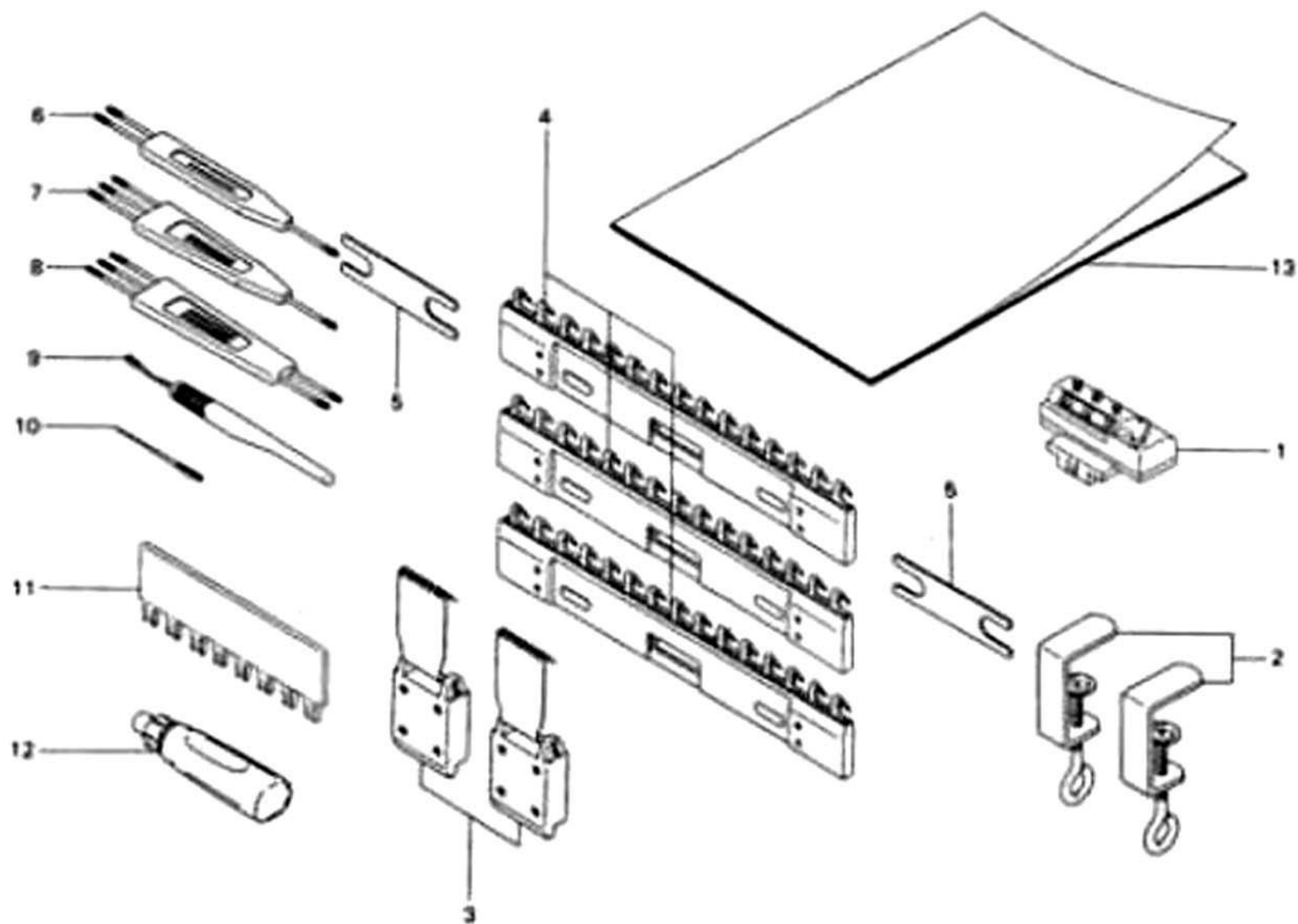
---



Ref. No.	Parts No.	Qty	Description
1	06206825	1	Carriage Plate
2	06216824	2	Sub Cam Stopper
3	06226823	1	Main Cam (R)
4	06236822	1	Main Cam (L)
5	06246821	1	Sub Cam (R)
6	06256820	1	Sub Cam (L)
7	04086203	2	Sub Cam Spring
8	04173712	1	Dial Spring
9	06636823	2	Handle Spring
10	06286827	1	Travelling Plate
11	01040419	5	Binding Head Tapping Screw 2, 3 × 8
12	05861000	1	Pan Head Tapping Screw 2, 2.6 × 10

## ACCESSORY GROUP

---





Ref. No.	Parts No.	Q'ty	Description
1	07806821	1	Row Counter
2	07321201	2	Clamp
3	07206824	2	Claw Weight
4	07226822	3	Cast-on Comb
5	07326200	2	Cast-on Comb Joiner
6	07156888	1	Transfer Tool 1—2
7	07166887	1	Transfer Tool 1—3
8	07176886	1	Transfer Tool 2—3
9	07196884	1	Tappet Tool
10	07246887	1	Tapestry Needle 2.1 × 65
11	08016826	1	Needle Pusher
12	07922008	1	Oil Container
13	07816820	1	Instruction Book (SILVER-REED, SINGER)
○	08126823	1	Pattern Paper (SILVER-REED, SINGER)
○	12401618	1	Pattern Leaflet (SILVER-REED, SINGER)
○	08026825	1	Knitting Scale Set (SILVER-REED, SINGER)
○	12411302	1	Knitting Scale Set (KNITMASTER)
○	12401576	1	Side Packing (R)
○	12401584	1	Side Packing (L)