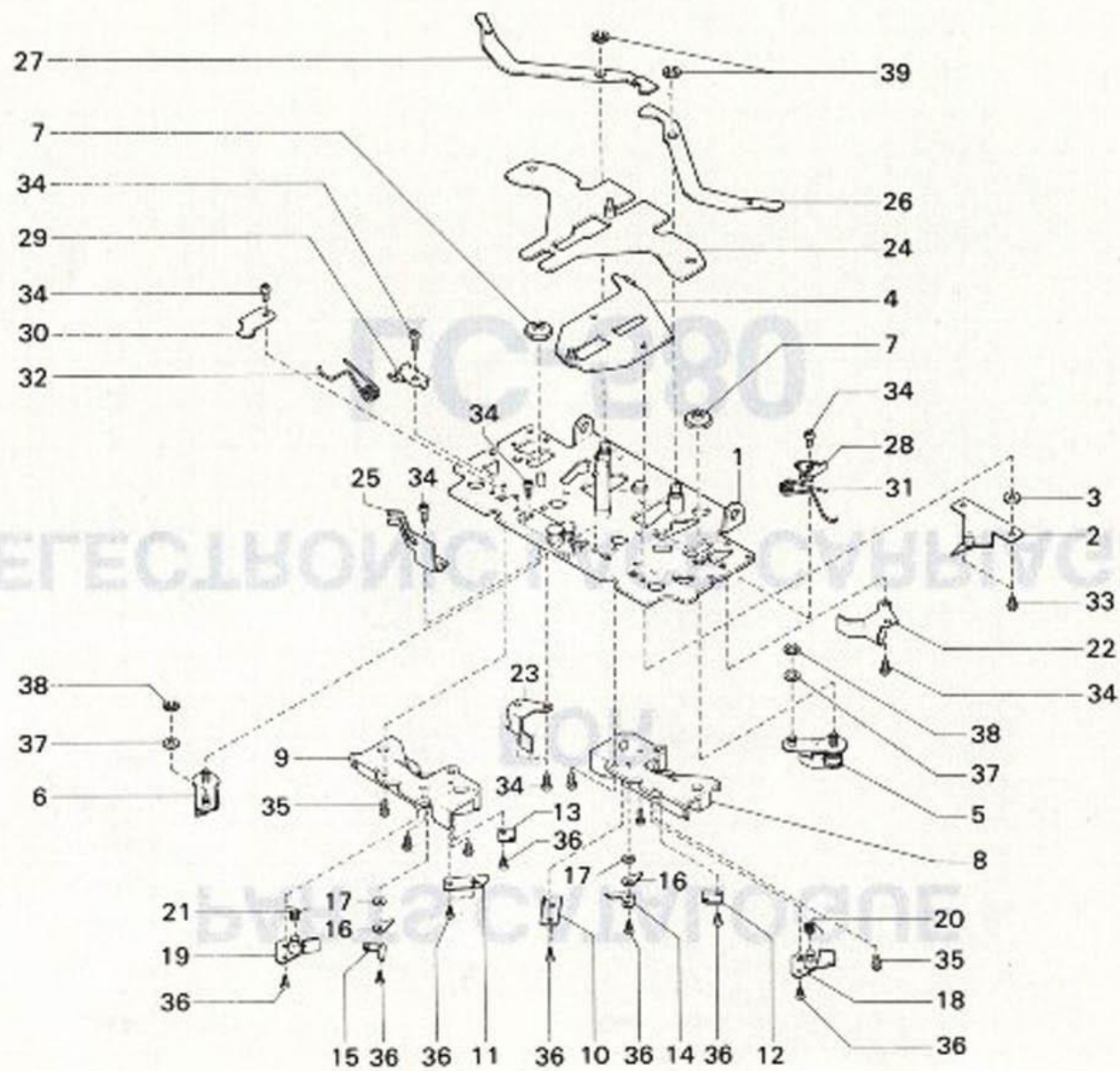
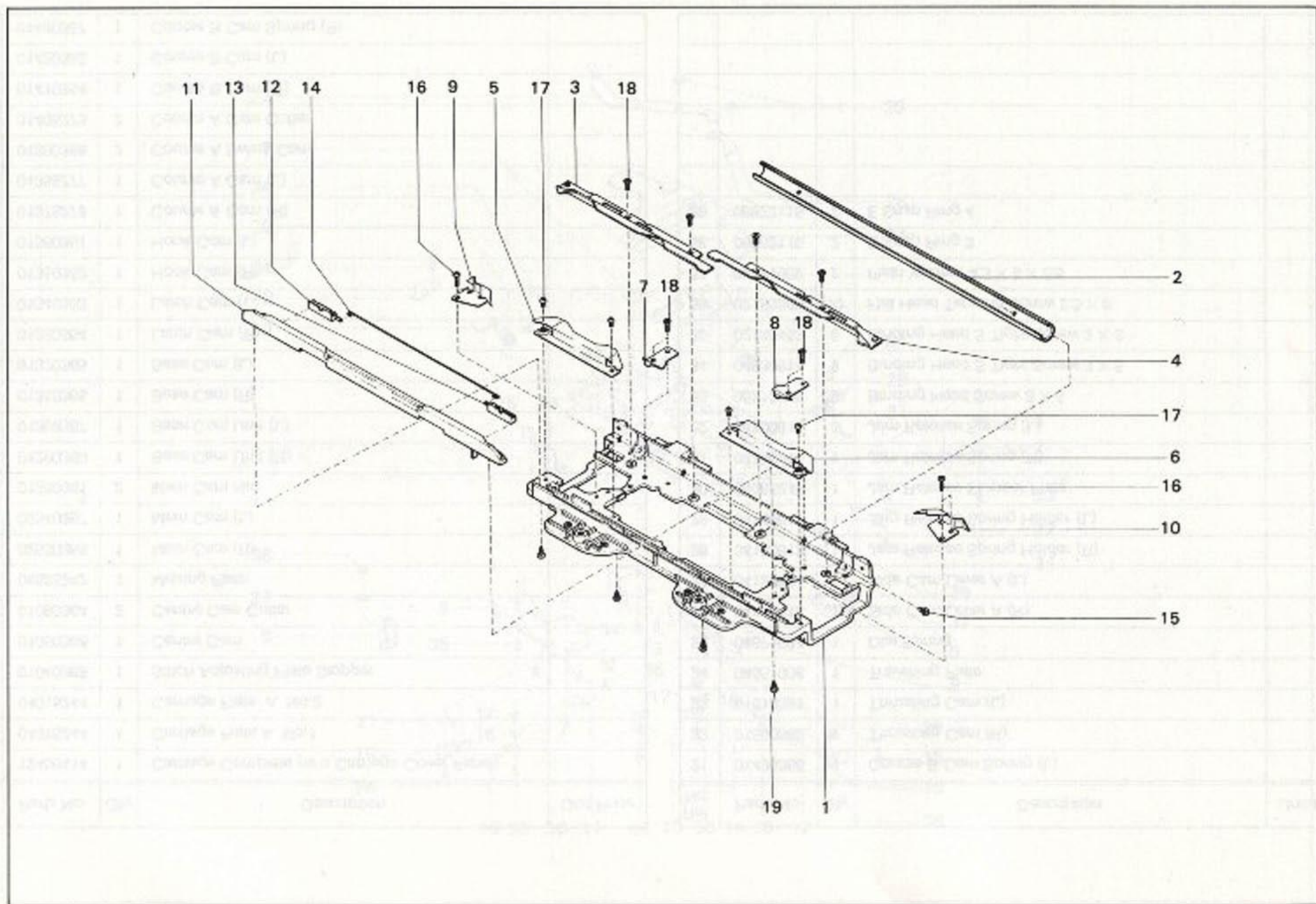


L CARRIAGE (GROUP A)

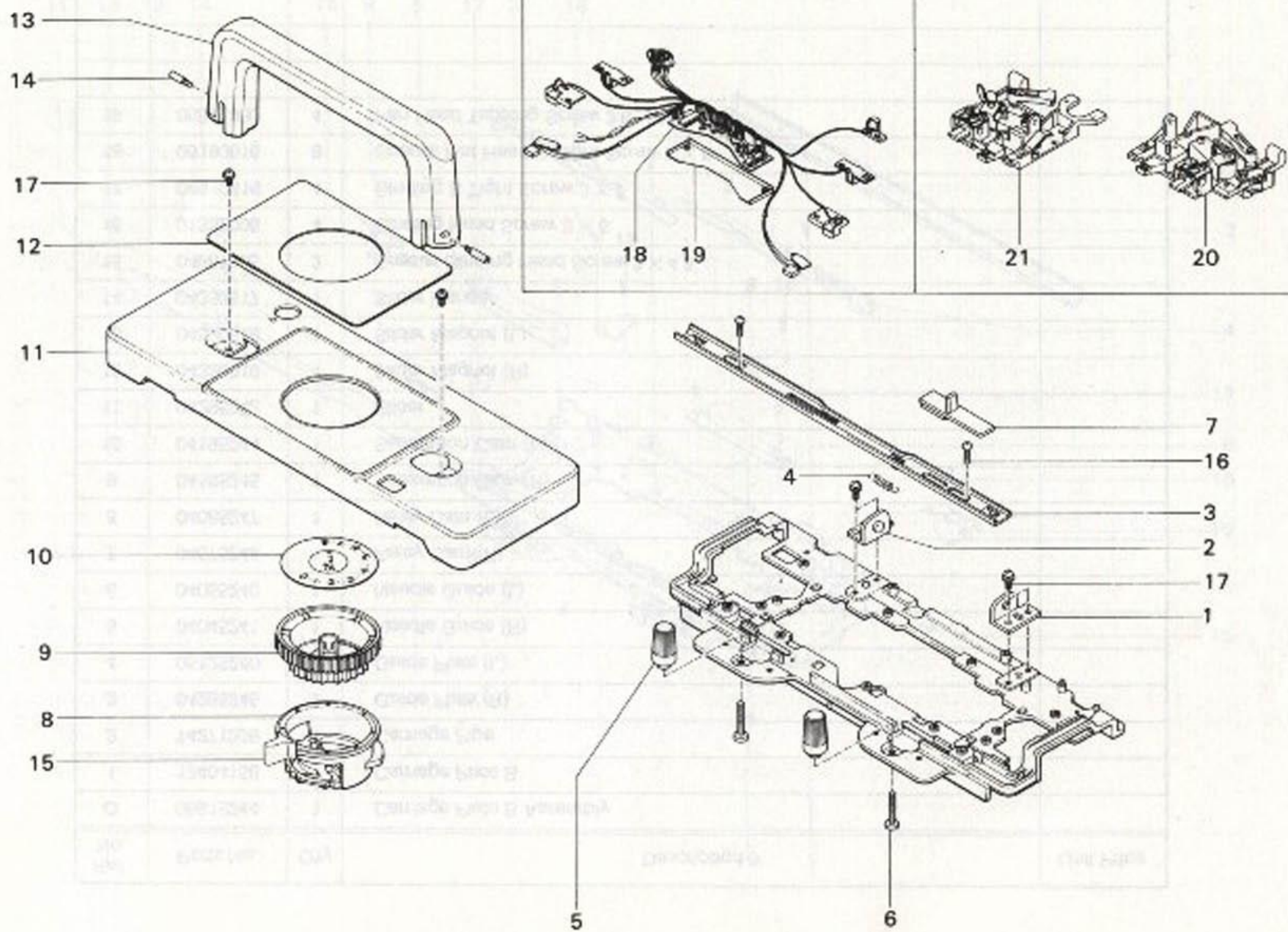


L CARRIAGE (GROUP B)



Ref. No.	Parts No.	Qty	Description	Unit Price
O	05915244	1	Carriage Plate B Assembly	
1	12404158	1	Carriage Plate B	
2	14271209	1	Carriage Pipe	
3	04265245	1	Guide Plate (R)	
4	05125240	1	Guide Plate (L)	
5	04045241	1	Needle Guide (R)	
6	04055240	1	Needle Guide (L)	
7	04075248	1	Relay Cam (R)	
8	04085247	1	Relay Cam (L)	
9	04185245	1	Separation Cam (R)	
10	04195244	1	Separation Cam (L)	
11	04295242	1	Slider	
12	04320610	1	Slider Magnet (R)	
13	04330619	1	Slider Magnet (L)	
14	04350617	1	Slider Hanger	
15	04981205	2	Special Binding Head Screw 3 × 4.5	
16	01332006	4	Binding Head Screw 3 × 6	
17	04910816	4	Binding S Tight Screw 3 × 7	
18	05190616	8	Special Flat Head S Tight Screw 3 × 6	
19	05861000	4	Pan Head Tapping Screw 2.6 × 10	

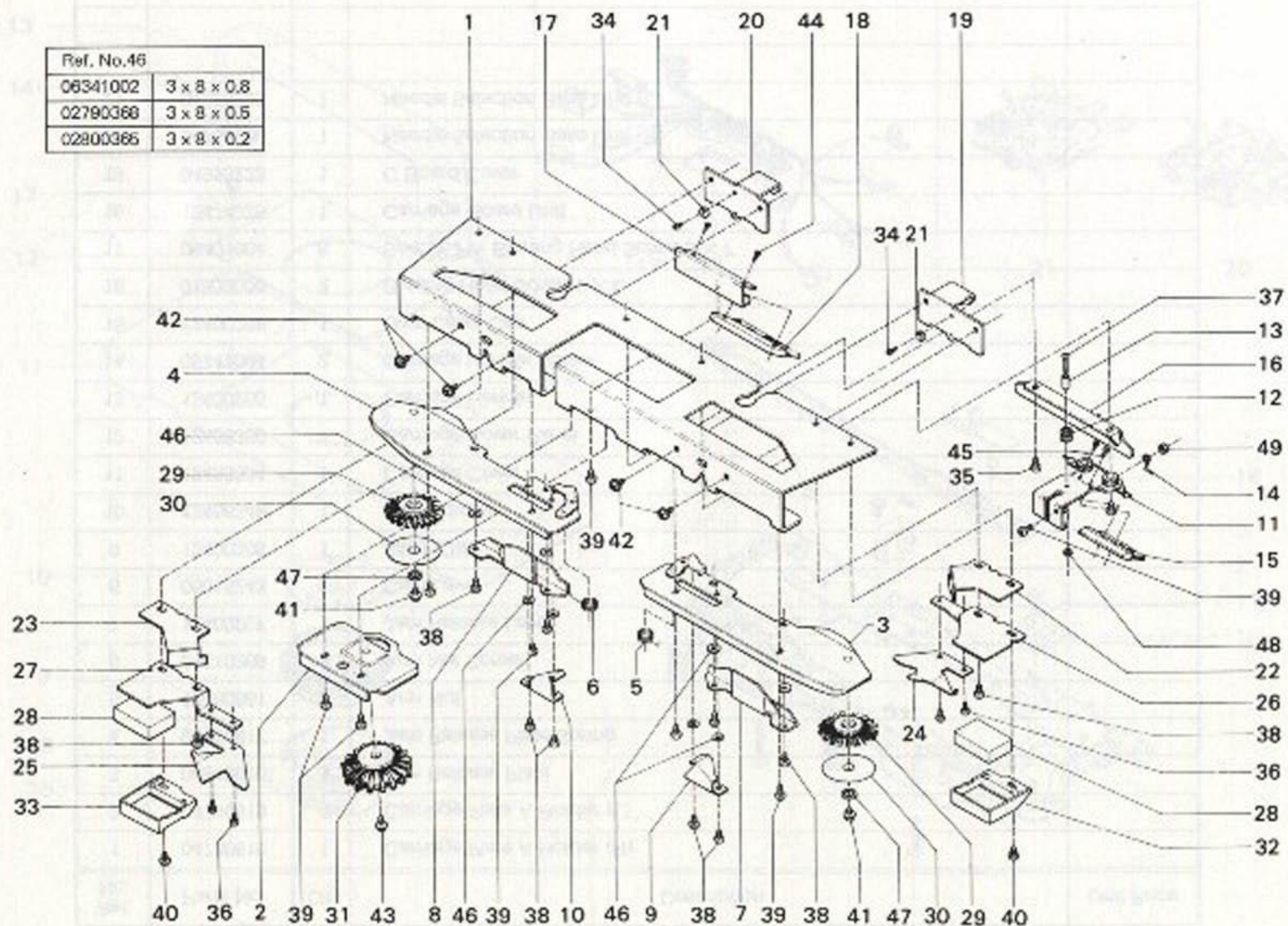
L CARRIAGE (GROUP C)



Ref. No.	Parts No.	Q'ty	Description	Unit Price
1	04730610	1	Carriage Plate A Holder (R)	
2	04740619	1	Carriage Plate A Holder (L)	
3	04810610	1	Jam Release Plate	
4	04410817	1	Jam Release Plate Spring	
5	12480661	2	Arm Nut	
6	01610369	2	Arm Nut Screw	
7	12400297	1	Jam Release Lever	
8	05015243	1	Cam Lever	
9	12400305	1	Stitch Dial	
10	12456349	1	Dial Indicator	
11	12456364	1	Carriage Cover	
12	12456356	1	Carriage Cover Panel	
13	12400255	1	Carriage Handle	
14	05741004	2	Carriage Handle Screw	
15	12400289	1	Cam Lever Cap	
16	01332006	2	Binding Head Screw 3 × 6	
17	06401004	6	Special PW Binding Head Screw 3 × 7	
18	12474375	1	Carriage Board Unit	
19	04955233	1	C Board Cover	
20	04365236	1	Needle Selection Base Unit (R)	
21	04375235	1	Needle Selection Base Unit (L)	

L CARRIAGE (LACE ARM GROUP)

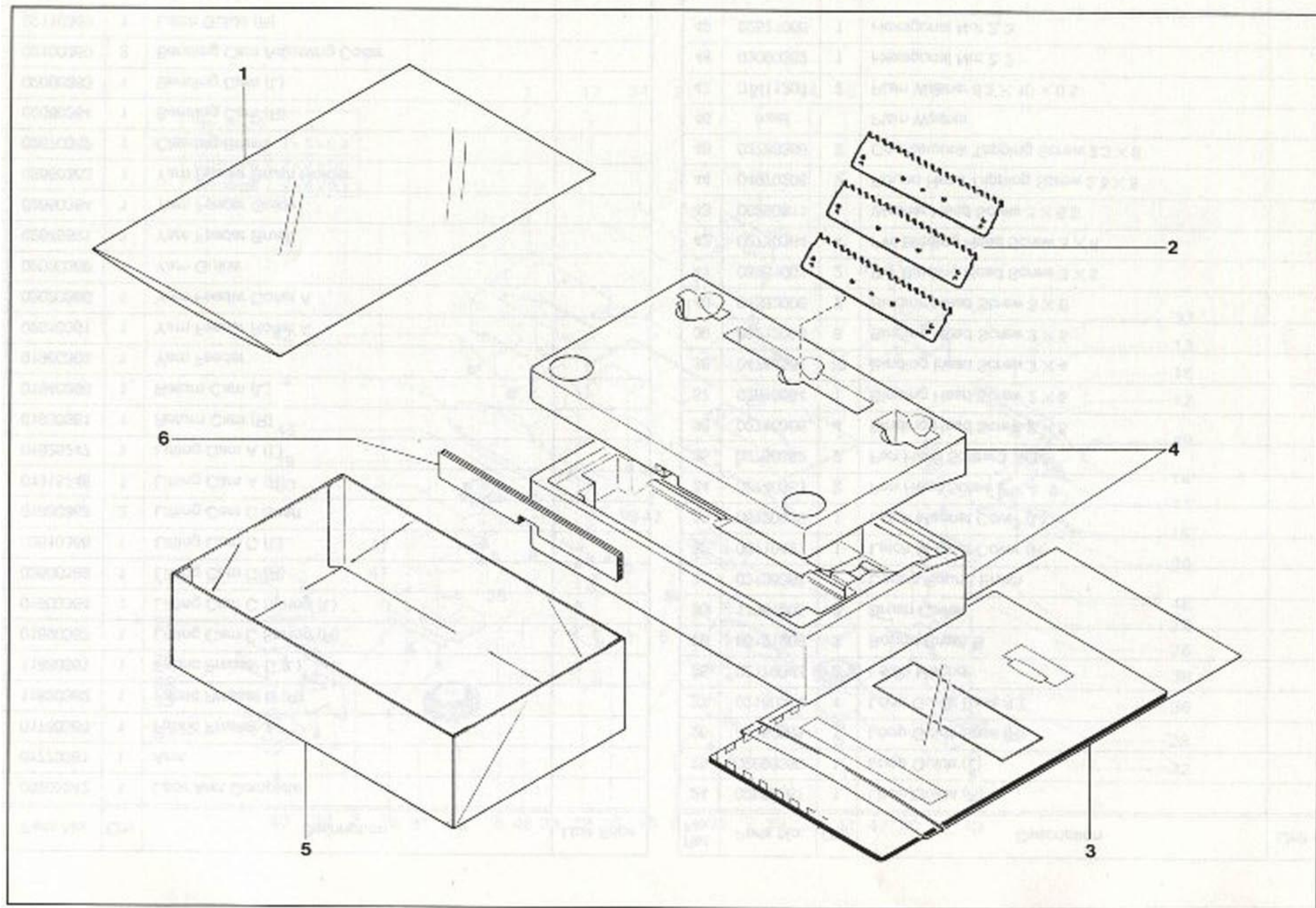
Ref. No.46	
06341002	3 x 8 x 0.8
02790360	3 x 8 x 0.5
02800365	3 x 8 x 0.2



Ref. No.	Parts No.	Qty	Description	Unit Price
0	06505242	1	Lace Arm Complete	
1	01770361	1	Arm	
2	01780360	1	Fabric Presser A	
3	11820362	1	Fabric Presser B (R)	
4	11830361	1	Fabric Presser B (L)	
5	01890367	1	Lifting Cam C Spring (R)	
6	01900364	1	Lifting Cam C Spring (L)	
/	02600369	1	Lifting Cam C (R)	
/	02610368	1	Lifting Cam C (L)	
/	01880368	2	Lifting Cam C Shaft	
7	01915248	1	Lifting Cam A (R)	
8	01925247	1	Lifting Cam A (L)	
9	01930361	1	Return Cam (R)	
10	01940360	1	Return Cam (L)	
11	01960368	1	Yarn Feeder	
12	02010361	1	Yarn Feeder Roller A	
13	02020360	1	Yarn Feeder Collar A	
14	02030369	1	Yarn Guide	
15	02645521	1	Yarn Feeder Brush	
16	02650364	1	Yarn Feeder Guide	
17	02660363	1	Yarn Feeder Brush Holder	
18	02670362	1	Clearing Brush	
19	02080364	1	Bending Cam (R)	
20	02090363	1	Bending Cam (L)	
21	02100360	2	Bending Cam Adjusting Collar	
22	02110369	1	Latch Guide (R)	
23	02120368	1	Latch Guide (L)	

Ref. No.	Parts No.	Qty	Description
24	02680361	1	Loop Guide (R)
25	02690360	1	Loop Guide (L)
26	02150365	1	Loop Guide Base (R)
27	02160364	1	Loop Guide Base (L)
28	02170363	2	Latch Magnet
29	06121206	2	Round Brush B
30	17361205	2	Brush Cover
31	03130366	1	Centre Round Brush
32	06110431	1	Latch Magnet Cover (R)
33	06120430	1	Latch Magnet Cover (L)
34	02740363	2	Pan Head Screw 2 x 4
35	02750362	2	Pan Head Screw 3 x 3.5
36	02710366	4	Binding Head Screw 2 x 3
37	02810364	1	Binding Head Screw 2 x 8
38	04782561	10	Binding Head Screw 3 x 4
39	05212006	8	Binding Head Screw 3 x 5
40	01332006	2	Binding Head Screw 3 x 6
41	03951001	2	PW Binding Head Screw 3 x 5
42	02730364	4	PW Binding Head Screw 3 x 6
43	06290811	1	Washer Head Screw 3 x 6.5
44	04970208	2	Round Head Tapping Screw 2.3 x 8
45	02780369	2	Countersunk Tapping Screw 2.3 x 8
46	inset		Plain Washer
47	07411200	2	Plain Washer 6.2 x 10 x 0.5
48	03090362	1	Hexagonal Nut 2, 2
49	02521060	1	Hexagonal Nut 2, 3

ACCESSORY FOR L CARRIAGE



Ref. No.	Parts No.	Q'ty	Description	Unit Price
1	07435506	1	Carriage Envelope	
2	07686884	3	Wide Claw Weight	
3	12456380	1	Lace Pattern Card Set (L No.1 ~ L No.5)	
4	07605249	1	Styrofoam Set	
5	12456372	1	Carton Box	
6	09035494	1	Inner Packing	