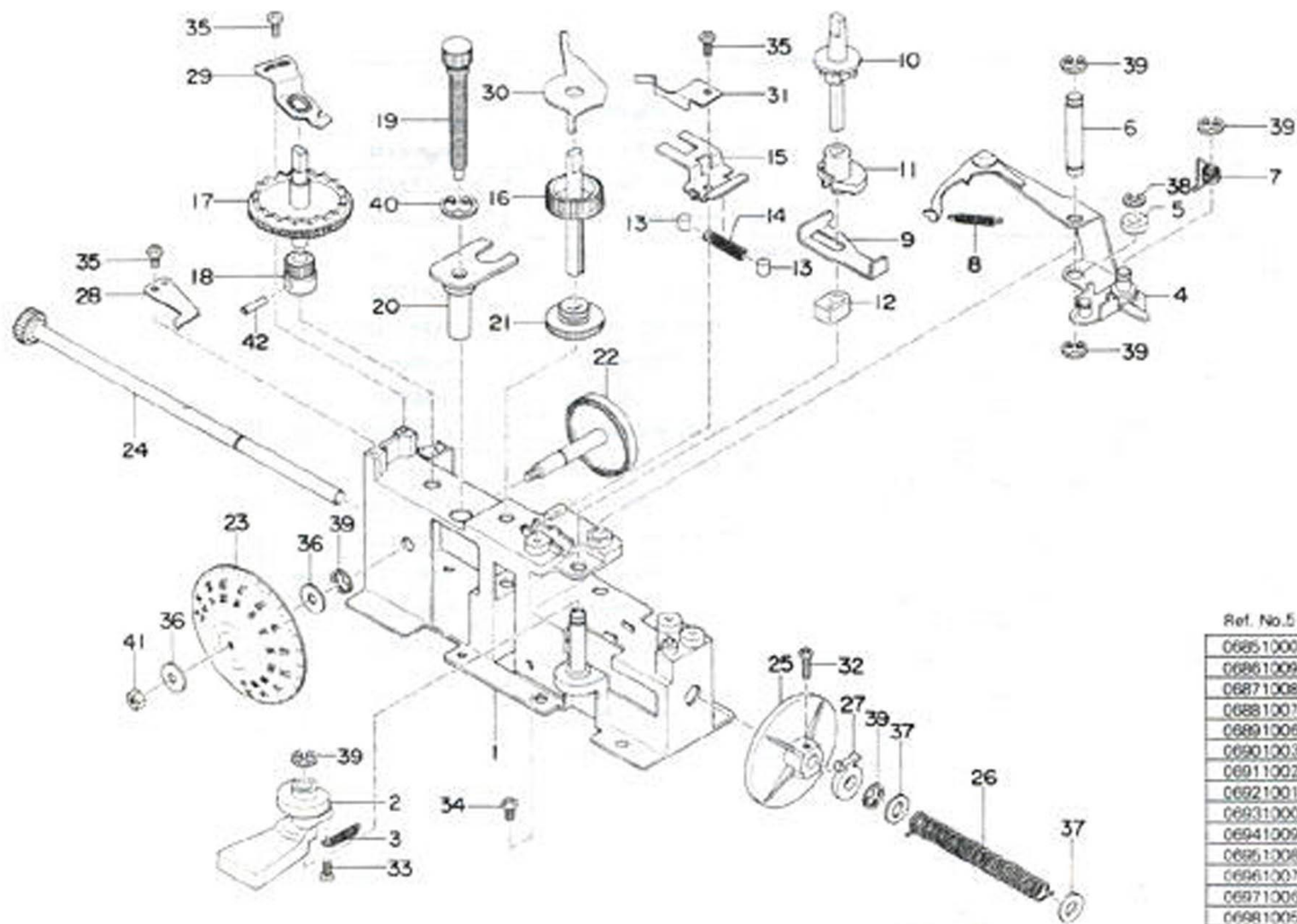


Ref. No.	Parts No.	Q'ty	Desc
1	01116821	1	KR Base
2	01126820	1	Pan Spring U
3	01136829	1	Roller Pan Unit
4	01156827	1	Roller Holder
5	01186824	1	Platen
6	08380412	2	Scale Holder
7	08290819	1	Frame (L)
8	01216829	1	Paper Lever
9	07792112	1	Paper Lever Spring
10	01226828	3	KR Bracer
11	01806827	1	KR Panel Unit (including No.12)
12	01266824	1	KR Window Panel
13	12550810	2	KR Dial
14	02460814	1	Change Dial
15	01086826	1	Select Lever Knob
16	08521205	2	Pan Head Screw 2.6 × 4
17	04930814	16	Binding Head STT Screw 3 × 5
18	01373109	5	Truss Head Screw 3 × 5
19	02372001	2	Plain Washer 3.2 × 10 × 1
20	04770814	1	Plain Washer 4.3 × 8 × 0.8
21	08662116	1	E Snap Ring 3
22	02221000	3	CS Snap Ring 3



Ref. No.5

06851000	7 φ
06861009	7.5φ
06871008	8 φ
06881007	8.5φ
06891006	9 φ
06901003	9.5φ
06911002	10 φ
06921001	10.5φ
06931000	11 φ
06941009	11.5φ
06951008	12 φ
06961007	12.5φ
06971006	13 φ
06981005	13.5φ
06991004	14 φ

Ref. No.	Parts No.	Qty	Description	Unit Price
○	01026822	1	Frame (R) Unit No.1 (No.1—42)	
1	06040826	1	Frame (R) Unit No.2	
2	01036821	1	Row Feeding Cam	
3	06070815	1	Row Feeding Cam Spring	
4	01046820	1	KR Feeding Lever	
5	See Inset	1	KR Feeding Lever Collar	
6	08130817	1	KR Feeding Lever Shaft	
7	08140816	1	KR Feeding Plate Spring	
8	08150815	1	KR Feeding Pawl Spring	
9	08500811	1	Slide Plate	
10	09010810	1	Change Cam A	
11	08160814	1	Change Cam B	
12	08170813	1	Clutch Cam	
13	07562119	2	Notch Roller 4 × 4	
14	08180812	1	Ratchet Stopper Spring	
15	01066828	1	Spring Holder	
16	08200818	1	KR Ratchet Wheel	
17	08460412	1	Set Wheel	
18	07461957	1	Pinion B	
19	08220816	1	Guide Screw	
20	18231209	1	Friction Wheel Guide	
21	07401953	1	Friction Wheel	
22	08230815	1	Crown Wheel	
23	0824041B	1	Row Scale	
24	08250813	1	Shaft for Friction Disc	

Ref. No.	Parts No.	Qty	Description
25	08391203	1	Friction Disc
26	08270811	1	Friction Disc Spring
27	08430811	1	Friction Disc Collar
28	08410813	1	KR Row Indicator
29	08310419	1	Wheel Spring
30	01076827	1	Select Lever
31	01096826	1	Select Lever Spring
32	08531204	1	Pan Head Screw 2.6 × 8
33	08961203	1	Binding Head Tapping Screw 2.2 × 5
34	04721007	3	Pan Head STT Screw 3 × 6
35	06701602	3	Binding Head STT Screw 2.5 × 6
36	02372001	2	Plain Washer 3.2 × 10 × 1
37	08440810	2	Plain Washer 5.3 × 10 × 1
38	08662116	1	E Snap Ring 3
39	08672115	5	E Snap Ring 4
40	08262115	1	E Snap Ring 6
41	02521090	1	Hexagonal Nut 2, 3
42	08100414	1	Pinion Pin
○	02286821	1	Instruction Book
○	02016822	1	Scale Set (Scale No H1—H15)
○	02026821	1	KR Pattern Paper Set (20 sheets)
○	02306827	1	KR Seal
○	02316826	1	KR Seal (EMPISAL-KNITMASTER)