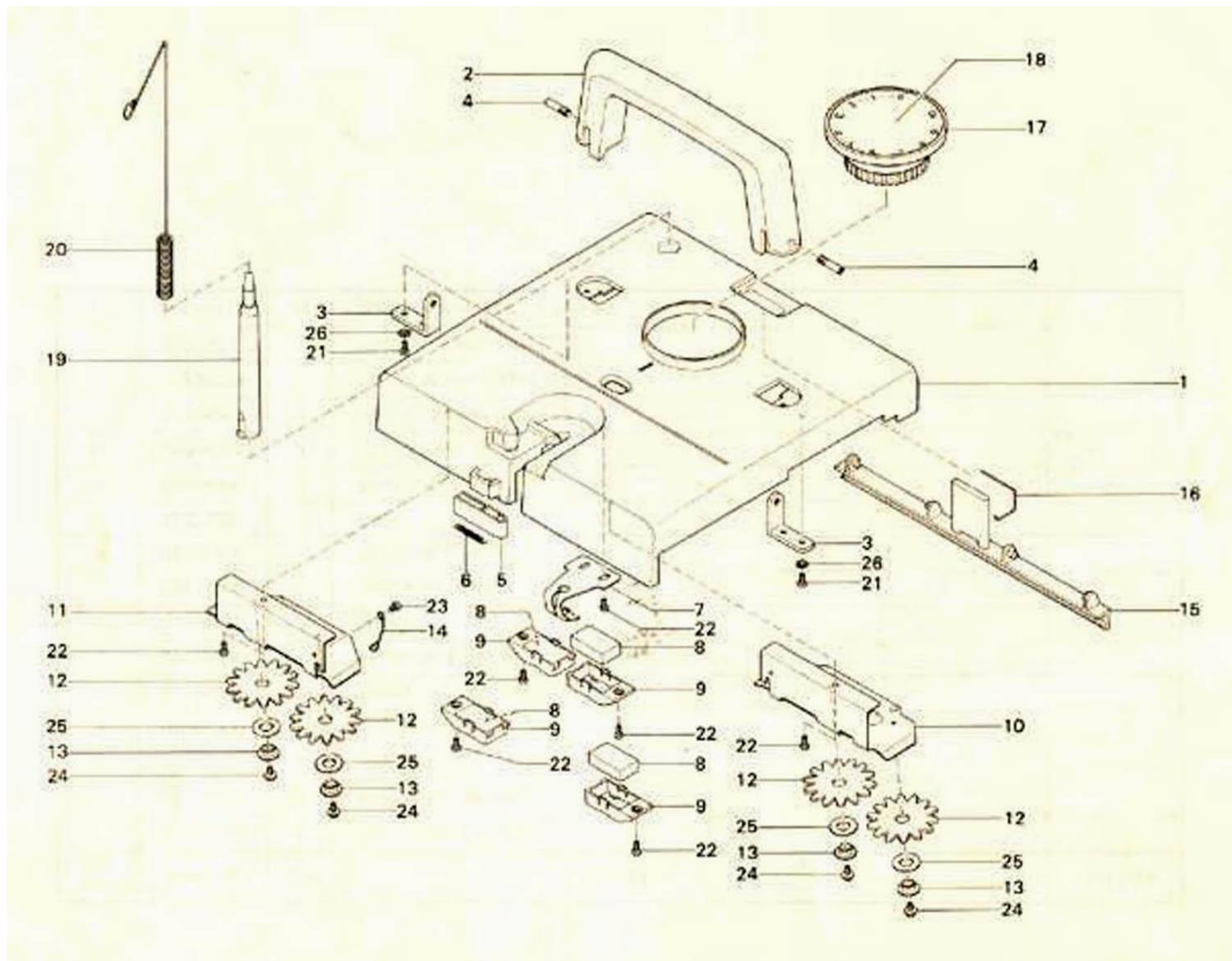
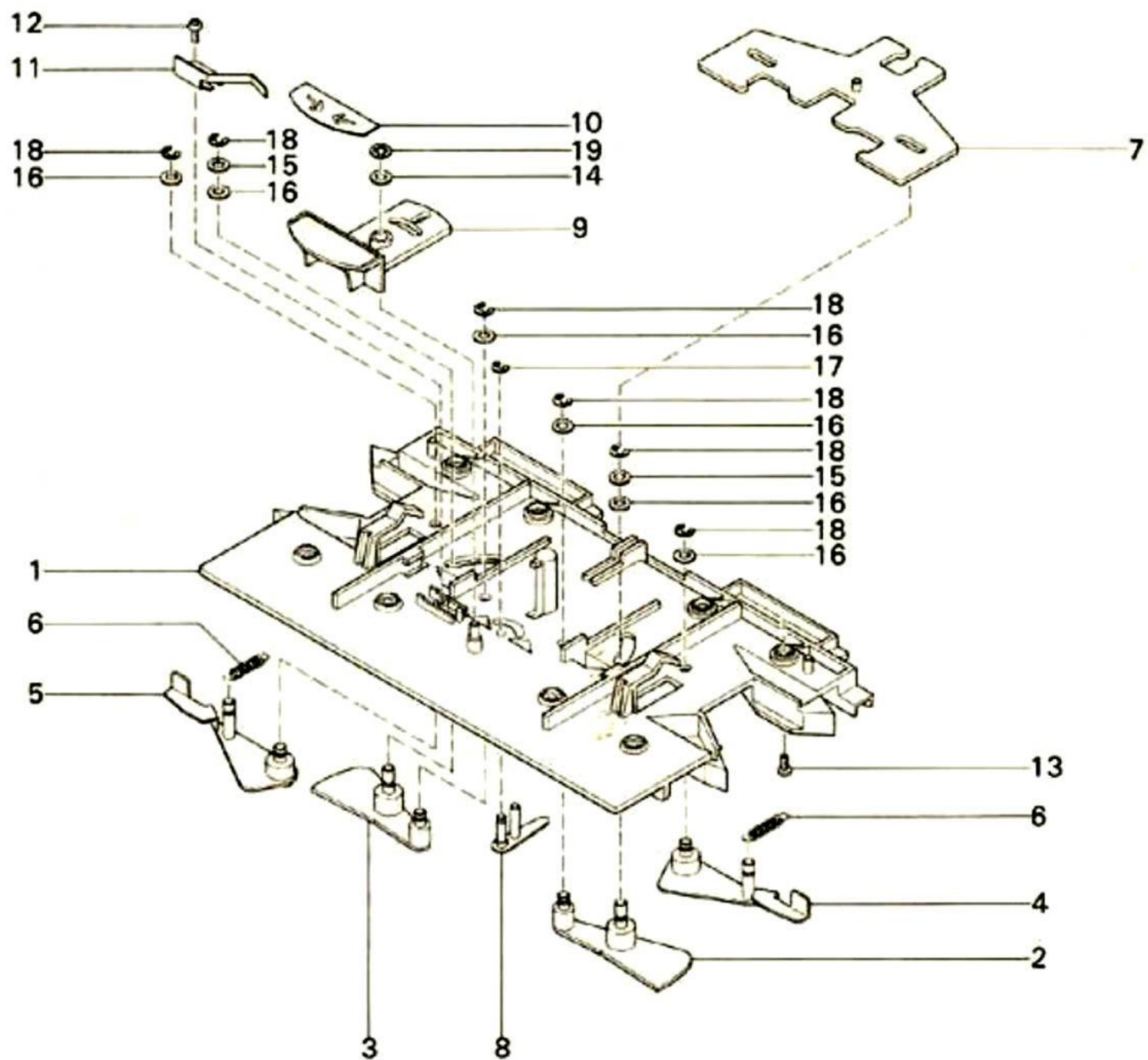


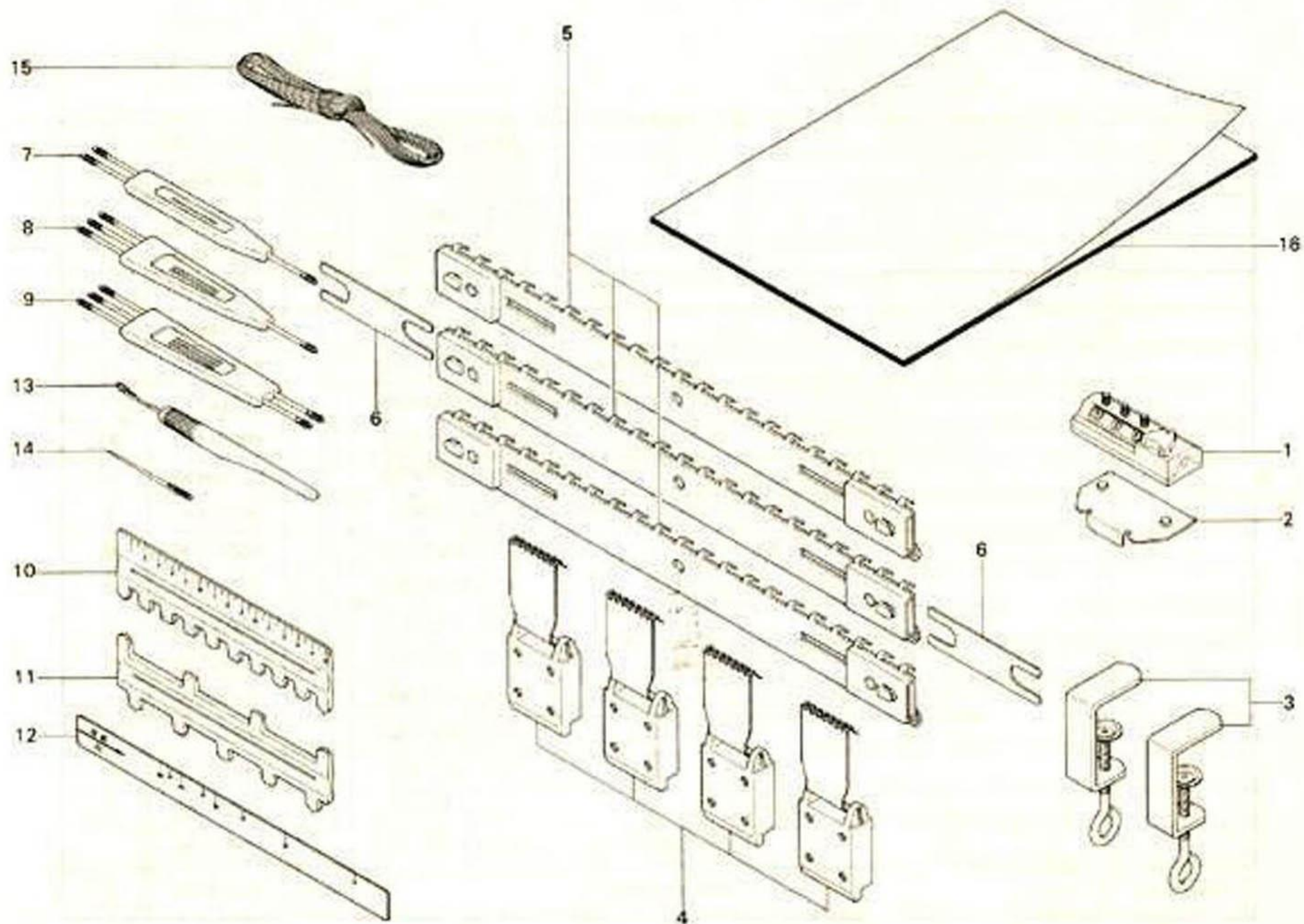
Ref. No.	Parts No.	Q'ty	Description
	01006204	1	Needle Bed Complete
1	01016203	8	Needle Bed Section
2	01036201	1	Side Plate (R)
3	01046200	1	Side Plate (L)
4	01116201	1	Needle Bed Seal (R)
5	01126200	1	Needle Bed Seal (L)
6	01056209	120	Needle
7	01136209	1	Needle Retainer
8	01066208	1	Reinforcing Plate
9	01076207	2	Bracer
10	01086206	2	Foot Rubber
11	01096205	3	KRC Socket
12	01106202	1	Needle Number Tape (R)
13	01226208	1	Needle Number Tape (L)
14	01206200	1	Machine Number Seal
15	01040419	64	Binding Head Tapping Screw 2, 3 x 8



Ref. No.	Parts No.	Q'ty	Description
	04006201	1	Carriage Complete
1	04026209	1	Carriage Cover
2	04036208	1	Carriage Handle
3	04066205	2	Carriage Handle Plate
4	06122006	2	Carriage Handle Screw
5	04076204	1	Yarn Brake
6	04086203	1	Yarn Brake Spring
7	04096202	1	Yarn Feeder
8	04620613	4	S Magnet
9	04106209	4	Magnet Cover
10	04126207	1	Fabric Presser (R) No.2
11	04176202	1	Fabric Presser (L) No.2
12	04146205	4	Rubber Gear
13	06156889	4	Rubber Gear Collar
14	04196200	1	Yarn Guide
15	04206207	1	Lock Lever
16	04216206	1	Lock Lever Spring
17	04456208	1	Stitch Dial
18	04466207	1	Stitch Dial Indicator
19	07306202	1	Tension Rod
20	07316201	1	Tension Spring
21	04860201	4	Binding Head Tapping Screw 2, 3 x 10
22	01040419	8	Binding Head Tapping Screw 2, 3 x 8
23	04782561	1	Binding Head Screw 3 x 4
24	08030611	4	Washer Head Screw 3 x 5
25	07756984	4	Plain Washer 8 x 16 x 1.2
26	06426944	4	Toothed Lock Washer 3



Ref. No.	Parts No.	Q'ty	Description
	04226205	1	Carriage Plate Unit (1-19, except 13)
1	04236204	1	Carriage Plate
2	04246203	1	Main Cam (R)
3	04286209	1	Main Cam (L)
4	04306205	1	Sub Cam (R)
5	04346201	1	Sub Cam (L)
6	04476206	2	Sub Cam Spring
7	04366209	1	Travelling Plate
8	04396206	1	Swing Cam
9	04436200	1	Direction Indicator Base
10	04446209	1	Direction Indicator
11	04176004	1	Dial Spring
12	01273507	1	Binding Head Tapping Screw 2, 3 x 6
13	01040419	8	Binding Head Tapping Screw 2, 3 x 8
14	06341002	1	Plain Washer 3 x 8 x 0.8
15	04770814	2	Plain Washer 4.3 x 8 x 0.8
16	05902150	conditional	Plain Washer 4.2 x 8 x 0.1
17	03910619	1	E Snap Ring 2
18	08662116	6	E Snap Ring 3
19	02221000	1	CS Snap Ring 3



Ref. No.	Parts No.	Q'ty	
1	07302003	1	Row Counter
2	07026206	1	RC Bracket
3	07321202	2	Clamp
4	07422009	4	Claw Weight
5	07336209	3	Cast-on Comb
6	07326200	2	Cast-on Comb Joiner
7	07366206	1	Transfer Tool 1–2
8	07376205	1	Transfer Tool 1–3
9	07386204	1	Transfer Tool 2–3
10	07396203	1	Needle Pusher (0–1/1)
11	07406200	1	Needle Pusher (1/3–1/5)
12	07266885	1	Gauge Scale C
13	07196884	1	Tappet Tool
14	07246887	1	Tapestry Needle
15	07335268	1	Separation Thread
16	07296205	1	Instruction Book