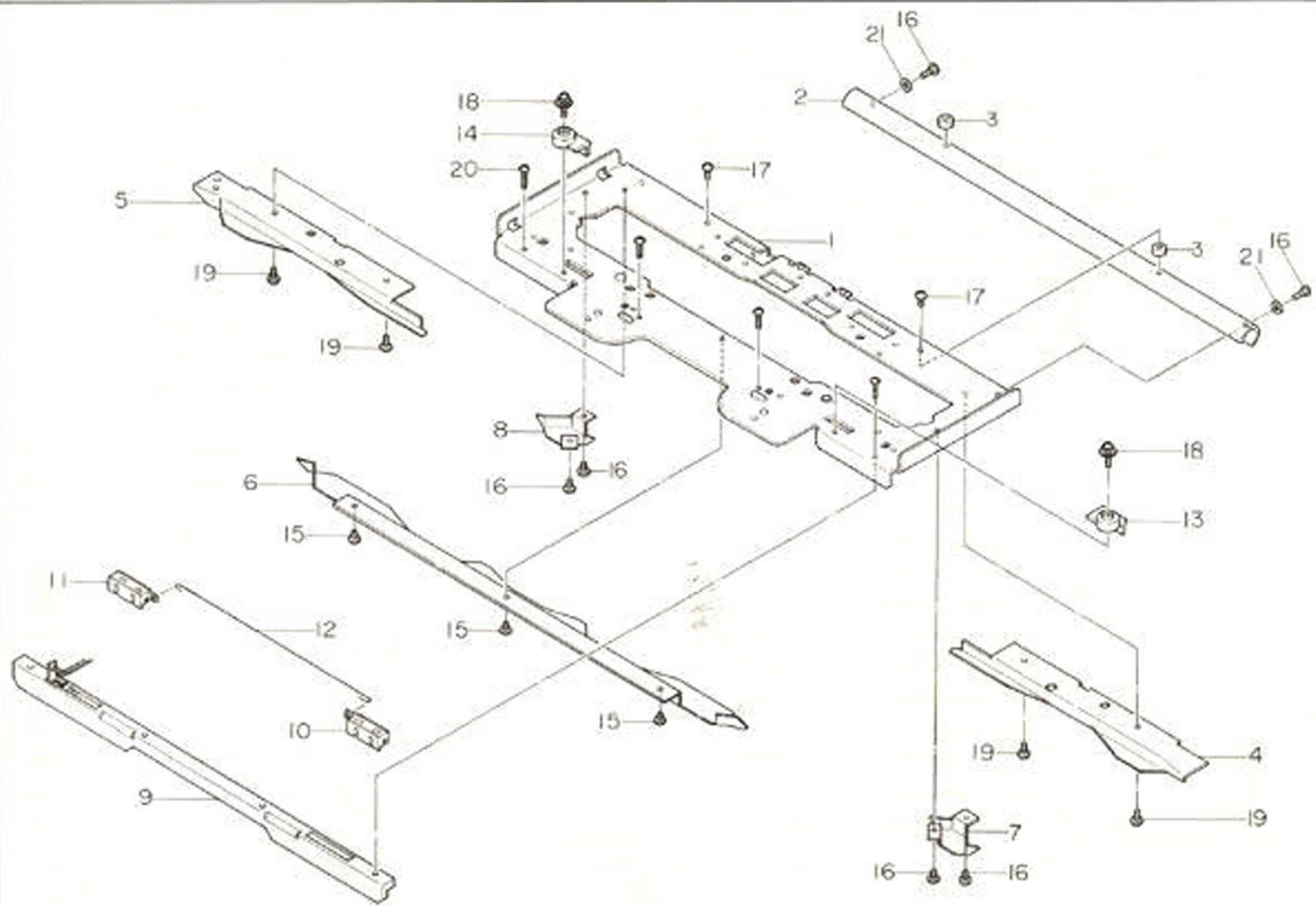
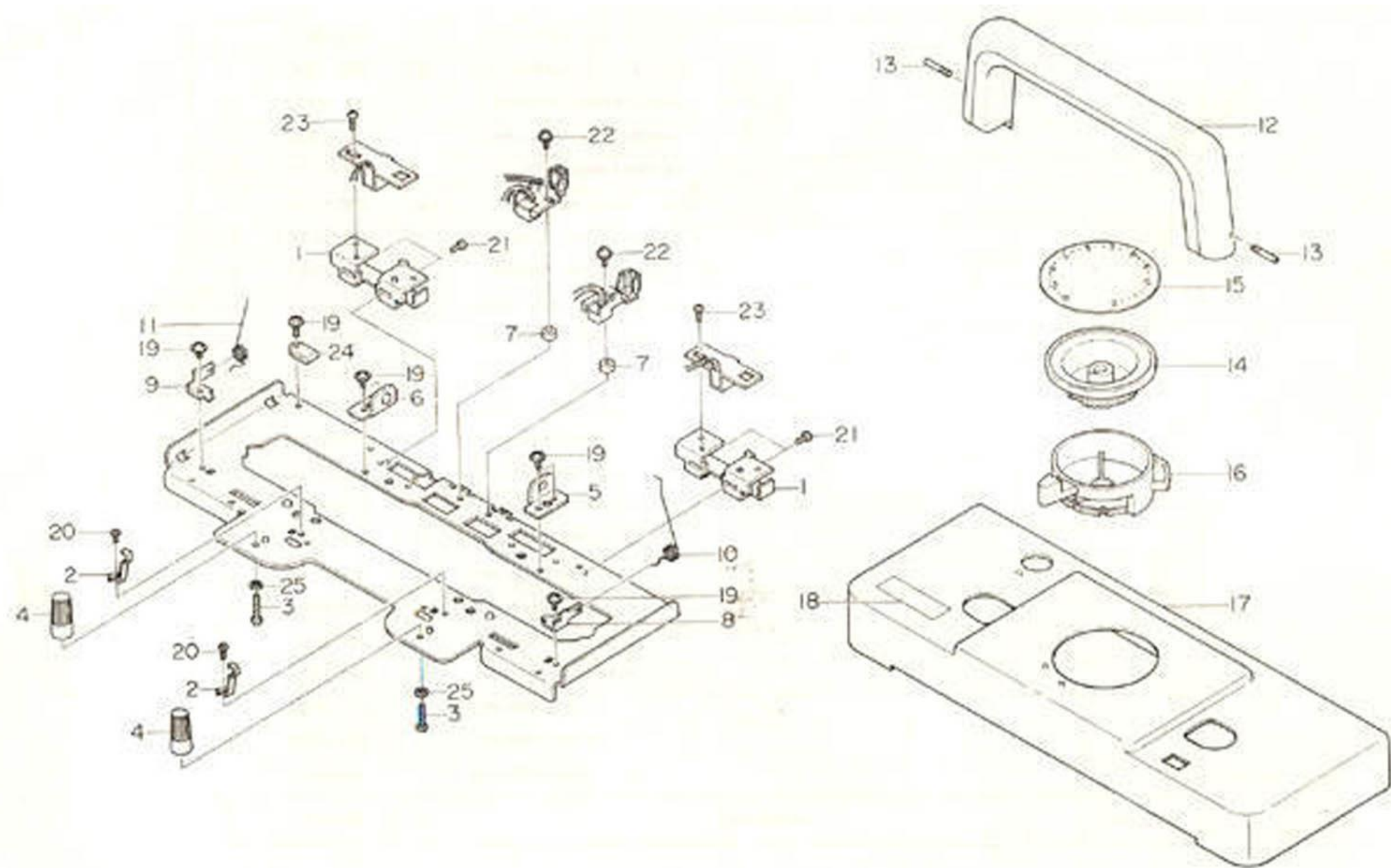


Ref. No.	Parts No.	Q'ty	Description	Unit Price
○	12492476	1	Carriage Unit (A — C)	
○	12490959	1	Carriage Plate A Unit No.1 (No.1 ~ 36, 38 ~ 53)	
1	12490967	1	Carriage Plate A Unit No.2	
2	12490991	1	Plate A Bracket Unit	
3	12491023	1	Moving Plate	
4	12491049	1	Travelling Plate	
5	12491064	1	Sub Lever (R)	
6	12491072	1	Sub Lever (L)	
7	12491114	2	Sub Lever Spring	
8	12491122	2	Sub Cam B Spring	
9	04671004	1	Dial Spring	
10	04616819	1	Jam Release Plate	
11	04410817	1	Jam Release Spring	
12	12491130	1	Handle Holder (R)	
13	12491148	1	Handle Holder (L)	
14	04730818	2	Handle Holder Spring	
15	12491155	2	C Board Collar	
16	12491163	1	Main Cam Unit (R)	
17	12491171	1	Main Cam Unit (L)	
18	04471009	2	Main Cam Nut	
19	12491254	1	Sub Cam A Spring (R)	
20	12491262	1	Sub Cam A Spring (L)	
21	12491270	1	Separation Cam A (R)	
22	12491288	1	Separation Cam A (L)	
23	12491296	1	Needle Selecting Cam (R)	
24	12491304	1	Needle Selecting Cam (L)	
25	12491312	1	Needle Selection Guide Cam B	
26	12491320	1	Needle Selection Guide Plate	

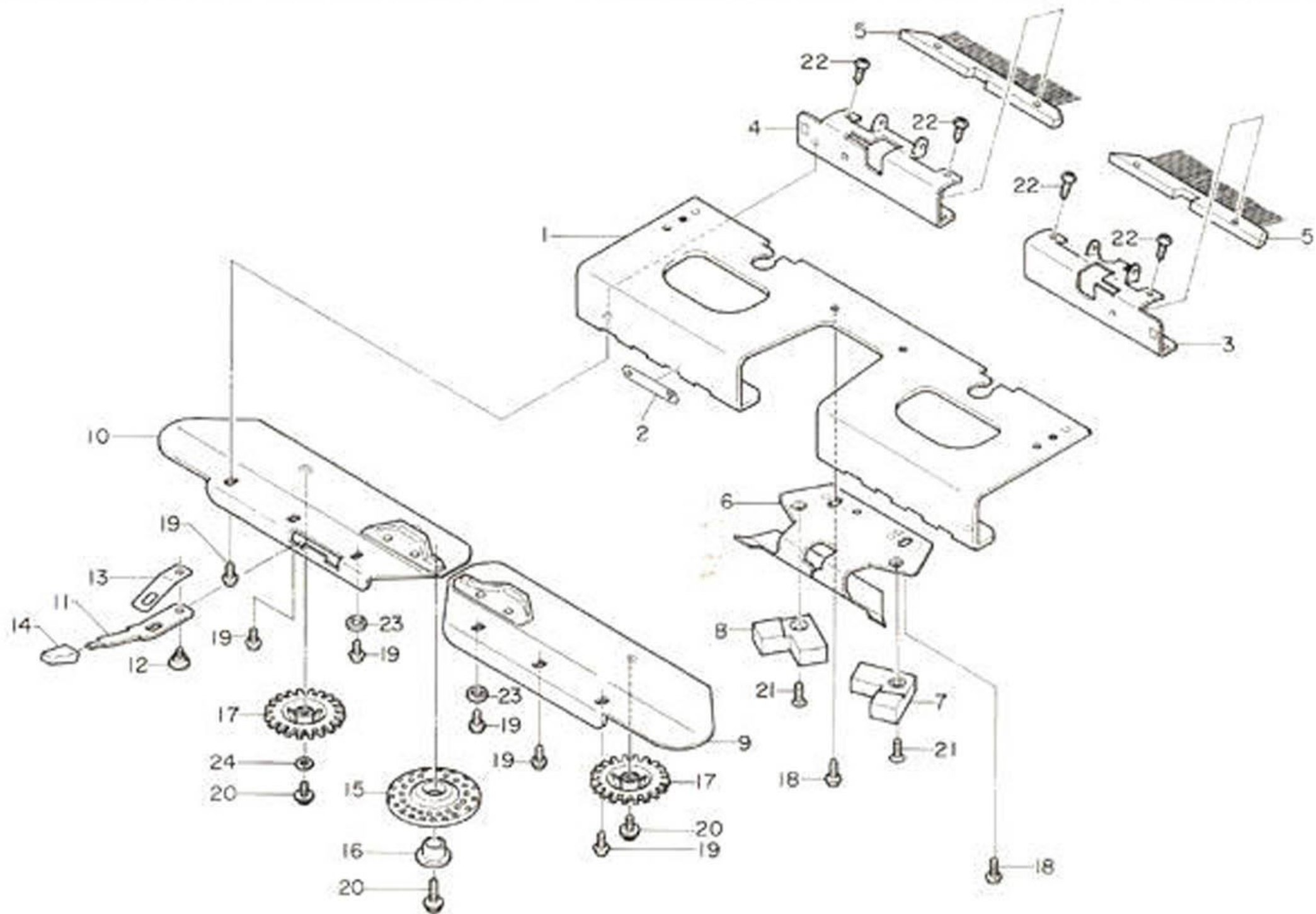
Ref. No.	Parts No.	Q'ty	Description
27	12491338	1	Needle Selection Guide Cam A (R)
28	12491346	1	Needle Selection Guide Cam A (L)
29	04630612	2	S Solenoid
30	04600615	1	S Magnet Plate (R)
31	04610614	1	S Magnet Plate (L)
32	04620613	2	S Magnet
33	04640611	1	S Magnet Case (R)
34	05160619	1	S Magnet Case (L)
35	12473252	4	S Magnet Case Base
36	12491379	1	Center Cam Bracket Unit
37	12491601	1	Jam Release Lever
38	06826986	2	+ Collar Head Screw 3 × 8
39	02521060	2	Hexagonal Nut 2, 3
40	04740205	2	+ Binding Head Screw 3 × 3
41	05212006	6	+ Binding Head Screw 3 × 5
42	02780369	2	+ Flat Head Tapping Screw 2.3 × 8
43	04782561	8	+ Binding Head Screw 3 × 4
44	08030611	4	+ Collar Head Screw 3 × 5
45	02221208	2	+ Binding Head Screw 3 × 12
46	01332006	2	+ Binding Head Screw 3 × 6
47	06181002	2	+ Binding Head Screw 3 × 4.5
48	05220611	2	+ Binding Head Screw 3 × 8
49	04930814	2	+ Binding Head STT Screw 3 × 5
50	12492161	2	+ Binding Head Screw 2.6 × 12
51	04406948	2	Plain Washer 4 × 10 × 0.05
52	08662116	2	E Snap Ring φ3
53	06811005	2	E Snap Ring φ2.5



Ref. No.	Parts No.	Q'ty	Description
◎	12491411	1	Carriage Plate B Unit
1	12491429	1	Carriage Plate B
2	12491437	1	Carriage Pipe
3	12491445	2	Carriage Pipe Washer
4	12491452	1	Guide Plate (R)
5	12491460	1	Guide Plate (L)
6	12491478	1	Needle Guide
7	12491486	1	Separation Cam B (R)
8	12491494	1	Separation Cam B (L)
9	04285243	1	Carriage Slider Unit
10	04320610	1	Slider Magnet (R)
11	04330619	1	Slider Magnet (L)
12	04350617	1	Slider Hanger
13	12472882	1	Russel Lever Base (R)
14	12472890	1	Russel Lever Base (L)
15	03036886	3	+ Binding Head Screw 3 × 3.5
16	04782561	6	+ Binding Head Screw 3 × 4
17	02750362	2	+ Collar Head Screw 3 × 5.5
18	12479390	2	+ Spring Washer Head Screw 3 × 10
19	05676812	4	+ Separation Cam Screw
20	05861000	4	+ Pan Head Tapping Screw 2, 2.6 × 10
21	04916888	conditional	Plain Washer 3.1 × 6 × 0.2
21	07996986	conditional	Plain Washer 3.1 × 6 × 0.1



Ref. No.	Parts No.	Q'ty	Description
1	12473039	2	CCP Base
2	05126818	2	Jam Release Plate Lock
3	01610369	2	Arm Nut Screw 5 × 20
4	12488359	2	Arm Nut
5	04730610	1	Carriage Plate A Holder (R)
6	04740619	1	Carriage Plate A Holder (L)
7	12491502	2	KSL Holder Collar
8	04130613	1	Jam Release Spring Holder (R)
9	04140612	1	Jam Release Spring Holder (L)
10	12491536	1	Raising Spring (R)
11	12491544	1	Raising Spring (L)
12	12451142	1	Carriage Handle
13	05741004	2	Carriage Handle Screw
14	12491551	1	Stitch Dial
15	12491510	1	Dial Indicator
16	12493060	1	Cam Lever
17	12492492	1	Carriage Cover
18	12491593	1	Carriage Seal
19	08030611	7	+ Collar Head Screw 3 × 5
20	03036886	2	+ Binding Head Screw 3 × 3.5
21	02750362	4	+ Pan Head Screw 3 × 3.5
22	06826986	2	+ Collar Head Screw 3 × 8
23	06452007	2	Spec. ± Truss Head Screw 3 × 6
24	12492070	1	Nylon Clamp
25	05552153	2	Spring Washer 2, 5



Ref. No.	Parts No.	Q'ty	Description
◎	12491619	1	Arm Unit (No.1 ~ 23)
1	12492377	1	Arm
2	12492237	1	Arm Seal
3	06110415	1	Brush Holder (R)
4	06120414	1	Brush Holder (L)
5	06260814	2	Clearing Brush
6	12491643	1	Yarn Feeder
7	06265268	1	Arm Magnet (R)
8	06275267	1	Arm Magnet (L)
9	12491668	1	Fabric Presser No.2 (R)
10	12491692	1	Fabric Presser No.2 (L)
11	12491775	1	Fabric Presser Lever
12	12491783	1	Fabric Presser Lever Screw
13	12491791	1	Fabric Presser Lever Spring
14	12480919	1	Side Knob
15	06256812	1	Rubber Disc
16	06156889	1	Rubber Disc Collar
17	06251201	2	Fabric Gear
18	03036886	2	+ Binding Head Screw 3 × 3.5
19	01332006	6	+ Binding Head Screw 3 × 6
20	06826986	3	+ Collar Head Screw 3 × 8
21	06830491	2	+ Flat Head Countersunk Screw 3 × 8.5
22	06096002	4	+ Round Head Tapping Screw 2, 2.3 × 6
23	04406948	2	Plain Washer 4 × 10 × 0.5
24	05952155	1	Plain Washer 6.2 × 10 × 0.2

