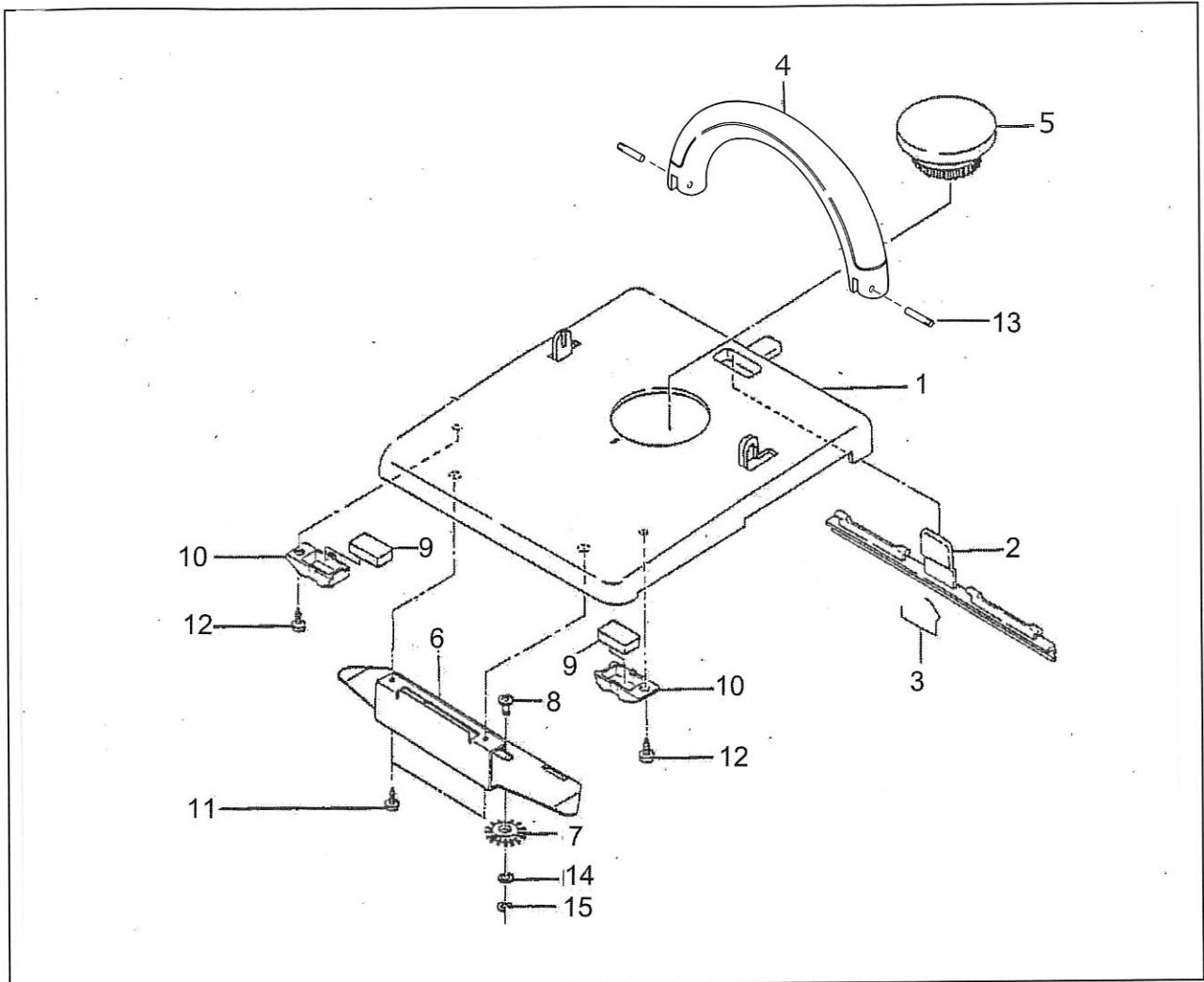


# INTARSIA CARRIAGE MODEL AG11

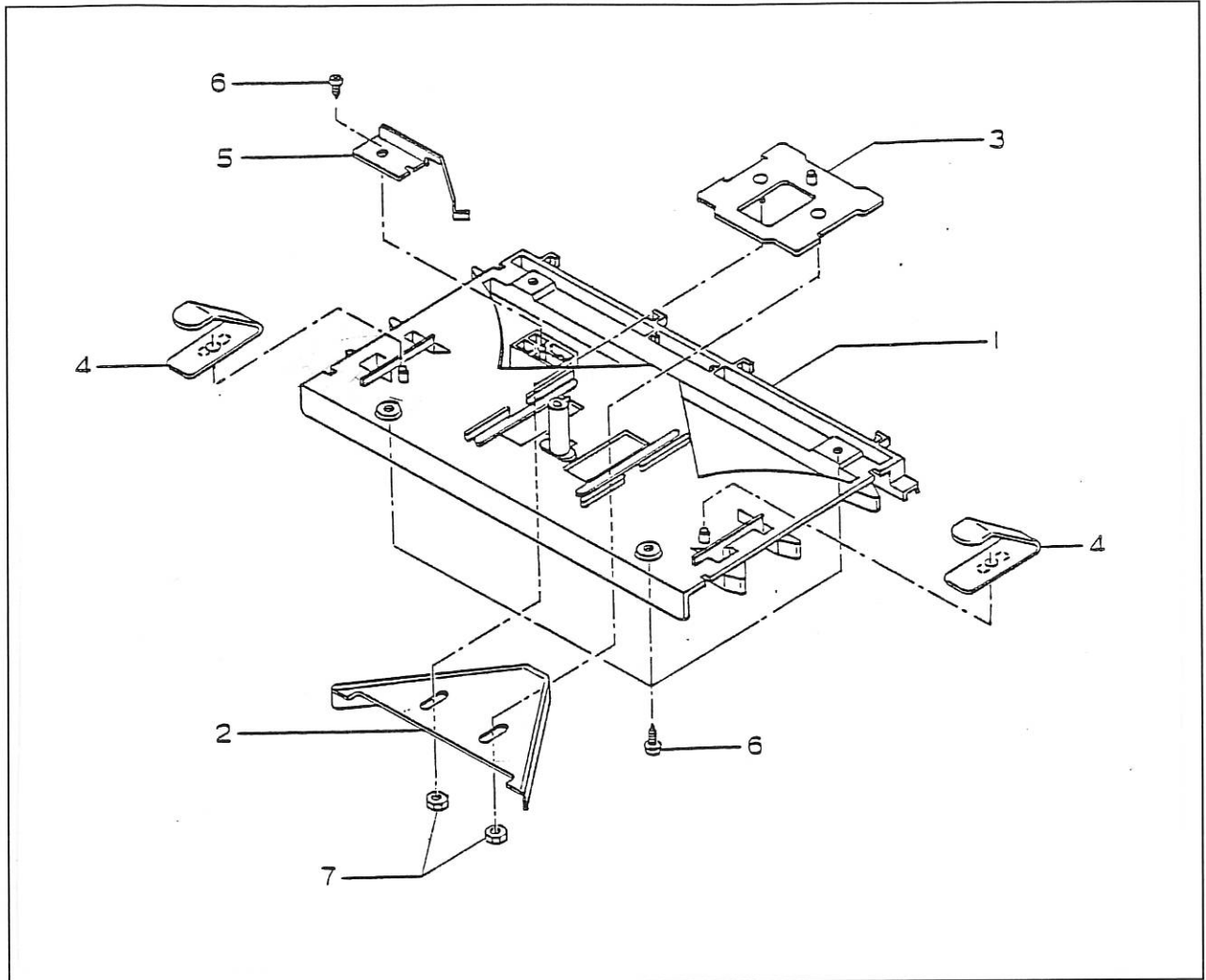
## CARRIAGE GROUP (A)



Ref. No.	Parts No.	Q'ty	Description	
1	40662371	1	Carriage Cover	
2	12460192	1	Lock Lever	
3	06276828	1	Lock Lever Spring	
4	12460069	1	Carriage Handle	
5	12437786	1	Stitch Dial	
6	12437661	1	Fabric Presser	
7	12417614	1	Round Brush P	
8	06106777	1	Fabric Gear Pin	
9	04620613	2	S Magnet	
10	12460242	2	Magnet Cover	
11	01273507	2	Binding Head Tapping Screw 2, 3 x 6	
12	01040419	2	Binding Head Tapping Screw 2, 3 x 8	
13	12417036	2	Carriage Handle Pin G4 x 14	
14	07411200	1	Plain Washer 6.2 x 10 x 0.5	
15	48813000	1	E Snap Ring 5	
○	81202004	condi- tional	Plain Washer 4 x 8 x 0.4	
○	04771002	condi- tional	Plain Washer 4 x 8 x 0.5	
○	06125314	condi- tional	Plain Washer 4 x 8 x 0.6	

# INTARSIA CARRIAGE MODEL AG11

## CARRIAGE GROUP (B)



Ref. No.	Parts No.	Q'ty	Description	
1	12437570	1	Carriage Plate	
2	12437588	1	Main Cam	
3	12437711	1	Travelling Plate	
4	06636823	2	Handle Spring	
5	12437703	1	Dial Spring	
6	01040419	5	Binding Head Tapping Screw 2, 3 x 8	
7	01626001	2	Hexagonal Nut 2, 4	
○	40662363	1	Instruction Book	
○	40662413	1	Inner Carton	