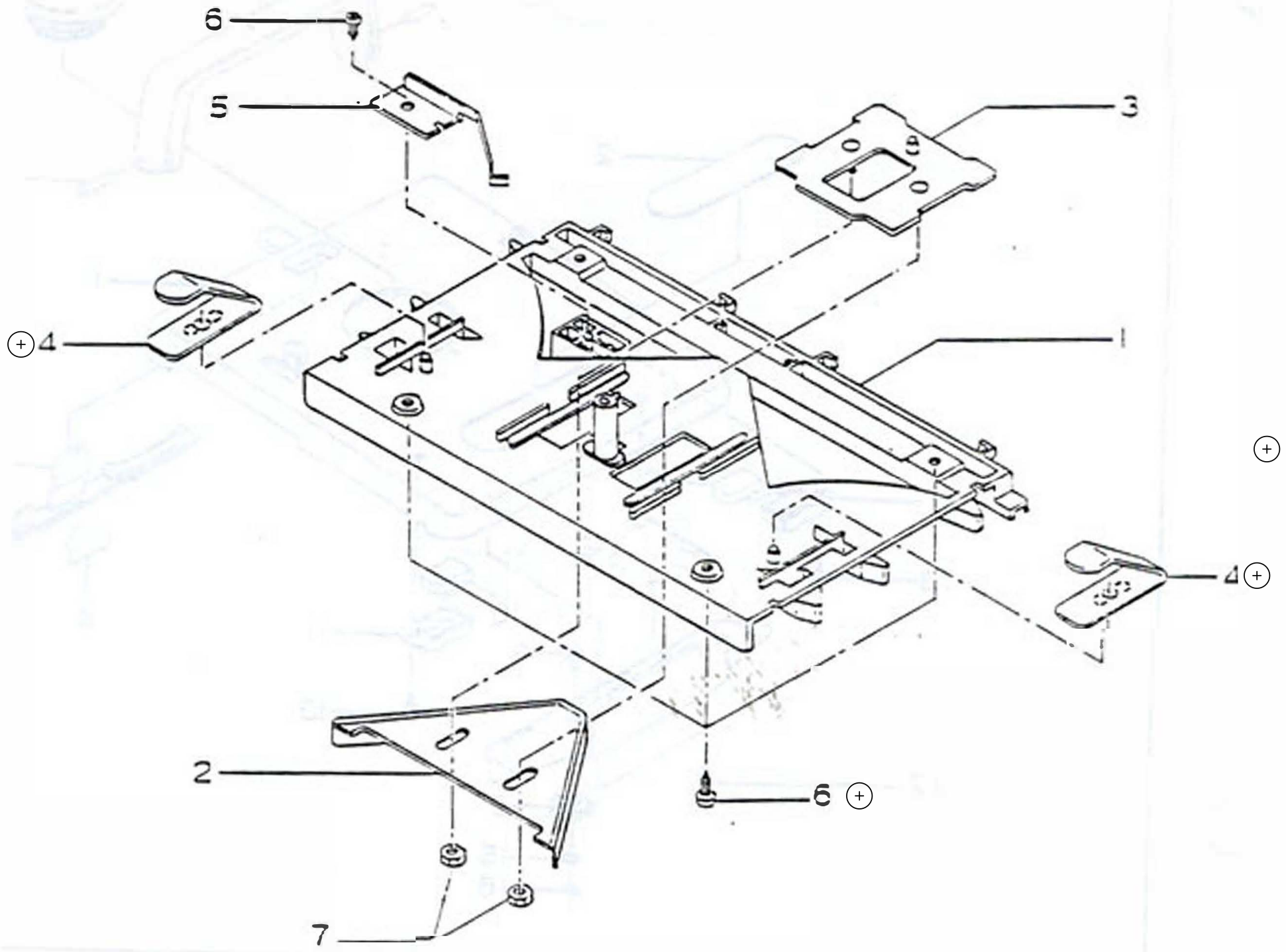


Ref. No.	Parts No.	Q'ty	Description
1	12437604	1	Carriage Cover
2	12437778	1	Name Plate
3	07416829	1	Lock Lever
4	06276828	1	Lock Lever Spring
5	06416820	1	Carriage Handle
6	12437786	1	Stitch Dial
7	12437653	1	Fabric Presser
8	12417614	1	Round Brush P
9	06106777	1	Fabric Gear Pin
10	04620613	2	S Magnet
11	04106209	2	Magnet Cover
12	01273507	2	Binding Head Tapping Screw 2, 3x6
13	01040419	2	Binding Head Tapping Screw 2, 3x8
14	06556823	2	Carriage Handle Pin G 4x20
15	07411200	1	Plain Washer 6.2x10x0.5
16	01675214	1	E Snap Ring 5
⊕	05902150	Condi- tional	Plain Washer 4x8x0.1
⊕	05912159	"	Plain Washer 4x8x0.2
○	05922158	"	Plain Washer 4x8x0.3
○	81202004	"	Plain Washer 4x8x0.4
⊕	04771002	"	Plain Washer 4x8x0.5
○	06125314	"	Plain Washer 4x8x0.6



Ref. No.	Parts No.	Q' ty	Description
1	12437570	1	Carriage Plate
2	12437588	1	Main Cam
3	12437711	1	Travelling Plate
4	06636823	2	Handle Spring
5	12437703	1	Dial Spring
6	01040419	5	Binding Head Tapping Screw 2, 3x8
7	04940201	2	Hexagonal Nut 2, M4
0	12437794	1	Instruction Book