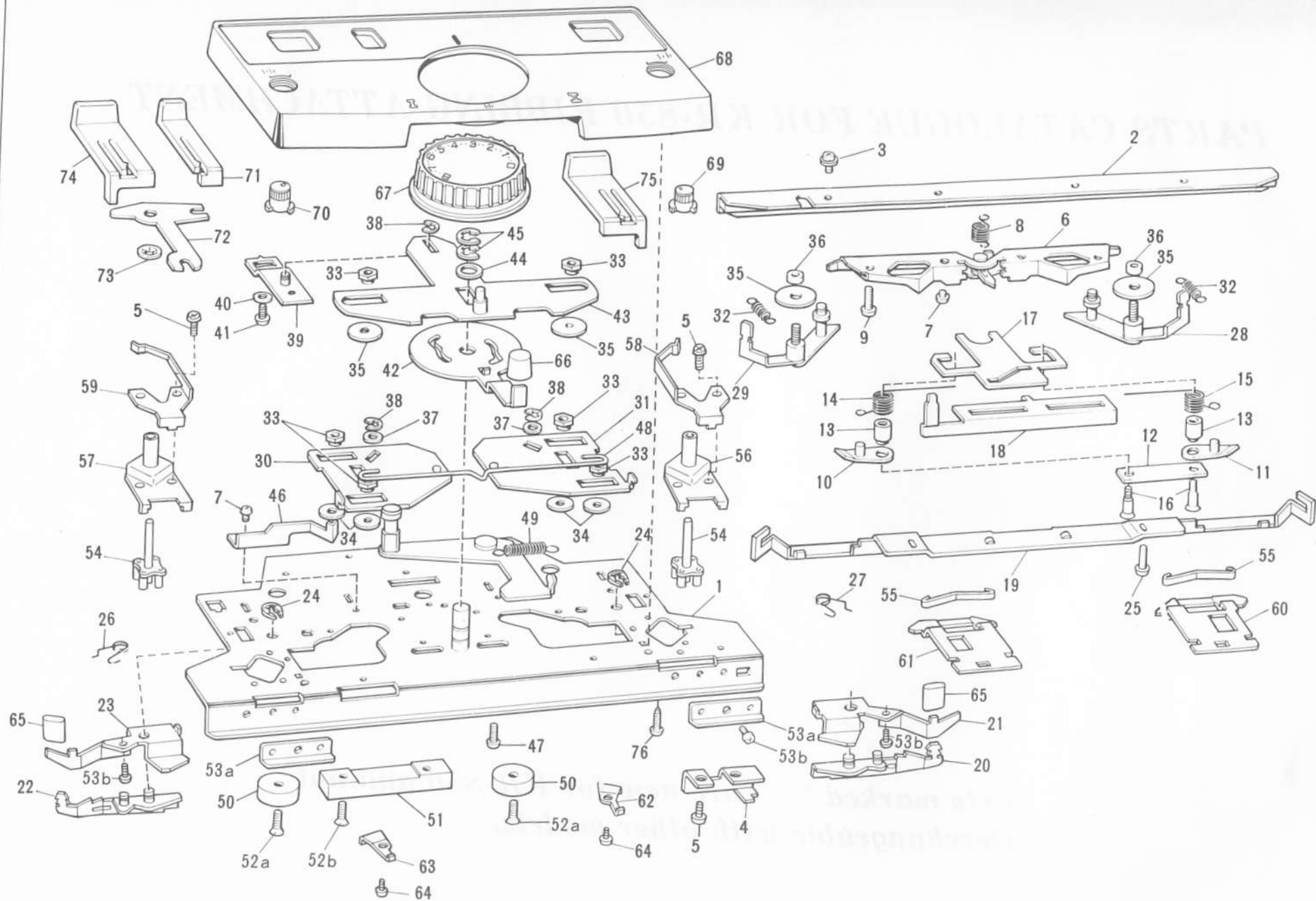


***PARTS CATALOGUE FOR KR-850 RIBBING ATTACHMENT***

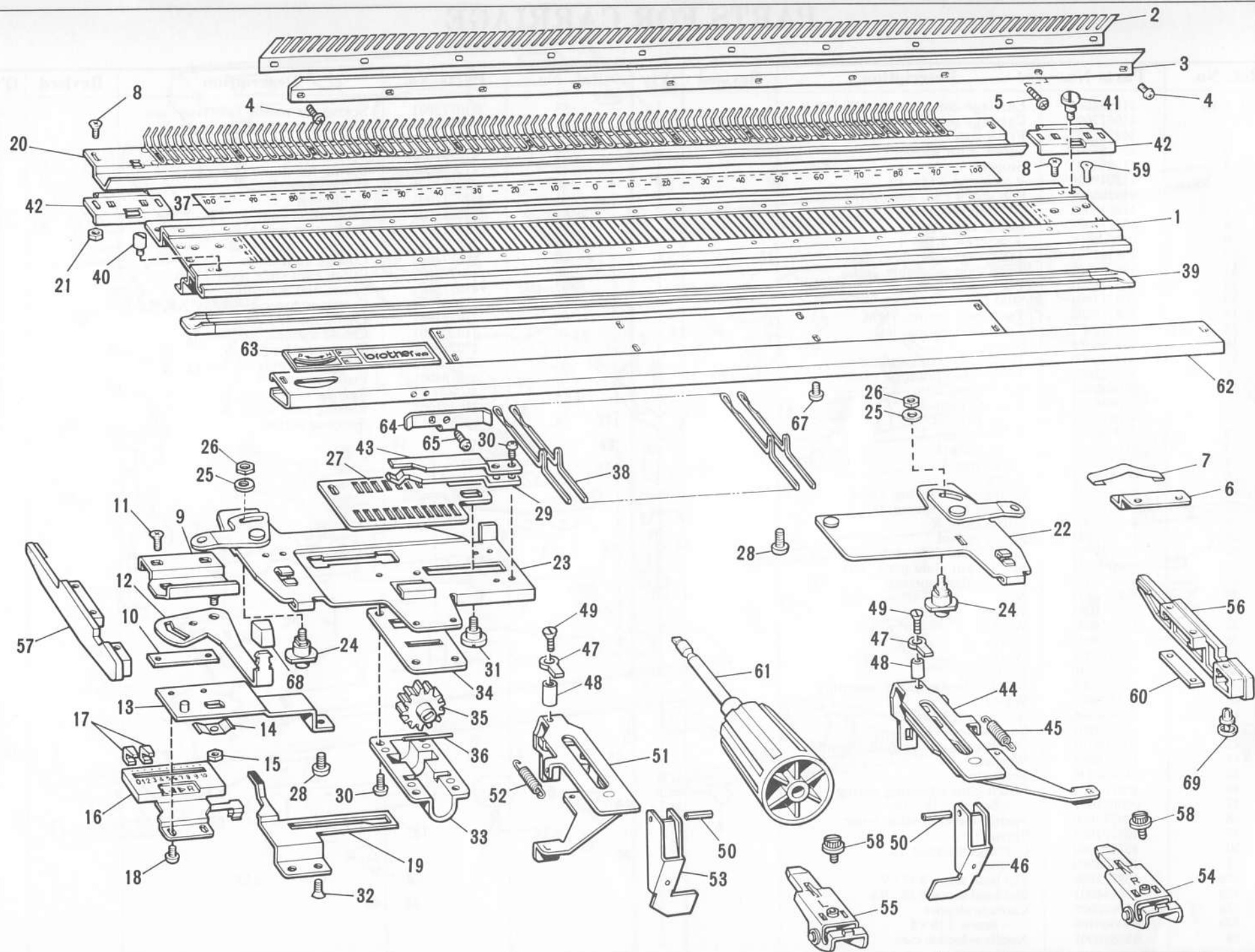
*Parts marked "○" are new for KR-850 and not interchangeable with other models.*



PARTS FOR CARRIAGE Fig: A

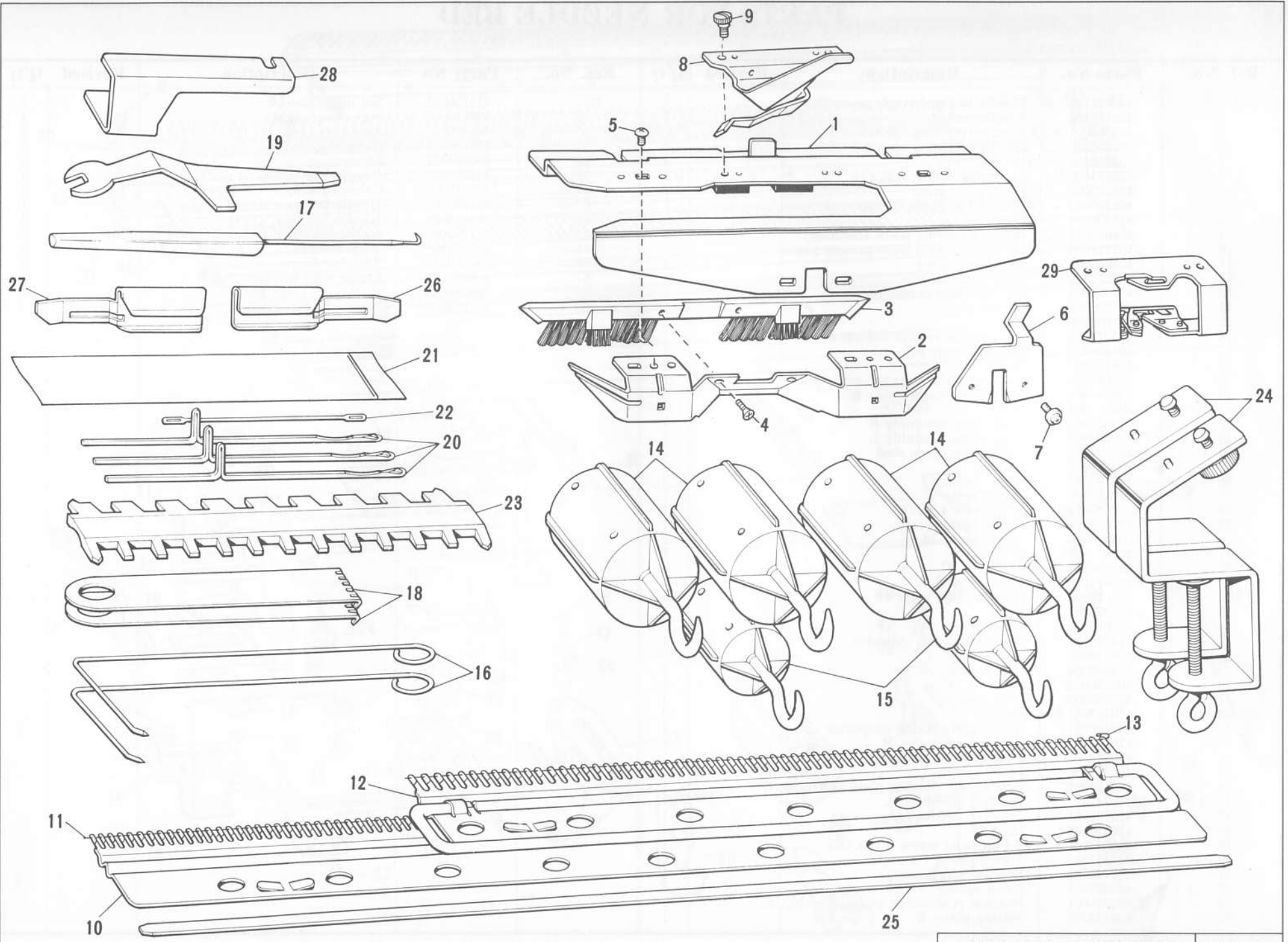
# PARTS FOR CARRIAGE

Ref. No.	Parts No.	Description	Revised	Q'ty	Ref. No.	Parts No.	Description	Revised	Q'ty
○ A 1-78	411984001	Carriage complete set KR-850 B		1	○ 55	410772001	Spring for needle selection cam		2
○ 1	410677001	Carriage plate		1	○ 56	410702001	Selection cam holder plate, R		1
2	408702001	Front foot		1	○ A57	410705001	Selection cam holder plate, L		1
3	409197001	Screw with washer		4	○ 58	410709001	Spring for guide plate, R		1
○ 4	410681001	Stopper		1	○ 59	410710001	Spring for guide plate, L		1
○ 5	412049006	+ - Screw 3.18×3.5		5	○ 60	410711001	Guide plate, R		1
○ 6	410708001	Sub stitch cam assembly		1	○ 61	410712001	Guide plate, L		1
7	412048006	+ - Screw 3.18×3		2	○ 62	410713001	Separation cam, R		1
8	408710001	Swing cam spring		1	○ 63	410714001	Separation cam, L		1
9	060660806	+ - Screw 3.18×8		2	64	406295001	Screw		2
10	408711001	Tuck cam assembly, right		1	65	408774002	Change cam knob		2
11	408714001	Tuck cam assembly, left		1	66	408775002	Stitch cam slide lever knob		1
12	408716001	Tuck cam plate		1	○ 67	410775002	Stitch dial assembly		1
13	408717001	Stud for tuck cam		2	○ 68	411987001	Carriage cover assembly KR-850 B		1
14	408718001	Tuck cam spring, right		1	○ 69	410722001	Chang knob, R		1
15	408719001	Tuck cam spring, left		1	○ 70	410723001	Chang knob, L		1
16	407299001	Screw		2	○ 71	410719001	Tuck cam knob		1
17	408720000	Tuck cam change plate		1	72	408783001	Tuck cam lever		1
18	408721000	Tuck cam operating plate		1	73	408784001	Pushing nut		1
○ 19	410682001	Sub raising cam		1	○ 74	410720001	Raising cam lever, L		1
○ 20	410686001	Holding cam, R		1	○ 75	410721001	Raising cam lever, R		1
○ 21	410685001	Guide cam, R		1	76	037351615	Tapping screw		4
○ 22	410683001	Holding cam, L		1					
○ 23	410688001	Guide cam, L		1					
24	405523001	Snap ring, 4		2					
25	409163001	Screw		2					
26	408318001	Change cam spring, right		1					
27	408319001	Change cam spring, left		1					
○ 28	410691001	Stitch cam, R		1					
○ 29	410689001	Stitch cam, L		1					
30	409094001	Stitch cam slide plate, right		1					
31	409097001	Stitch cam slide plate, left		1					
32	408759001	Raising cam spring		2					
33	408760001	Nut		6					
34	408761001	Washer		4					
35	408738001	Washer		4					
36	408739001	Collar		2					
37	026040001	Washer		2					
38	048030346	Snap ring		3					
39	408762001	Stitch adjuster plate assembly		1					
40	403395003	Washer		1					
41	060660506	+ - Screw 3.18×5		1					
○ 42	410694001	Cam slide lever		1					
43	408766101	Stitch cam guide plate assembly		1					
44	405516001	Washer		1					
45	048050346	Snap ring		2					
46	408769001	Stitch cam adjusting spring		1					
47	060661006	+ - Screw 3.18×10		1					
○ 48	410773000	Spring for cam slide lever		1					
49	408771001	Spring		1					
50	407285000	Carriage magnet 16		2					
51	408838000	magnet		1					
52a	408773006	Flat head screw 3.18×9		2					
52b	416484001	Flat head screw 3.18×9.5		2					
○ 53a	410695001	Carriage stopper		2					
○ 53b	060660406	+ - Screw 3.18×4		4					
○ 54	410696001	Needle selection cam		2					



# PARTS FOR NEEDLE BED

Ref. No.	Parts No.	Description	Revised	Q'ty	Ref. No.	Parts No.	Description	Revised	Q'ty
○ B 1- 5	410744101	Needle bed and comb assembly		1	B55	410756001	Setting plate, L		1
1	409169101	Needle bed		1	56	408190003	Side cover right		1
2	403368001	Needle retaining spring		1	57	408189003	Side cover left		1
3	407750000	Needle retaining spring holder		1	○ 58	410750001	Thumb screw		2
4	062630406	Screw		2	59	405663001	Screw		4
5	062631006	Fastening screw, 2.38×10		8	60	408191001	Needle bed fastening plate		1
6	404627000	Plastic bar guide		1	61	407675003	Grip assembly		1
7	403208001	Plastic bar guide spring		1	○ 62-65	411985002	Needle bed pear cover assembly		1
8	412109004	Screw		16	62	408818003	Needle bed pear cover		1
9	404935001	Notch adjusting plate assembly		1	○ 63	411989002	Half pitch lever indicator plate KR-850		1
10	403214001	Notch adjusting plate presser plate		1	64	409016101	Yarn holder		1
11	405663001	Flat head screw		2	○ 65	037270816	Tapping screw		1
12	404937001	Half pitch lever		1	67	410072001	Screw with washer		8
13	407659001	Notch plate connecting rod		1	68	403246005	Half pitch lever knob		1
14	403220001	Spring plate		1	69	408194003	Plastic rivet		4
15	021680206	Nut		1					
16	403221001	Racking movement indicator		1					
17	403228003	Pattern range peg		2					
18	406295001	Screw		2					
19	407661001	Racking movement indicator line		1					
20	408791001	Needle bed comb assembly		1					
21	405077001	Nut		14					
22	410651001	Slide plate assembly R		1					
23	410652001	Slide plate assembly L		1					
24	403237051	Slide plate guide stud		2					
25	402447003	Washer		2					
26	408793001	Nut		2					
27	407810001	Notch plate		1					
○ 28	062689413	+ - Screw 4.37×4.5		1					
29	407669001	Notch plate spring		1					
30	060660606	+ - Screw 3.18×6		2					
31	407670001	Screw		1					
32	061660504	Screw		2					
33	407671000	Gear cover		1					
34	407672000	Gear holding plate		1					
35	407673001	Gear		1					
36	407674001	Grip spring		1					
○ 37	410725001	Needle position indicator		1					
38	404648001	Purl needle		200					
39	404649004	Plastic bar		1					
40	408796052	Screw		1					
41	408795052	Stud screw		1					
○ 42	410729001	Spacer		2					
43	409160001	Notch plate spring supporter		1					
○ 44-50	410732001	Bracket assembly, R		1					
○ 44	410733001	Bracket right assembly		1					
45	403267001	Lever spring		1					
46	408804001	Bracket reinforcing plate assembly, R		1					
○ 47-53	410742001	Bracket assembly, L		1					
○ 47	410739001	Stay for needle bed		1					
○ 48	418519001	Spacer		1					
○ 49	410741001	+ Flat head screw 3.18×13.5		1					
50	047201443	Spring pin		1					
○ 51	410743001	Bracket left assembly		1					
52	403267001	Lever spring		1					
53	408816001	Bracket reinforcing plate assembly, L		1					
54	410753001	Setting plate, R		1					



PARTS FOR ACCESSORIES Fig : C

# PARTS FOR ACCESSORIES

Ref. No.	Parts No.	Description	Revised	Q'ty	Ref. No.	Parts No.	Description	Revised	Q'ty
○ C 1-9	411990001	Connecting arm assembly		1					
○ 1	411991001	Connecting arm		1					
○ 2	411993001	Guide plate for needle latch		1					
○ 3	411995001	Latch opening brush		1					
4	040280616	Tapping screw		2					
5	408305001	Screw		2					
6	408847001	Connecting adjuster plate		1					
7	408454001	Screw		2					
○ 8	411996000	Yarn feeder		1					
9	411983001	Fastening screw for yarn feeder		2					
10	403278006	Cast-on plate, long		1					
11	410766000	Wire, long		1					
12	408822001	Cast-on plate, short		1					
13	410769000	Cast-on plate wire, short		1					
14	408014001	Large weight		4					
15	408015001	Small weight		2					
16	403285000	Weight hanger		2					
17	403286003	Work hook		1					
18	403313001	Claw weight hanger		2					
○ 19	410759001	Adjusting tool		1					
20	404648001	Purl needle		3					
21	407483000	Spare needle case		1					
22	486101001	Double eyelet transfer needle		1					
23	408827003	1/1×2/2 Needle pusher		1					
24	407552001	Table clamp		2					
25	409114002	Fine knitting bar		1					
26	408829001	End stitch presser R		1					
27	408855001	End stitch presser L		1					
○ 28	410762001	Carriage lock for KR		1					
○ 29	411997001	Plating yarn feeder for KR		1					