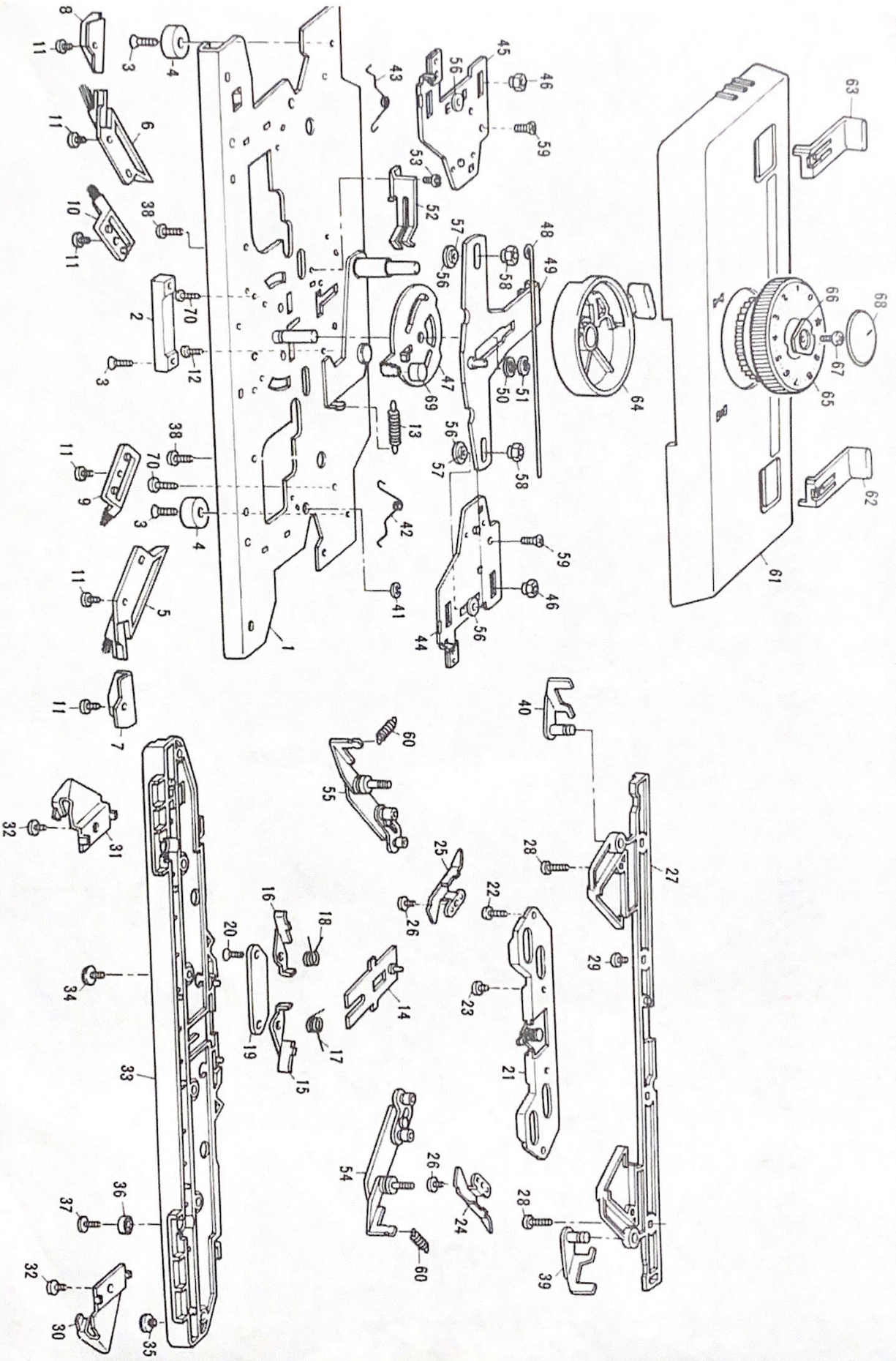


PARTS CATALOGUE FOR KR-260 RIBBING ATTACHMENT

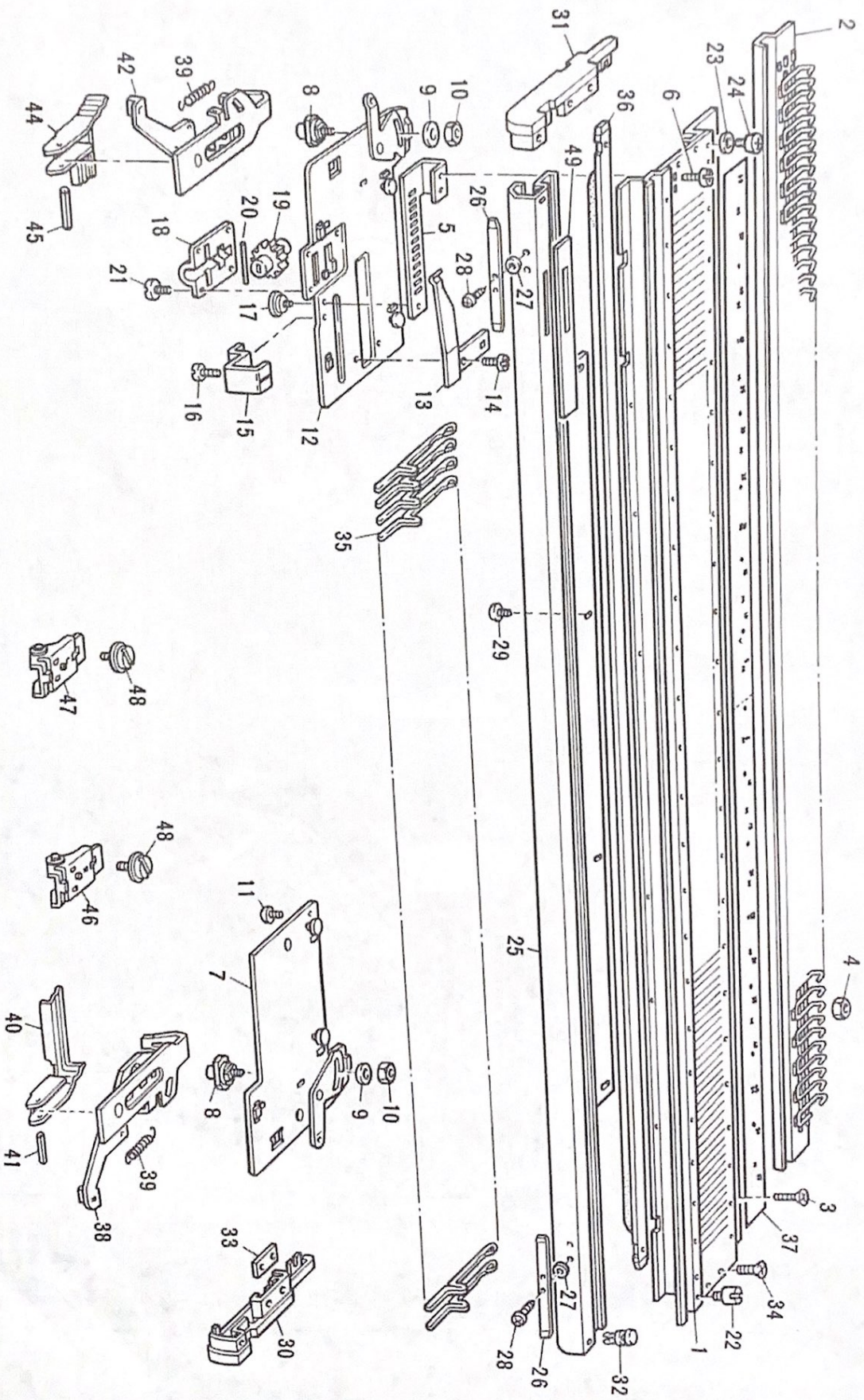


PARTS FOR CARRIAGE

Fig: A

PARTS FOR CARRIAGE

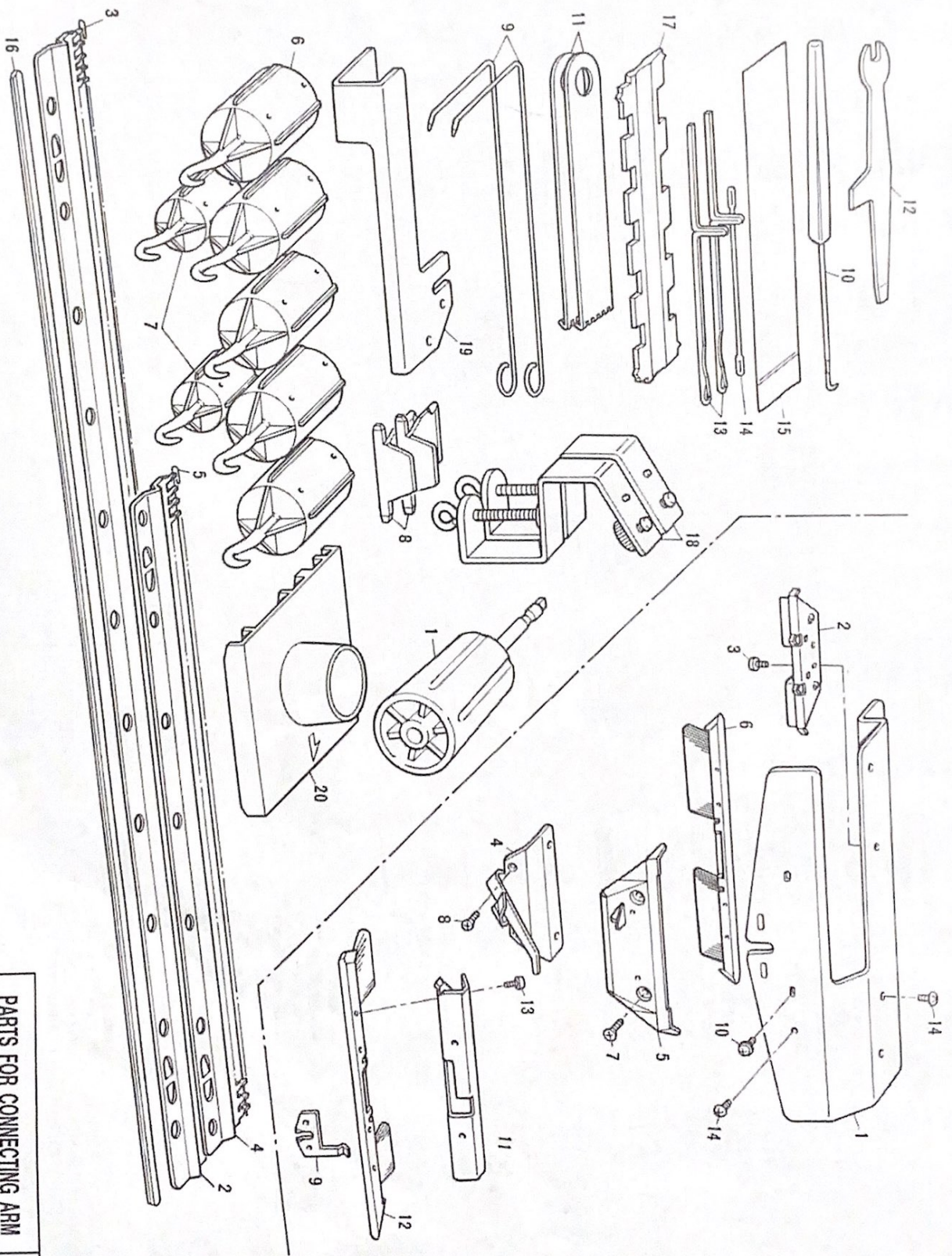
Ref. No.	Parts No.	Description	Qty	Ref. No.	Parts No.	Description	Qty
A-1	413741001	Carriage plate	1	51	048050346	Snap ring 5	1
2	408838000	Magnet S	1	52	413796001	Stitch dial spring	1
3	408773006	Flat head screw 3.18-40 x 9	2	53	060660406	Screw 3.18-40 x 4	1
4	407285000	Carriage magnet 16 x 8	2	54	413797001	Stitch cam R assembly	1
5	413752001	KR Latch opening brush R	1	55	413804001	Stitch cam L assembly	1
6	413753001	KR Latch opening brush L	1	56	408738001	Washer 3.4	4
7	413754000	KR Latch presser plate, R	1	57	408739001	Washer 3.3	4
8	413755000	KR Latch presser plate, L	1	58	408760001	Collar 3.3	2
9	413756001	Tucking brush R	1	59	061660706	Nut for stitch cam slide plate	2
10	413757001	Tucking brush L	1	60	413808001	Screw 3.18-40 x 7	4
11	060660406	Screw 3.18-40 x 4	8	61	413809001	Pull-up cam spring	2
12	060661006	Screw 3.18-40 x 10	1	62	413810001	Carriage cover	1
13	408771001	Spring 5.0	1	63	413811001	Push-up cam lever R	1
14	413758001	Tuck cam change plate	1	64	413812001	Push-up cam lever L	1
15	413761001	Tuck cam R	1	65	413813001	Stitch cam change lever	1
16	413762001	Tuck cam L	1	66	406283001	Stitch dial knob assembly	1
17	411211001	Spring R for intarsia raising cam	1	67	060660606	Stitch dial presser	1
18	411257001	Spring L for intarsia raising cam	1	68	409601004	Screw 3.18-40 x 6	1
19	413763001	Tuck cam plate	1	69	408775003	Stitch dial cap	1
20	408773006	Flat head screw 3.18-40 x 9	1	70	037351615	Stitch cam slide lever knob	1
21	413764001	Sub stitch cam assembly	2			Tapping screw 35 x 16	1
22	060660806	Screw 3.18-40 x 8	1				4
23	413768001	+ Screw 3.18 x 3.5	2				
24	413769001	Push-up cam holder plate R	1				
25	413770001	Push-up cam holder plate L	1				
26	405658001	+ Screw 3.18	1				
27	413771000	Front foot	2				
28	060661206	Screw 3.18-40 x 12	1				
29	060660506	Screw 3.18-40 x 5	4				
30	413772000	Guide cam R	2				
31	413773000	Guide cam L	1				
32	060660406	Screw 3.18-40 x 4	1				
33	413774000	Rear foot	2				
34	409494001	+ Screw 3.57	1				
35	413776001	+ Screw 3.57-40 x 3.5	4				
36	413777001	Bearing 8	2				
37	413778001	Stop screw for bearing	2				
38	060661206	Screw 3.18-40 x 12	2				
39	413779001	Change cam R assembly	2				
40	413781001	Change cam L assembly	1				
41	048040346	Snap ring E4	1				
42	413783001	Change cam spring R	2				
43	413784001	Change cam spring L	1				
44	413785001	Stitch cam slide plate R assembly	1				
45	413788001	Stitch cam slide plate L assembly	1				
46	413790001	Nut 9	4				
47	413791001	Stitch cam slide lever	1				
48	413792000	Stitch cam slide lever spring	1				
49	413793001	Stitch cam plate assembly	1				
50	405516001	Washer 8.1	1				



PARTS FOR NEEDLE BED
Fig. B

PARTS FOR NEEDLE BED

Ref. No.	Parts No.	Description	Q'ty	Ref. No.	Parts No.	Description	Q'ty
B-1	413831001	Needle bed assembly	1				1
2	411915001	Needle bed comb assembly	1	49	413862001	Half pitch lever indicator plate	1
3	412109004	Screw 238-56 x 7	15				
4	405077001	Nut 2.38	15				
5	411918001	Notch plate 9	1				
6	062670604	Screw 3.57-40 x 6	1				
7	413834001	Slide plate R assembly	1				
8	403237001	Guide pin for slide lever	1				
9	402447003	Washer 4.4	1				
10	408793001	Nut 4.37 x 4	1				
11	060660406	Screw 3.18-40 x 4	1				
12	413836001	Slide plate L assembly	1				
13	411925001	Notch plate spring	1				
14	060670606	Screw 3.57-40 x 6	1				
15	411924001	Racking movement indicator line	1				
16	060660406	Screw 3.18-40 x 4	1				
17	410535001	Stud screw 3.18	1				
18	407671000	Gear cover	1				
19	407673001	Gear	1				
20	407674001	Grip spring	1				
21	060660506	Screw 3.18-40 x 5	4				
22	411930001	Stopper pin R	1				
23	403877001	Washer 4.6	1				
24	413838001	Stopper pin L	1				
25	413840001	Needle bed rear cover	1				
26	409016001	Yarn holder	2				
27	403226001	Washer 2.6	2				
28	037270816	Tapping screw 2.6 x 8	2				
29	410072001	+ - Screw 3.18 x 10	8				
30	413841001	Slide cover R	1				
31	413842001	Slide cover L	1				
32	408194001	Plastic rivet	4				
33	411333001	Needle bed fastening plate	2				
34	407119001	Screw 4.37	4				
35	413843001	Purl needle	110				
36	411301002	Needle presser bar	1				
37	413844001	Needle position indicator	1				
38~41	413845001	Bracket R assembly	1				
38	413846001	Bracket R	1				
39	403267001	Lever spring	1				
40	413849001	Reinforcing plate R assembly	1				
41	047302043	Spring pin	1				
42~45	413852001	Bracket L assembly	1				
42	413853001	Bracket L	1				
43	403267001	Lever spring	1				
44	413855001	Reinforcing plate L assembly	1				
45	047302043	Spring pin	1				
46	413857001	Setting plate R	1				
47	413860001	Setting plate L	1				
48	410750001	Thumb screw	2				



C

PARTS FOR CONNECTING ARM

Fig. C

PARTS FOR ACCESSORIES

Fig. D

D

PARTS FOR CONNECTING ARM

PARTS FOR ACCESSORIES

Ref. No.	Parts No.	Description	Qty	Ref. No.	Parts No.	Description	Qty
C-1	413817001	Connecting arm	1	D-1	407675003	Grip assembly	1
2	413818001	Magnet holder assembly	1	2	411961001	Cast-on plate, long 9	1
3	413768001	+ Screw 3.18 x 3.5	2	3	411962001	Cast-on plate wire, long	1
4	413823000	KR-vm feeder	1	4	411963001	Cast-on plate, short 9	1
5	413824000	Guide plate for needle latch	1	5	410769001	Cast-on plate wire, short	1
6	413828001	Latch opening brush 9B	1	6	408014001	Large weight	5
7	409099001	Tapping screw 2.6	2	7	408015001	Small weight	2
8	412108015	Flat head screw 56 x 3.5	2	8	413724001	End stitch supporter A	2
9	413826001	Adjusting plate	1	9	403285001	Weight hanger	2
10	408454001	Screw 3.57	2	10	411965002	Work hook	2
11	413827000	Brush arm	1	11	403313001	Claw hook	1
12	413825001	Latch opening brush 9A	1	12	408826001	Spanner	1
13	037280516	Tapping screw 26 x 5	1	13	413843001	Purl needle	1
14	408304001	Fastening screw 3.18 x 4	4	14	411967001	Double eyelet transfer tool	1
				15	407483000	Spare needle case	1
				16	413864001	Knitting bar	1
				17	411968002	2/1 x 2/2 Needle pusher	1
				18	413865001	Table clamp 9 assembly	1
				19	413867001	Carriage lock for KR	2
				20	413869001	D-slider	1

USE comb
 #07015316
 #07085314
 WILEE