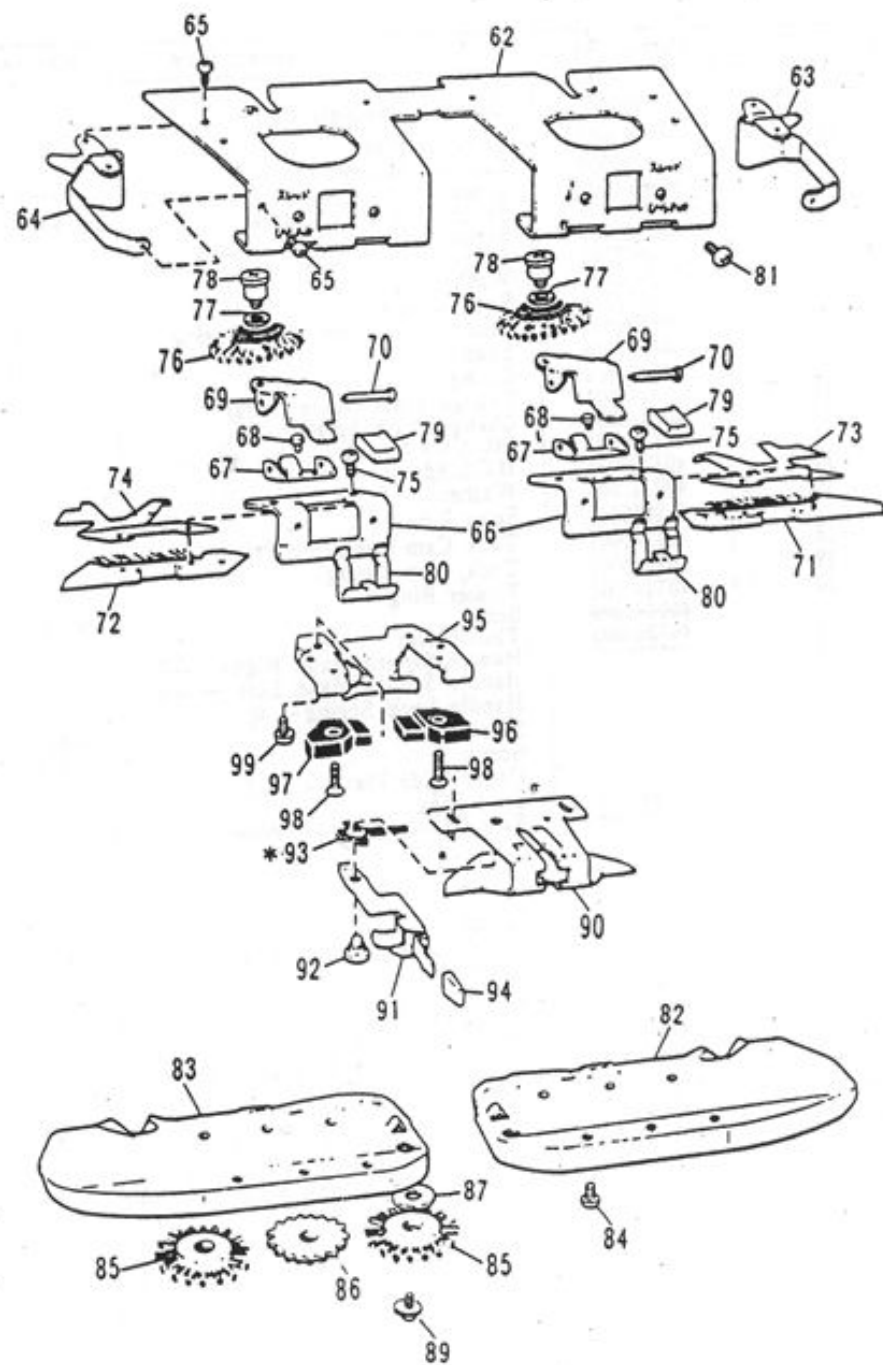
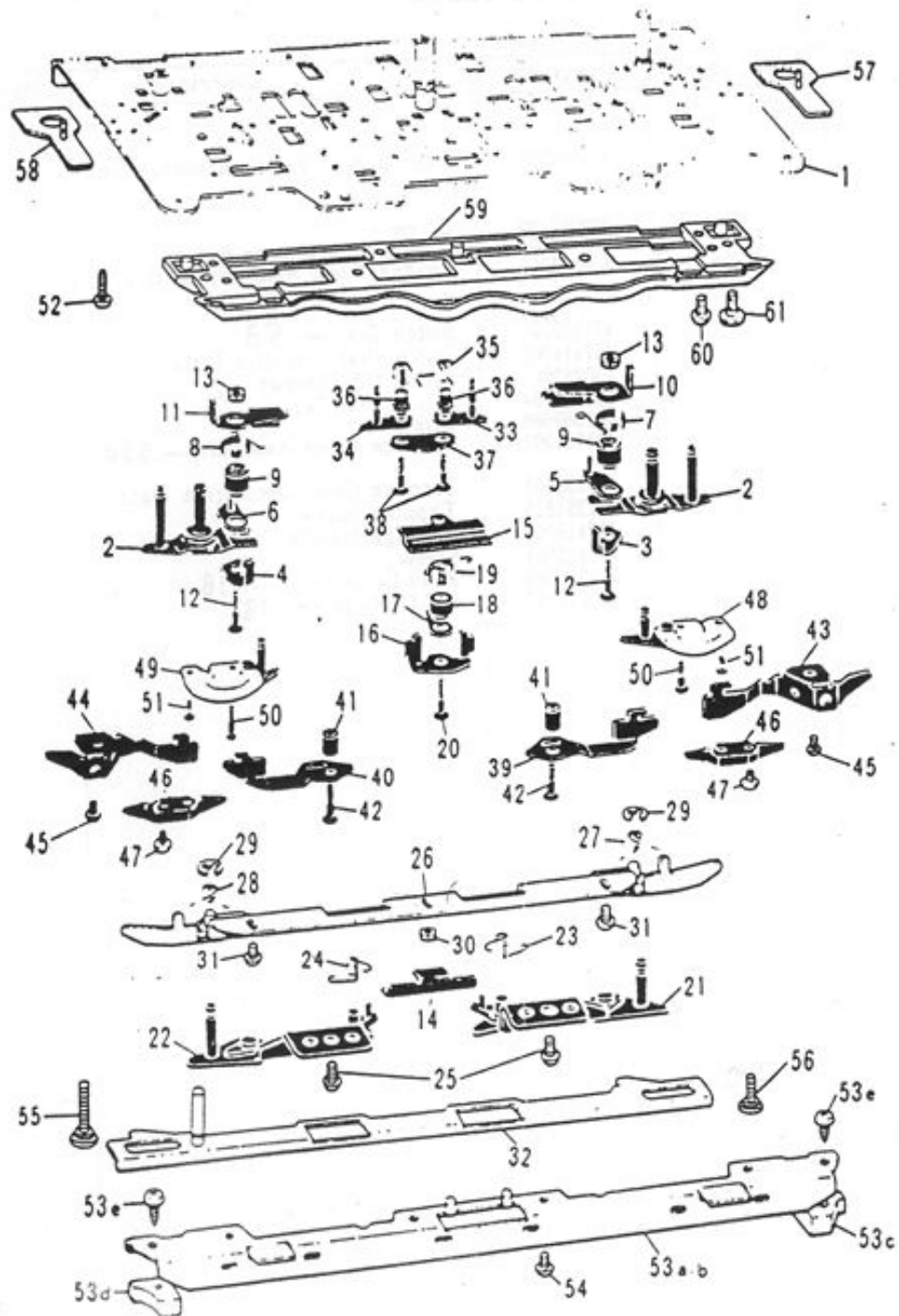
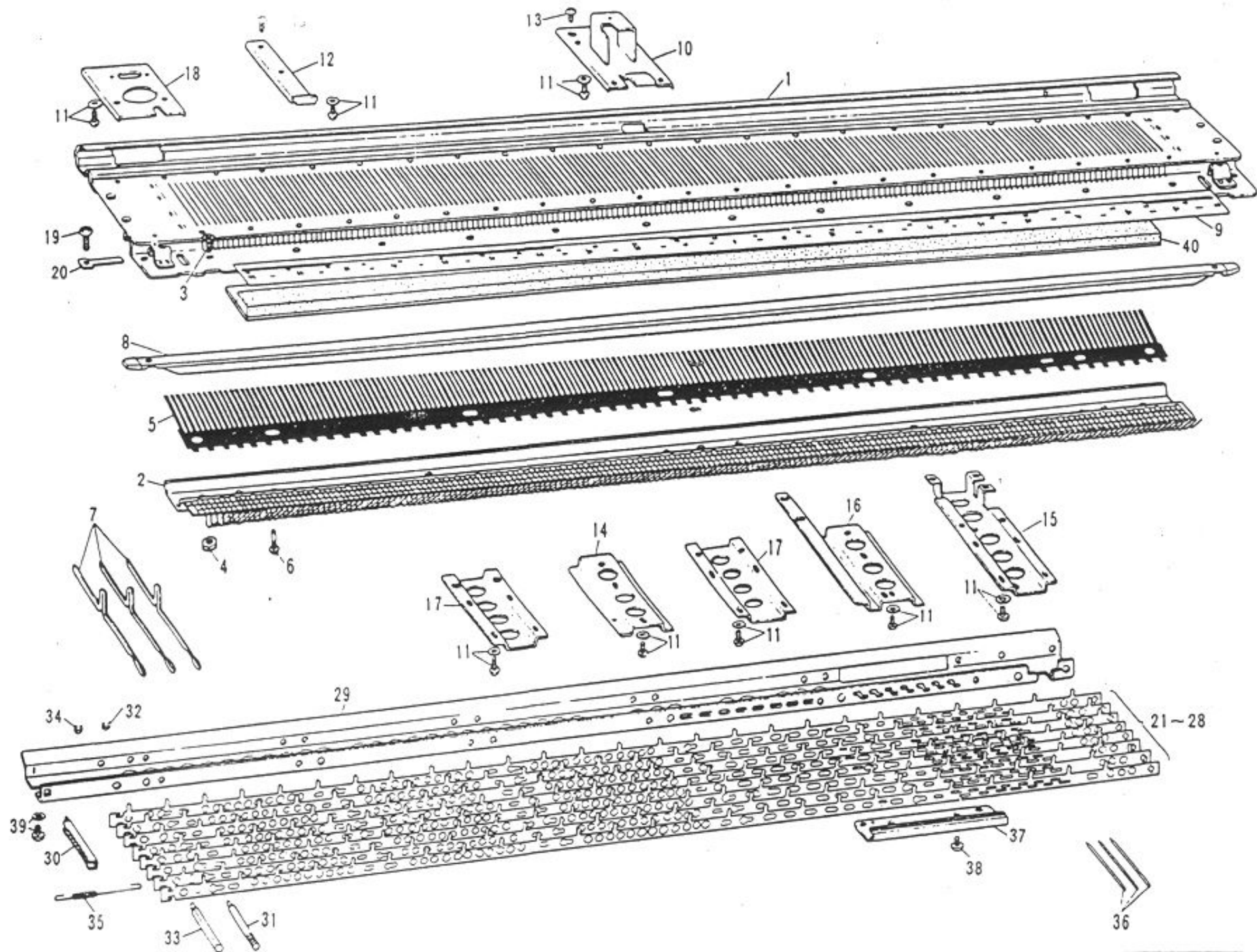
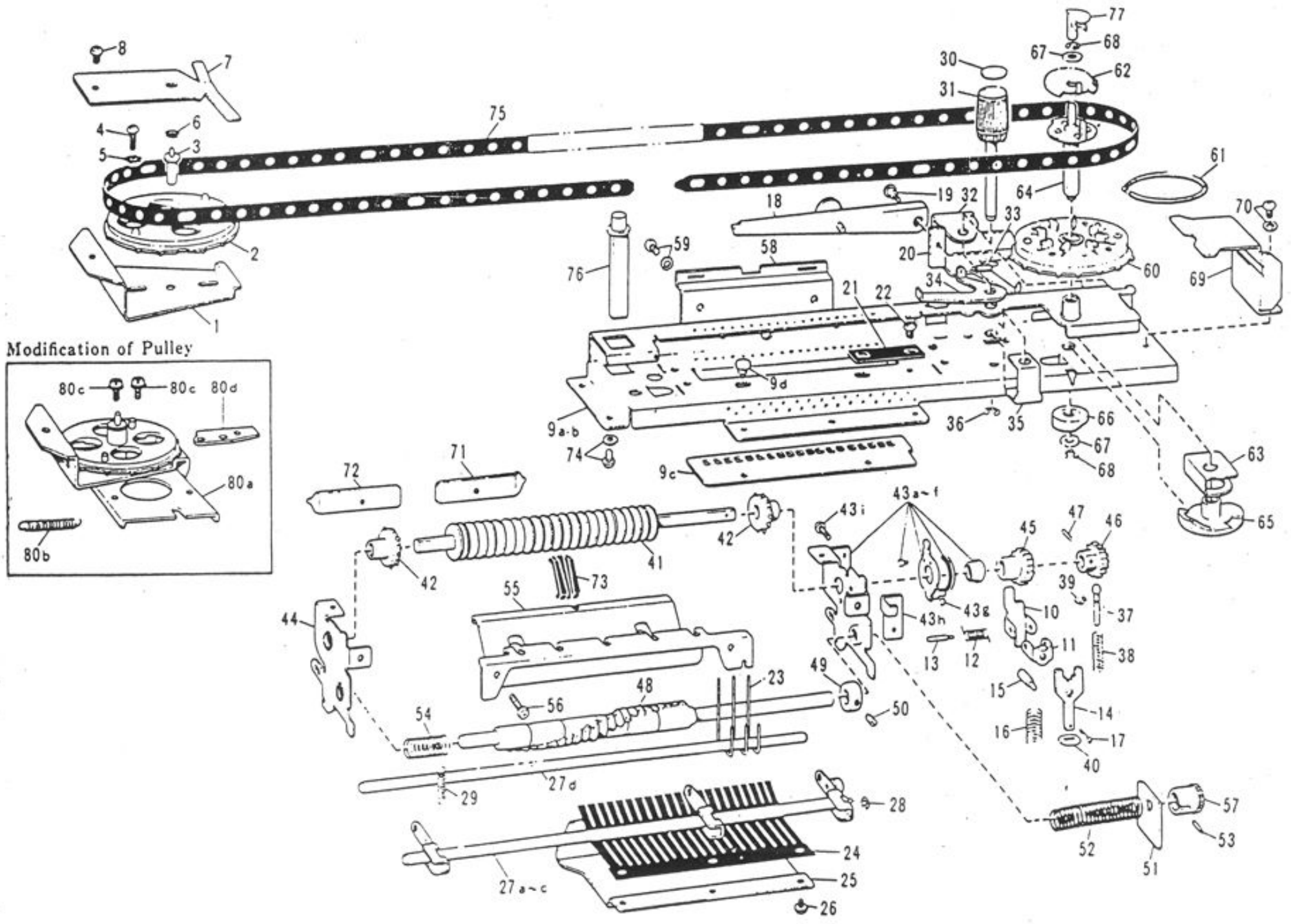


PARTS FOR CARRIAGE Fig: A 1

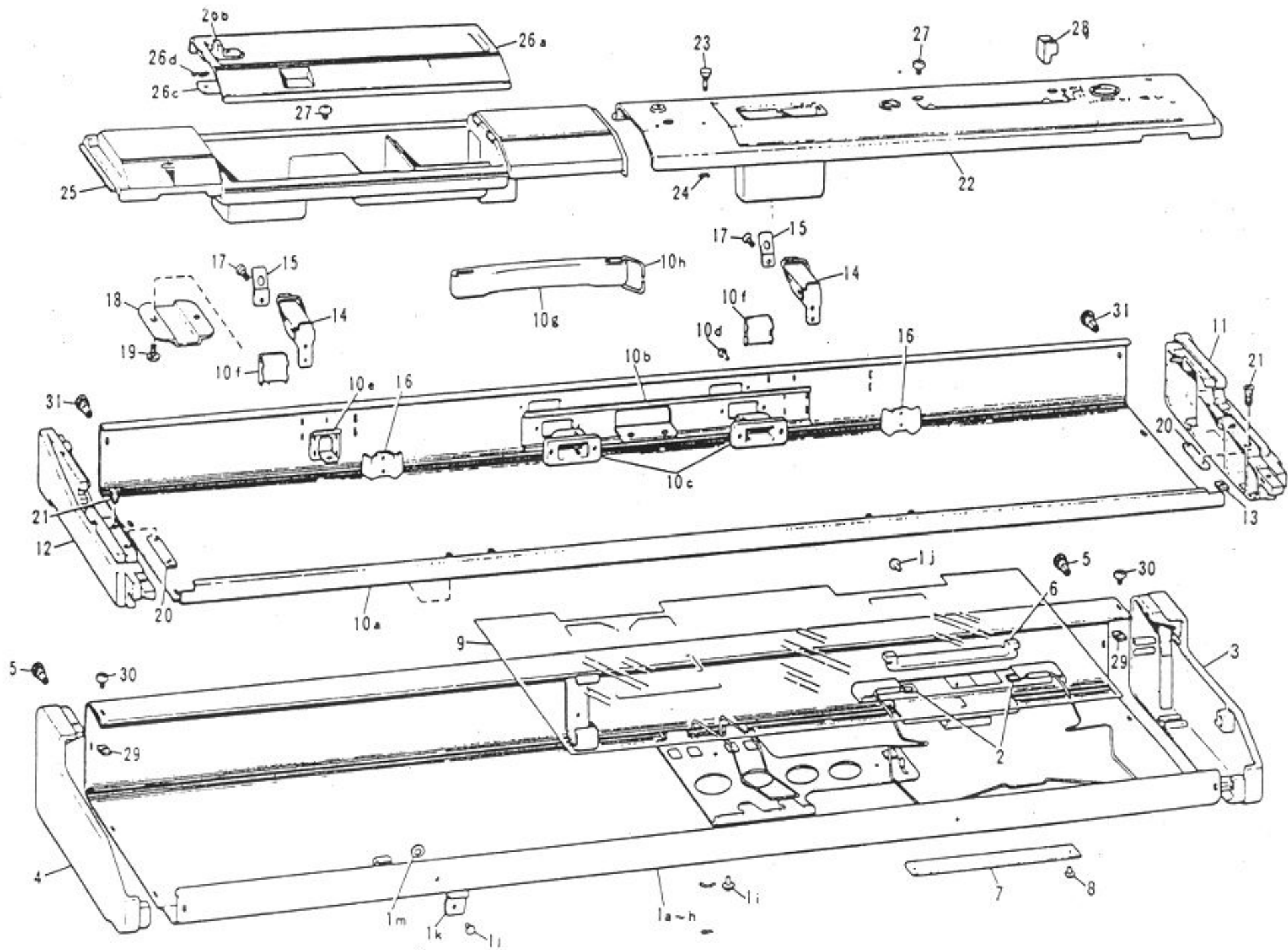


PARTS FOR CARRIAGE Fig: ATT

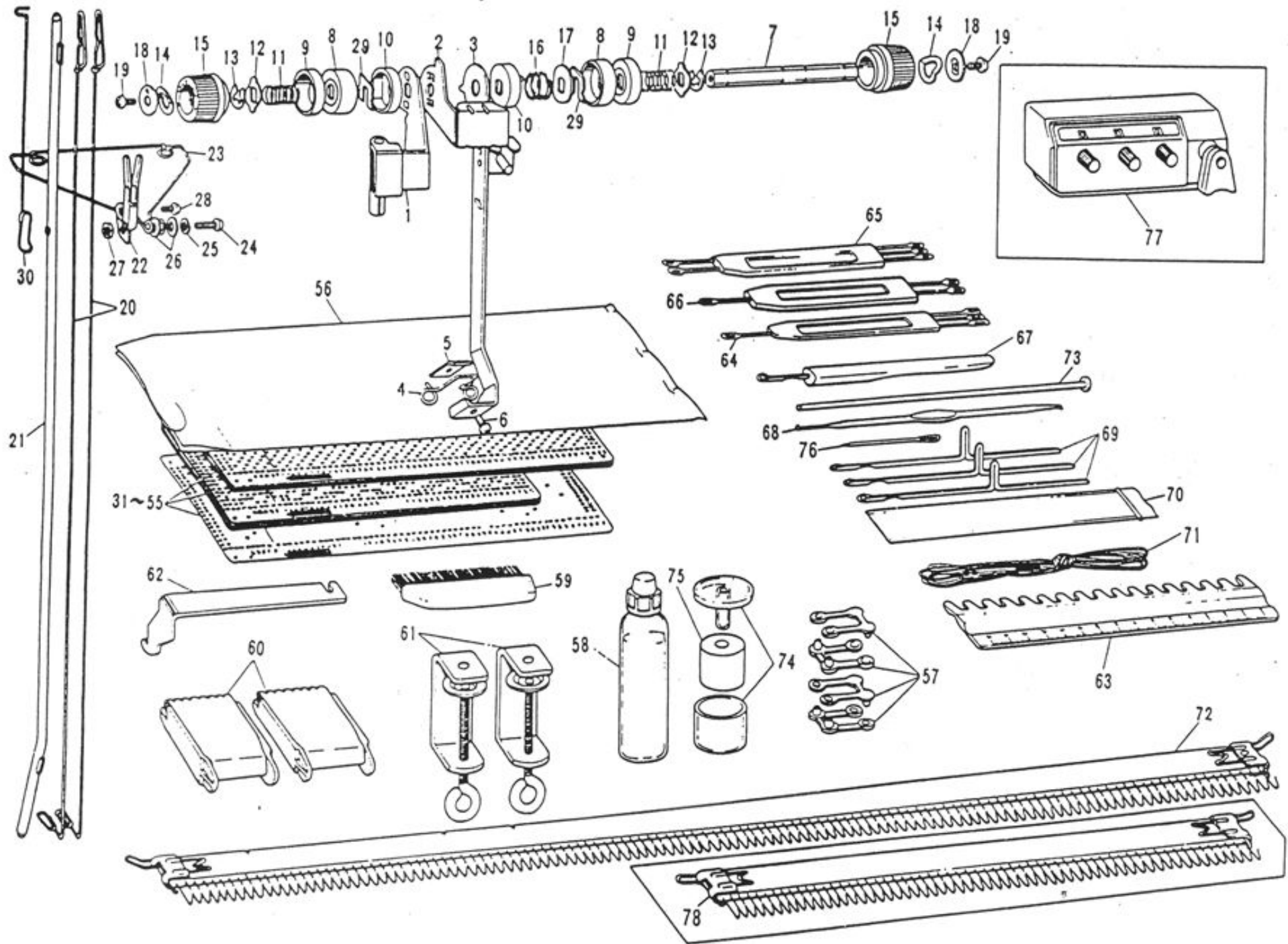




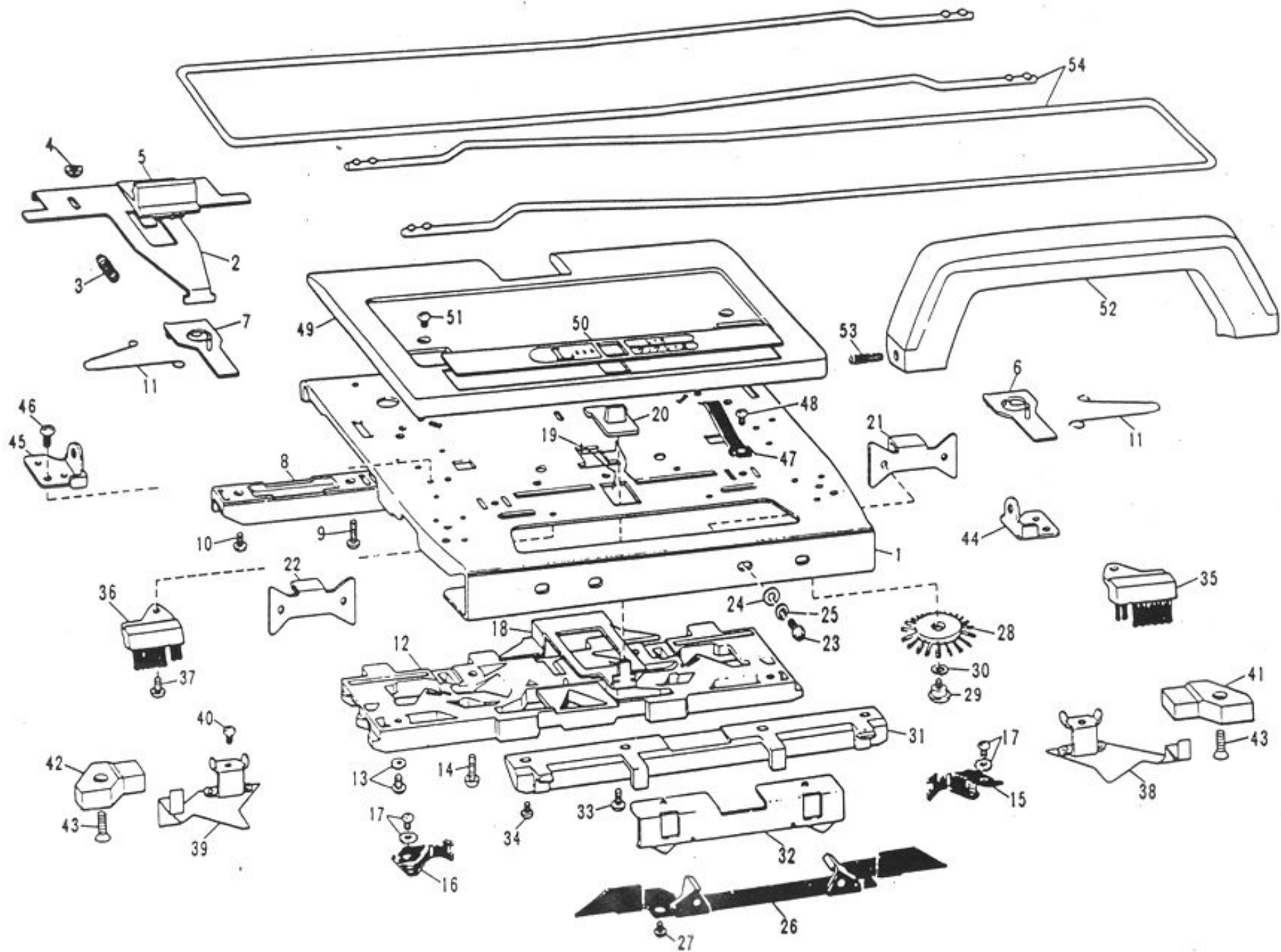
NEEDLE SELECTOR UNIT Fig: C



PARTS FOR CARRYING CASE Fig: D



PARTS FOR ACCESSORIES | Fig. E



PARTS FOR L-CARRIAGE Fig: F