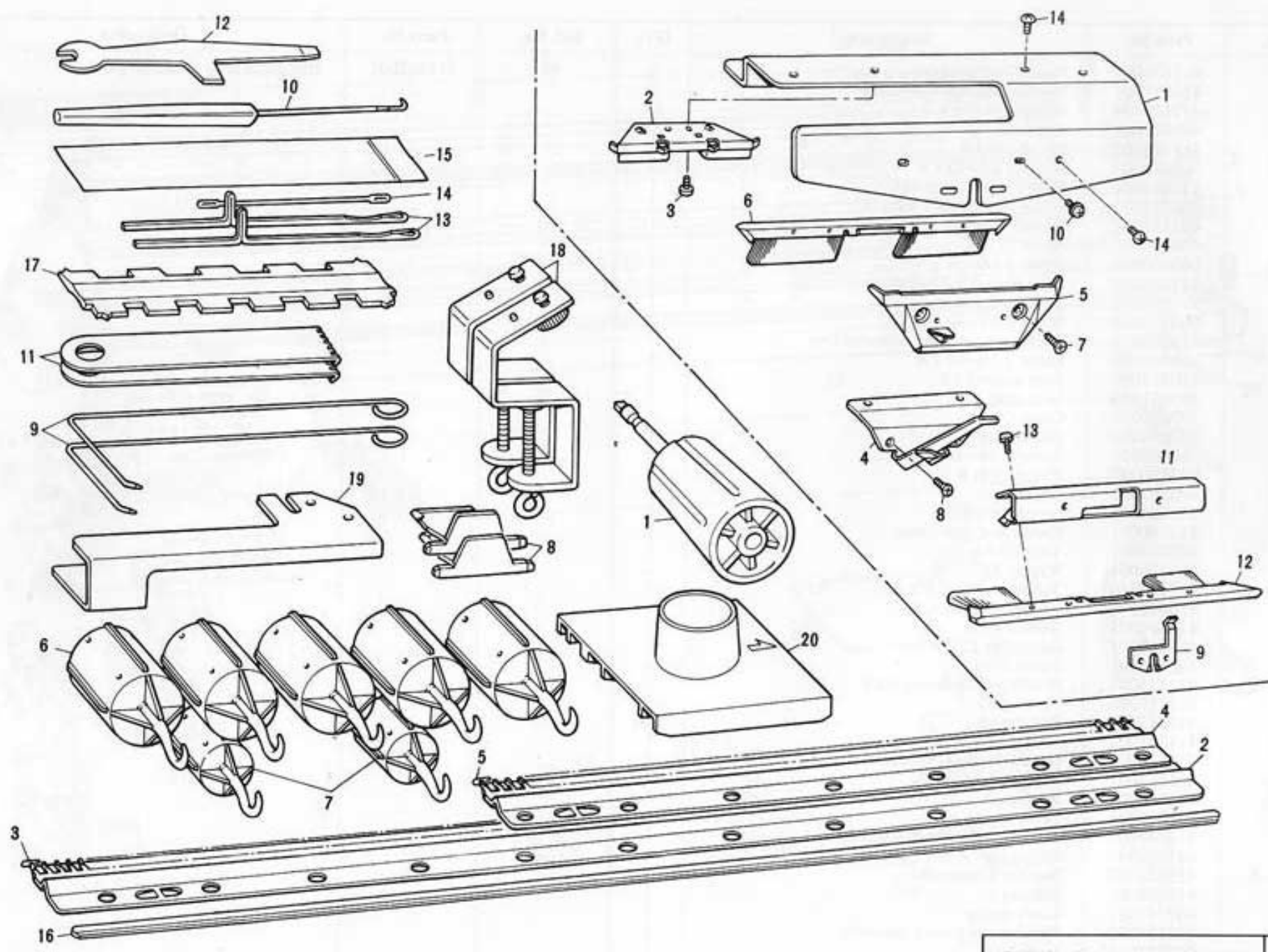


PARTS FOR NEEDLE BED

Fig: B

C



D

PARTS FOR CONNECTING ARM	Fig: C
PARTS FOR ACCESSORIES	Fig: D

