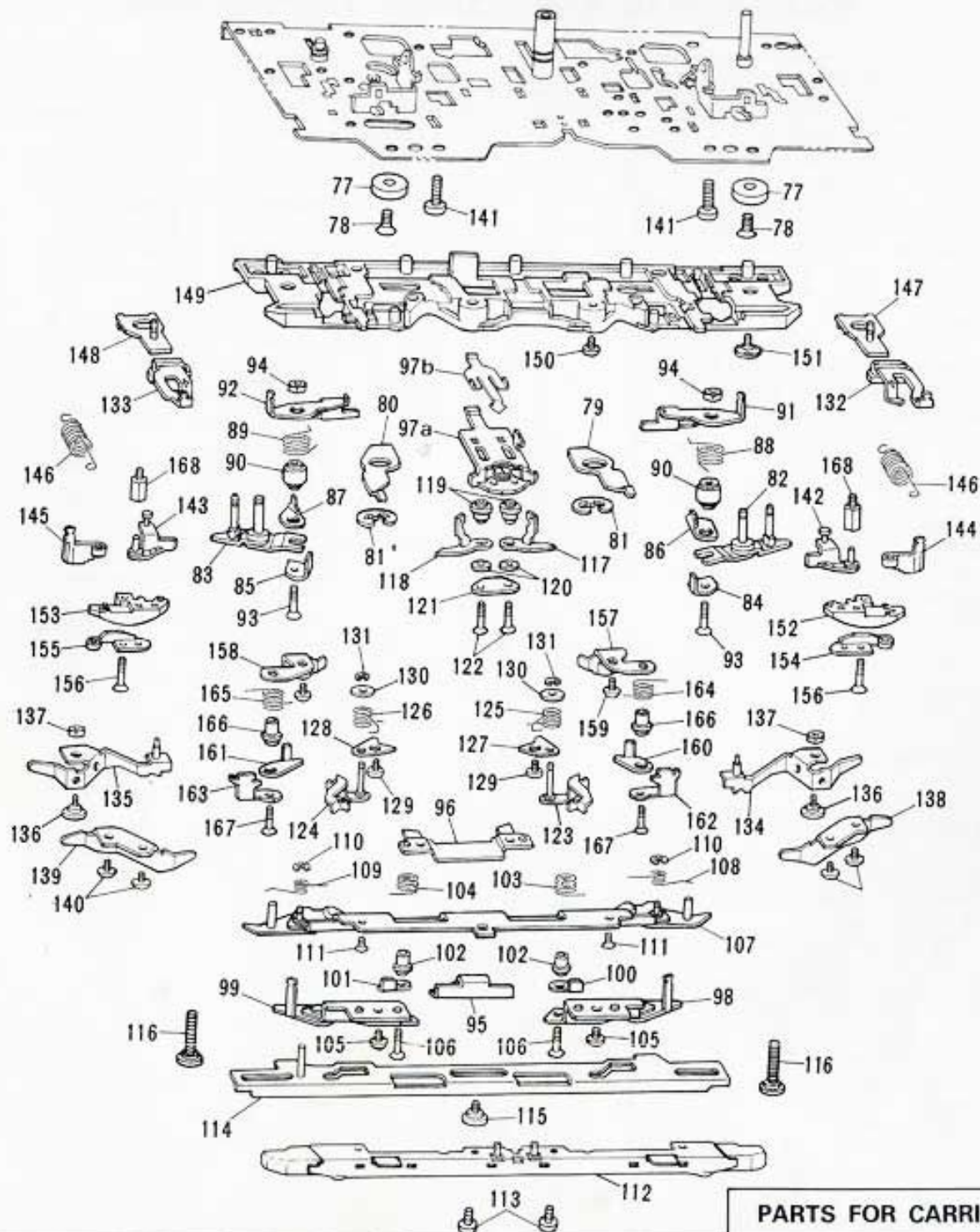
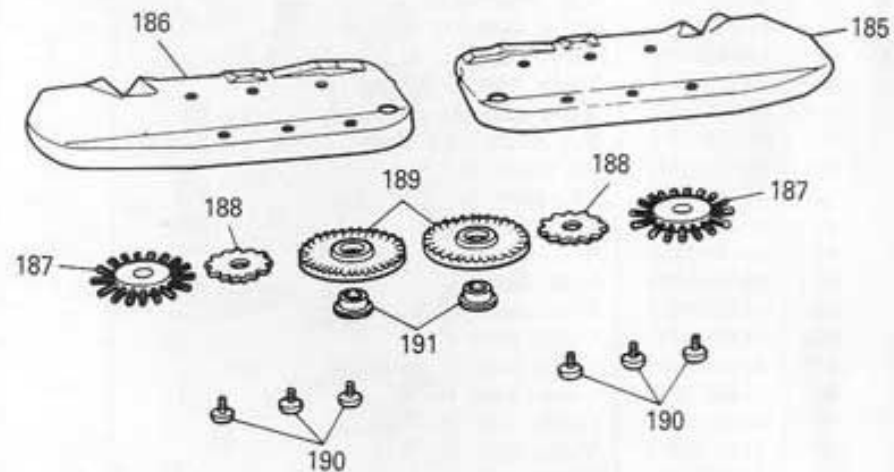
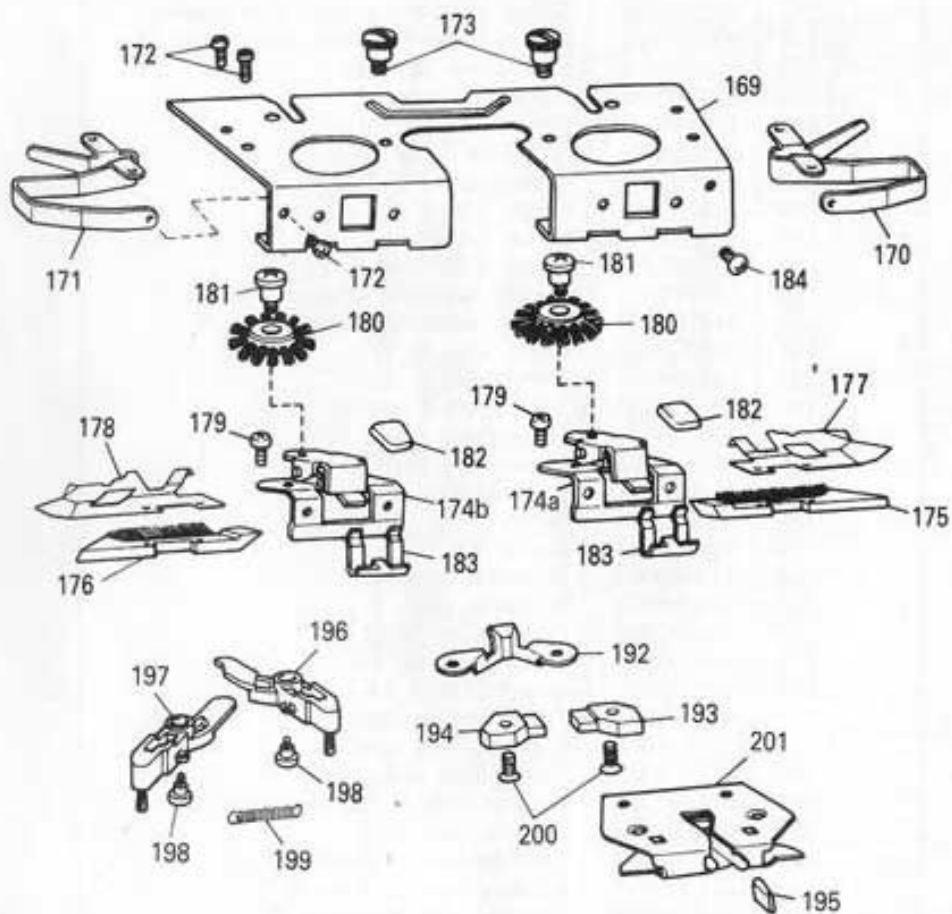


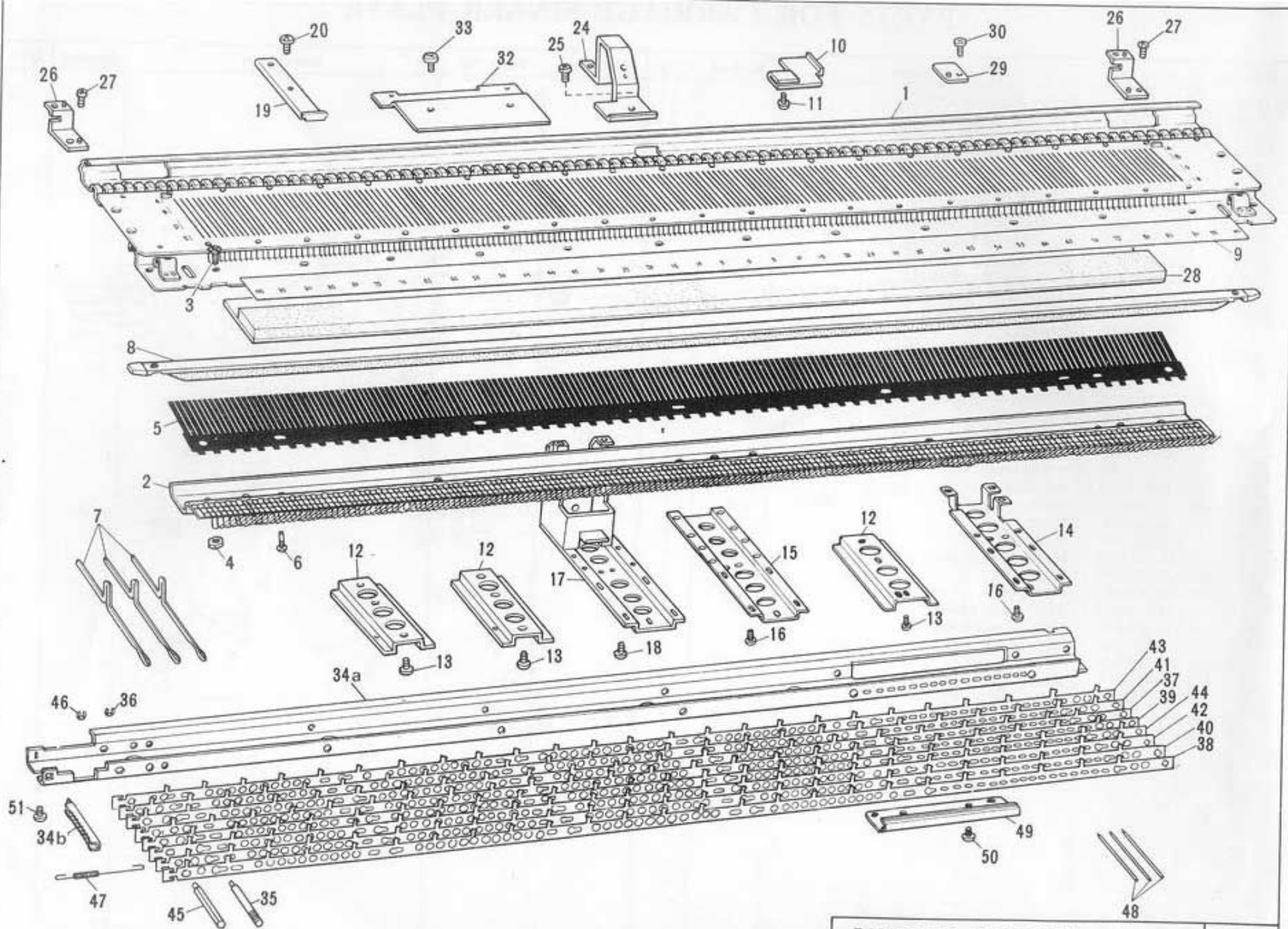
PARTS FOR CARRIAGE UPPER PART Fig: AI



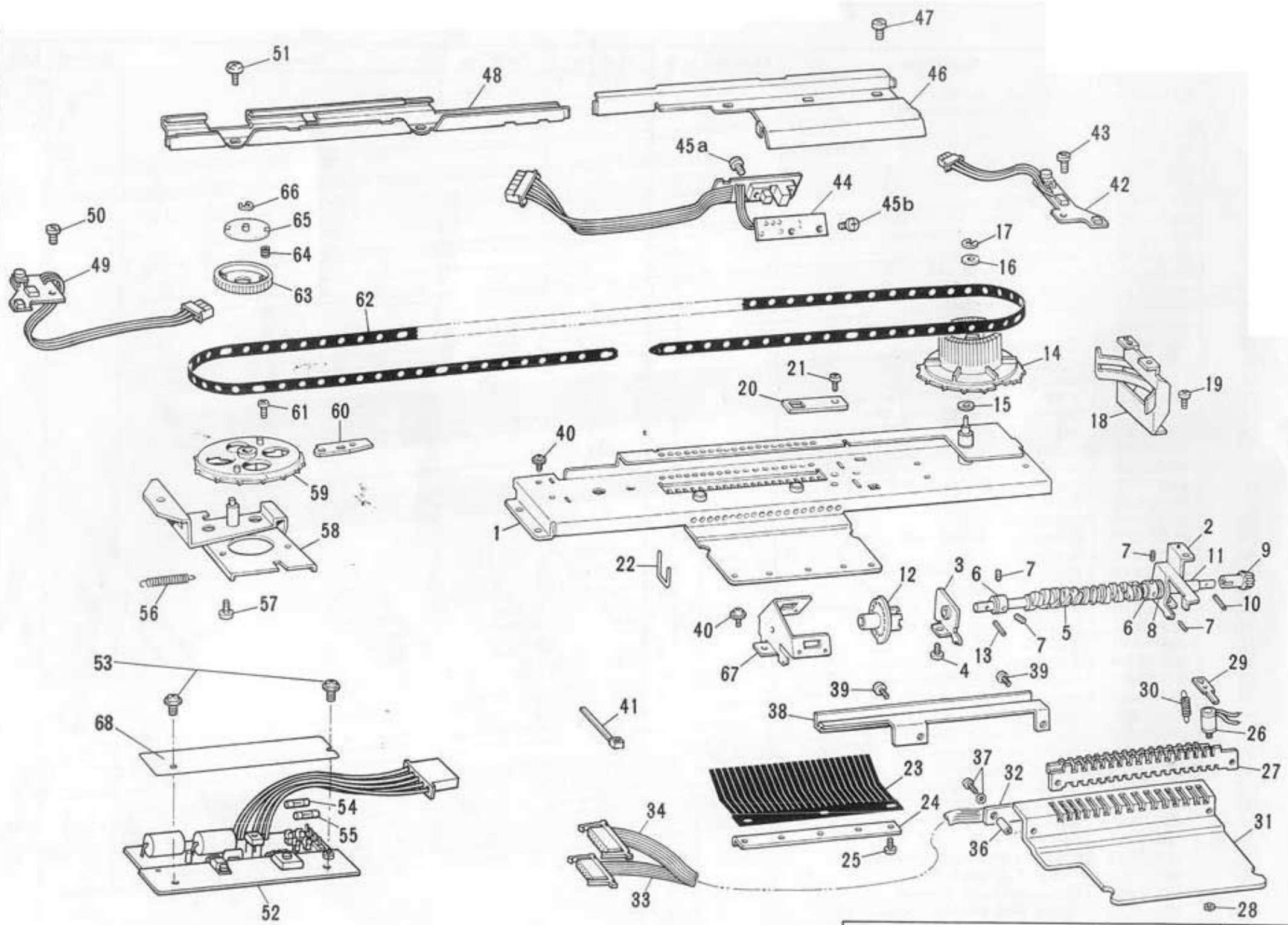
PARTS FOR CARRIAGE LOWER PART Fig: All



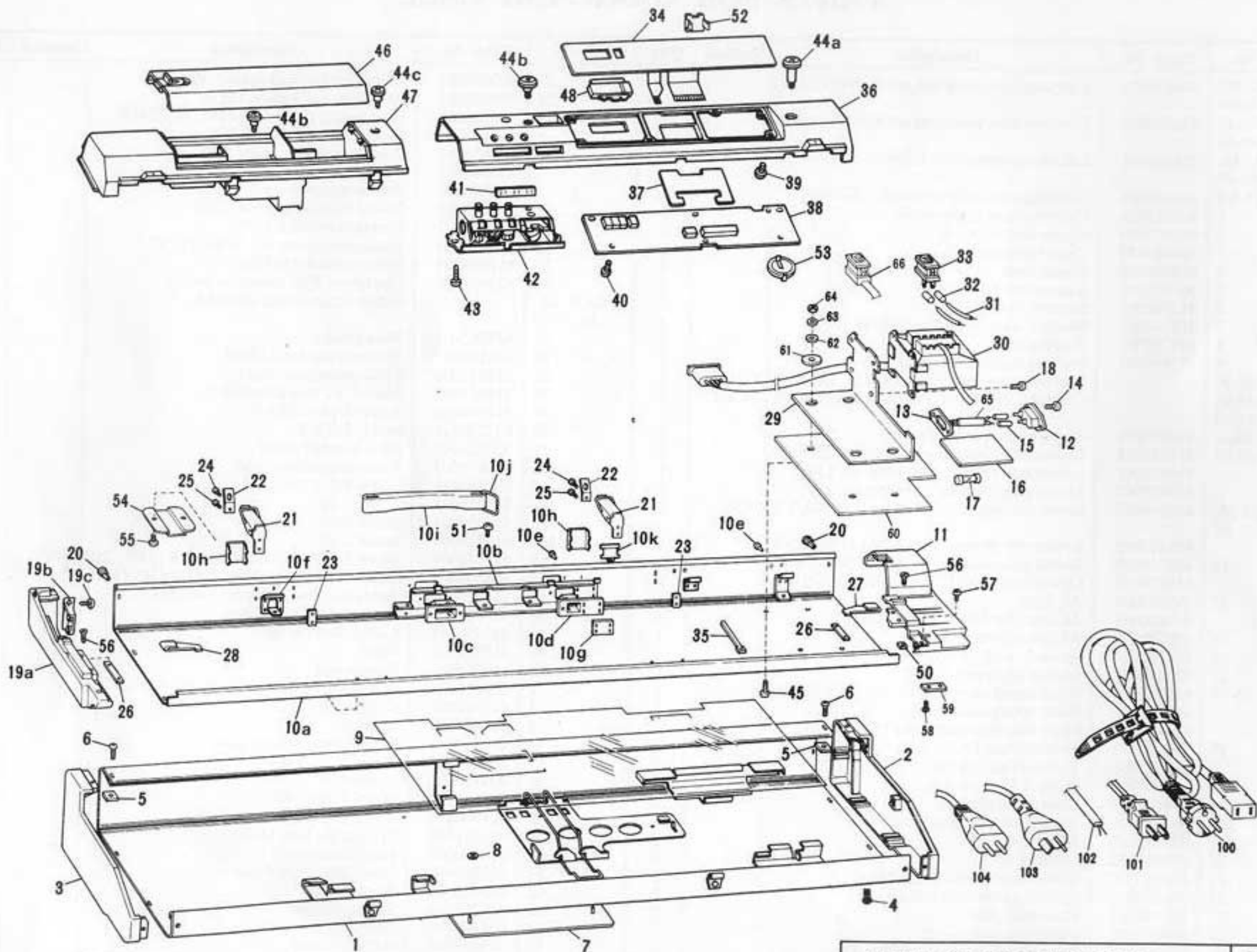
PARTS FOR CARRIAGE SINKER PLATE Fig: AII



PARTS FOR NEEDLE BED Fig: B

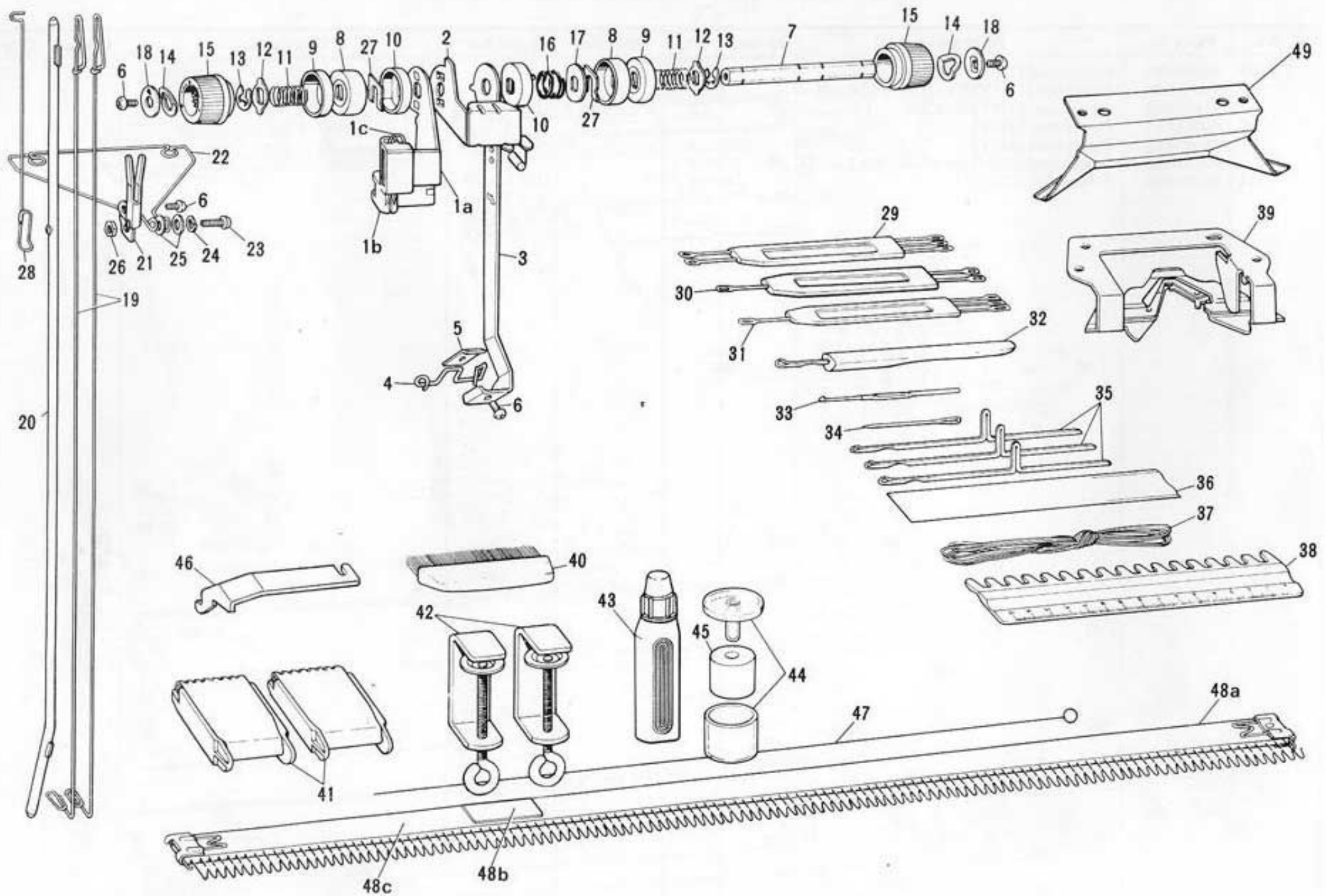


PARTS FOR NEEDLE SELECTOR UNIT Fig. C



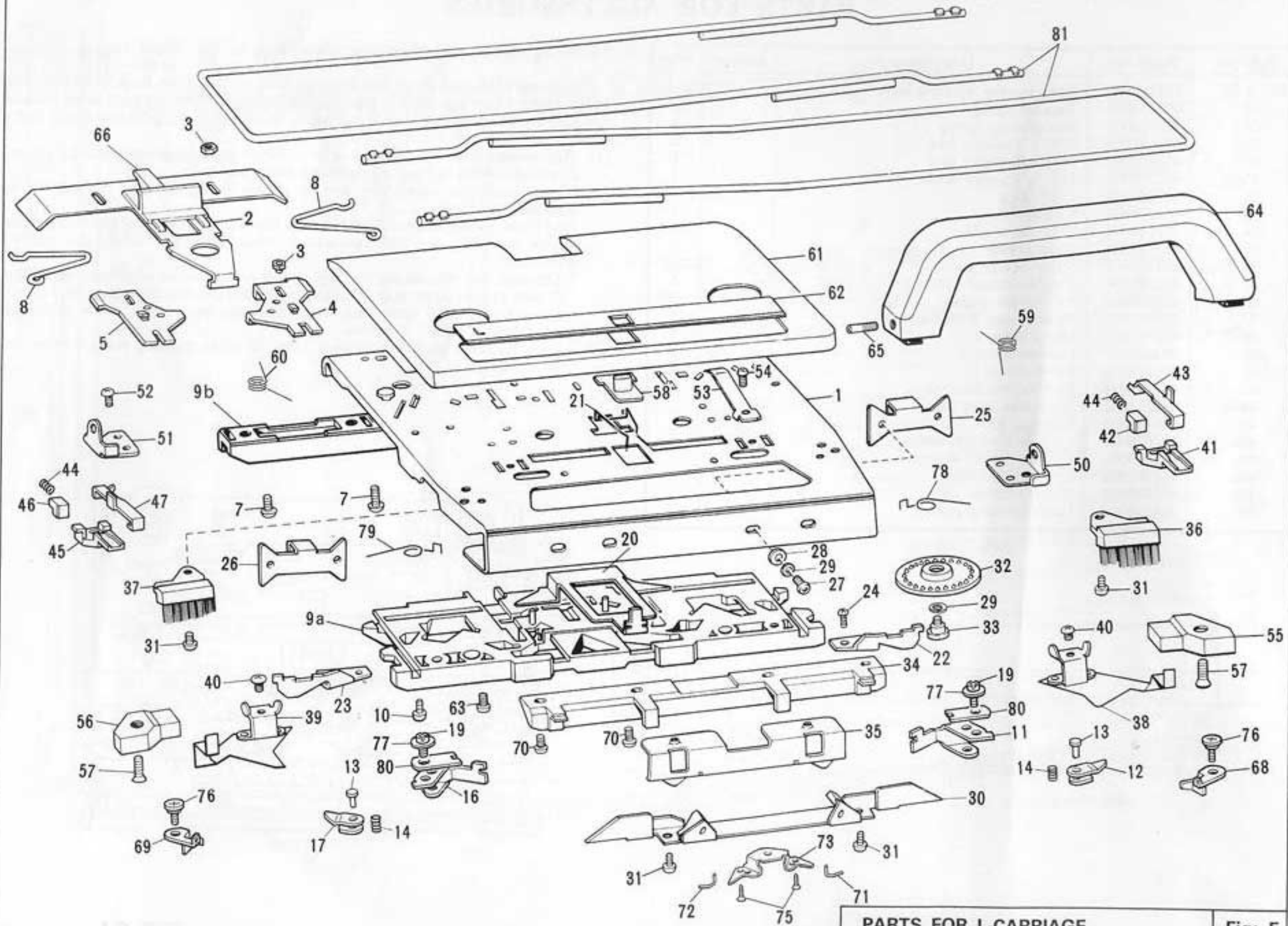
PARTS FOR CARRYING CASE

Fig: D



PARTS FOR ACCESSORIES

Fig: E



PARTS FOR L-CARRIAGE

Fig: F