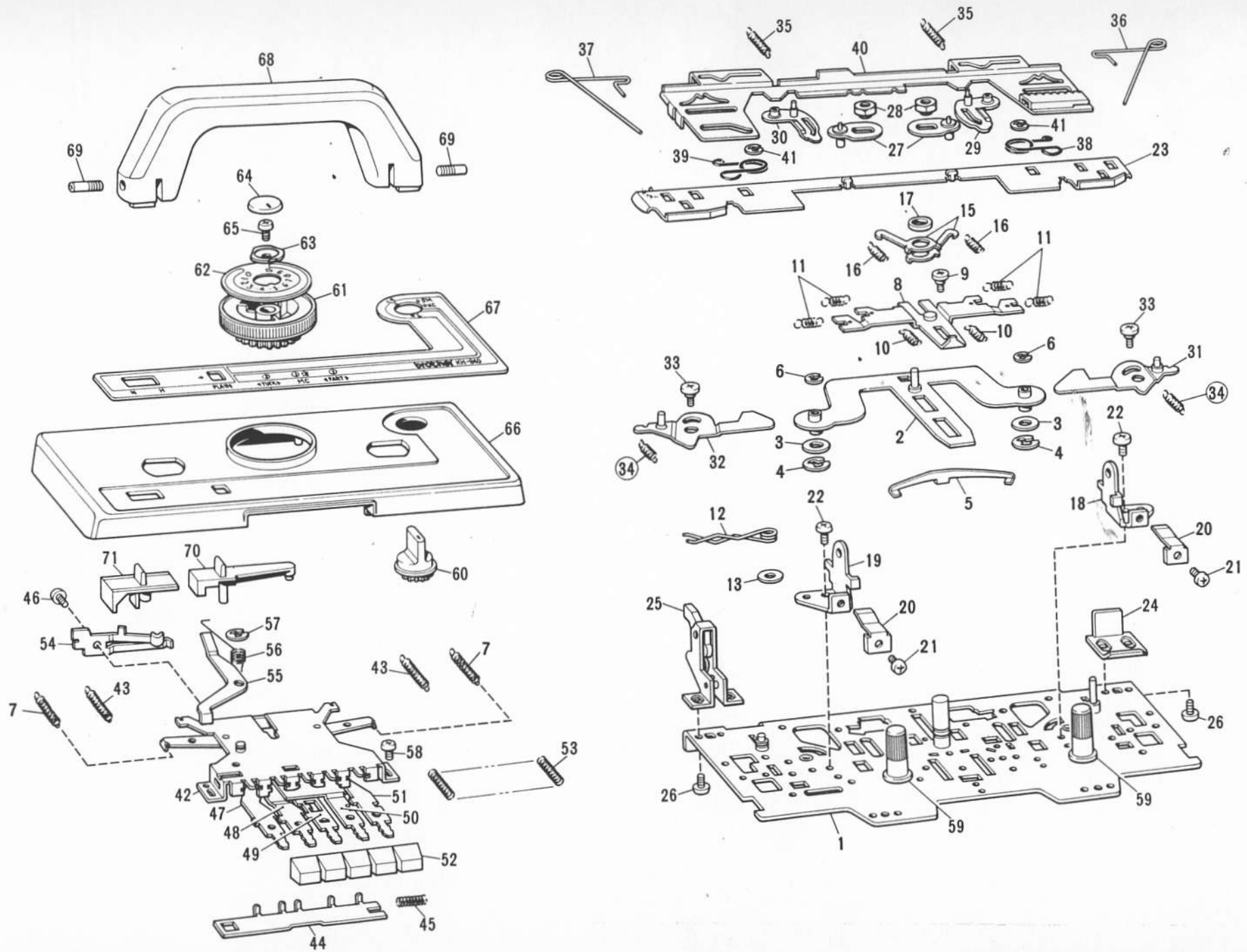


PARTS CATALOGUE FOR KH-840 KNITTING MACHINE

Vertical text on the left edge, likely bleed-through from the reverse side of the page. The text is faint and difficult to read, but appears to contain technical specifications or part numbers.



PARTS FOR CARRIAGE Fig: A I

PARTS FOR CARRIAGE UPPER PART

Ref. No.	Parts No.	Description	Revised	Q'ty	Ref. No.	Parts No.	Description	Revised	Q'ty
A 1-174	409966001	Carriage complete set KH-840 BRO	487071001	1	A I -53				
1	409501001	Carriage plate		1	54	409595001	Stitch dial notch spring		1
2	409504001	Stitch cam guide plate		1	55	409588001	Plain lever		1
3	405483001	Washer		2	56	409589001	Plain lever spring		1
4	048070346	Snap ring		2	57	048040346	Snap ring		1
5	409506001	Stitch cam guide plate spring		1	58	060670403	+ - Screw 3.57×4		2
6	048030346	Snap ring		2	59	409596001	Thumb nut		2
7	407432001	Rasing cam change spring		2	60	409597001	Change knob		1
8	407692001	Change plate		1	61	409599001	Stitch dial		1
9	408491001	Change plate guide collar		1	62	409974001	Stitch dial indicator plate		1
10	407318001	Change plate spring		2	63	406283001	Stitch dial presser		1
11	407319001	MC cam spring		4	64	409601001	Stitch dial cap		1
12	407333001	H.C.L. spring		1	65	060660603	+ - Screw 3.18×6		1
13	402447003	Washer		1	66-67	409975001	Carriage cover assembly KH-840 BRO		1
14	048030346	Snap ring		1	66				
15	407341001	Tuck cam operating plate		2	67	409976001	Carriage cover decoration plate KH-840 BRO		1
16	407342001	Tuck cam spring		2	68	409605001	K carriage handle		1
17	407343001	Presser ring		1	69	409608001	Screw		2
18	409520001	Handle setting base, right		1	70	409609001	Plain lever knob		1
19	409521001	Handle setting base, left		1	71	409610001	H.C.L. knob		1
20	409522001	Handle lock spring		2					
21	060670403	+ - Screw 3.57×4		2					
22	060680503	+ - Screw 4.37×5		2					
23	409554001	Rear plate		1					
24	409972001	Rear plate guide		1					
25	409967001	Row counter tripper assembly		1					
26	060660403	+ - Screw 3.18×4		4					
27	409567001	S.M. cam lever		2					
28	409571001	Nut		2					
29	409572001	S.M. cam change crank, right		1					
30	409576001	S.M. cam change crank, left		1					
31	409578001	Cam change plate, right		1					
32	409581001	Cam change plate, left		1					
33	408506001	Stud screw 3.18		2					
<u>34</u>	409516001	End needle selection cam spring	Effective Serial No.	2					
<u>34</u>	410671001	End needle selection cam spring	up to 1128000	2					
			from 1128001	2					
			to 1156864	2					
<u>34</u>	410927001	End needle selection cam spring	from 1156865	2					
35	409585001	Needle selection change lever spring		2					
36	409498001	Valve cam E spring, right		1					
37	409499001	Valve cam E spring, left		1					
38	409543001	Connecting plate spring, right		1					
39	409544001	Connecting plate spring, left		1					
40	409565001	Upper slide plate		1					
41	048040346	Snap ring		2					
42-57	409590001	Cam button unit		1					
42									
43									
44									
45									
46									
47									
48									
49									
50									
51									
52	405302003	Push button		5					

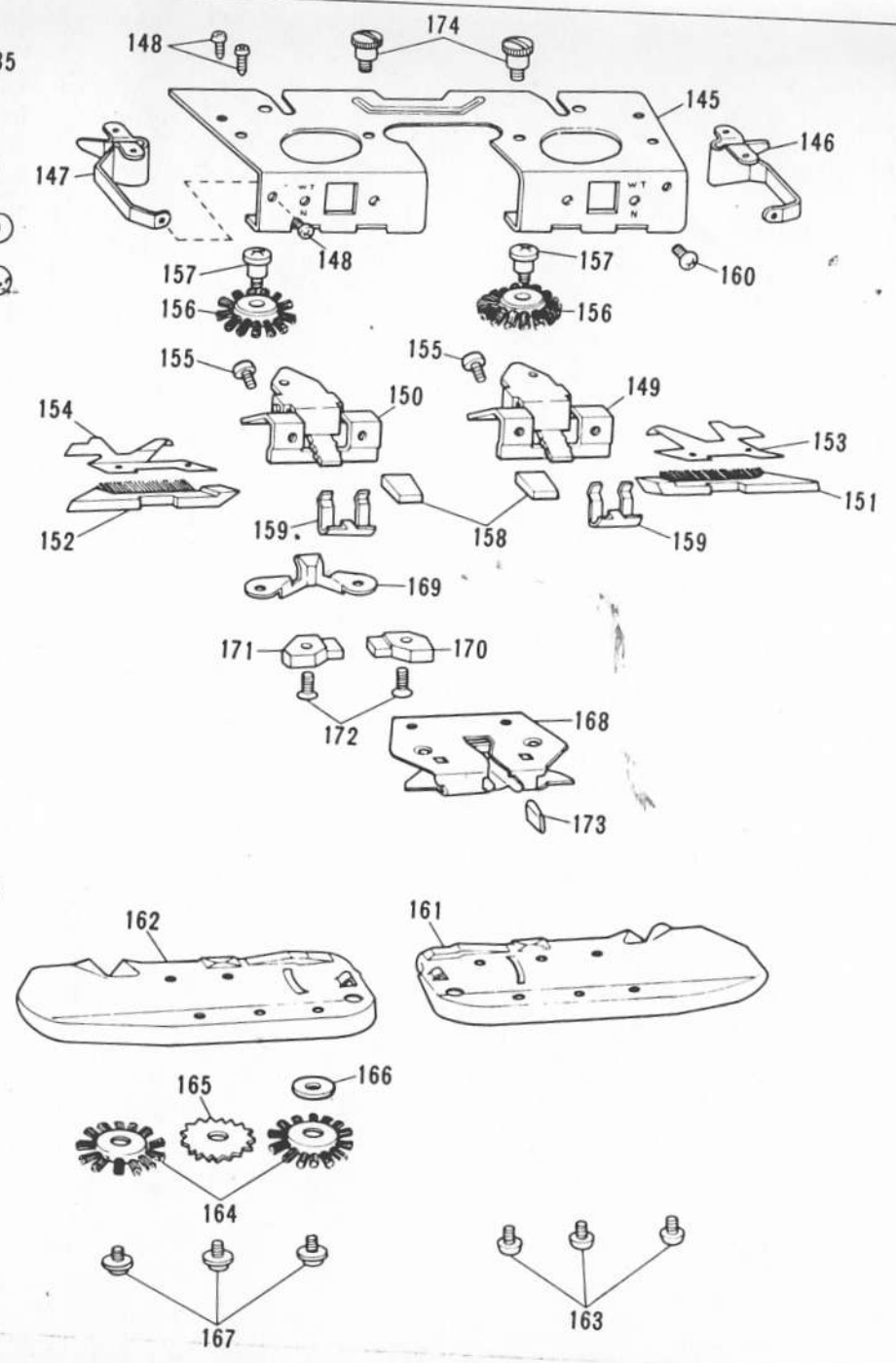
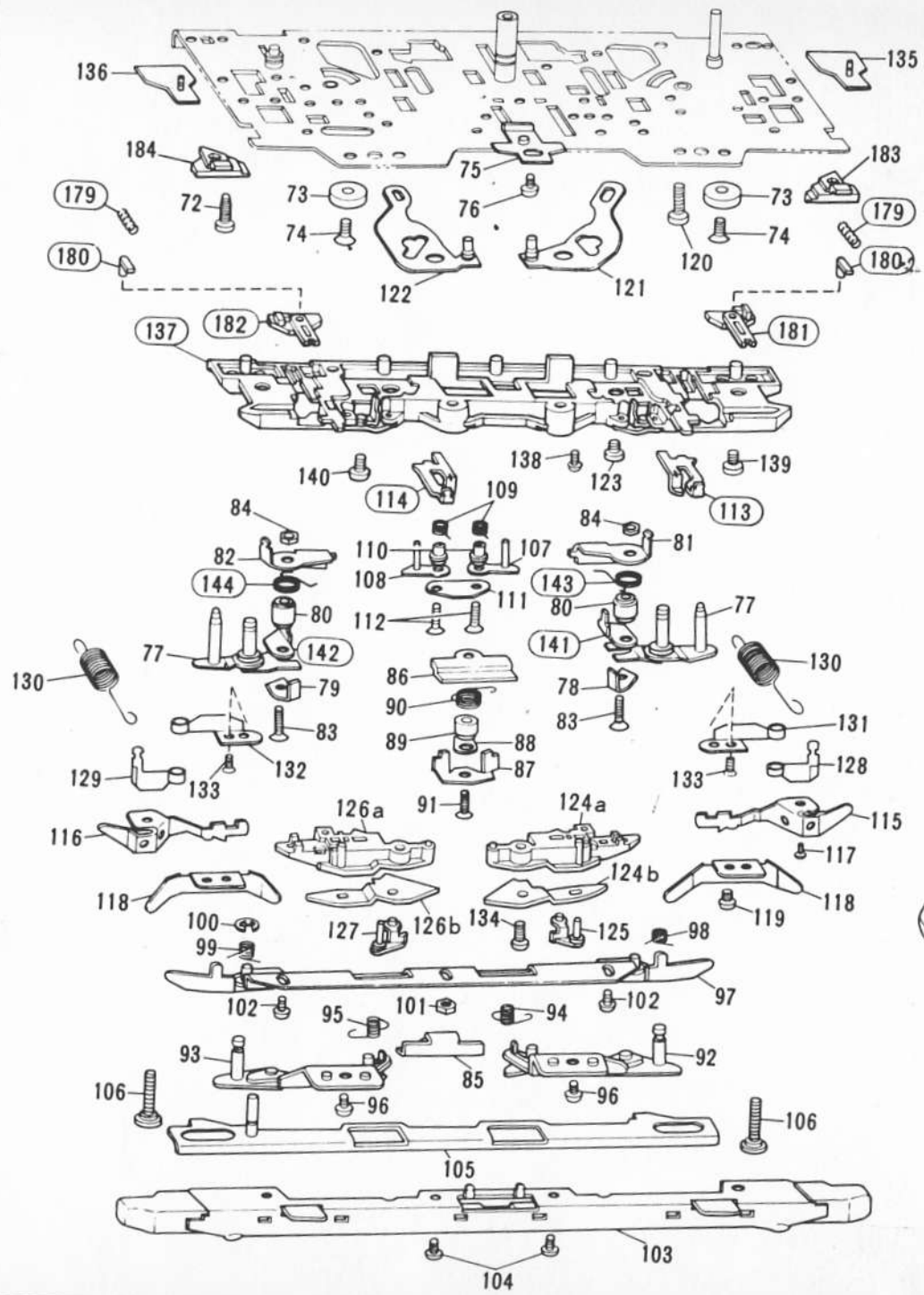
Technical Information

Selection mechanism of end needle was improved from February production of the year 1980. The second modification was done from July production of the year 1980. It is possible to switch the selection mechanism "ON" or "OFF". Any of new parts become, however, not interchangeable to old parts.

Since we encircle the Ref. No. of these parts, please make sure whether you require old parts or new parts when placing order. For your information, this modification has been started from the machine serial No. indicated accordingly.

At the same time, Valve Cam D, right Ref. No. AII-141
 Valve Cam D, left Ref. No. AII-142
 Valve Cam D Spring, right Ref. No. AII-143
 Valve Cam D Spring, left Ref. No. AII-144

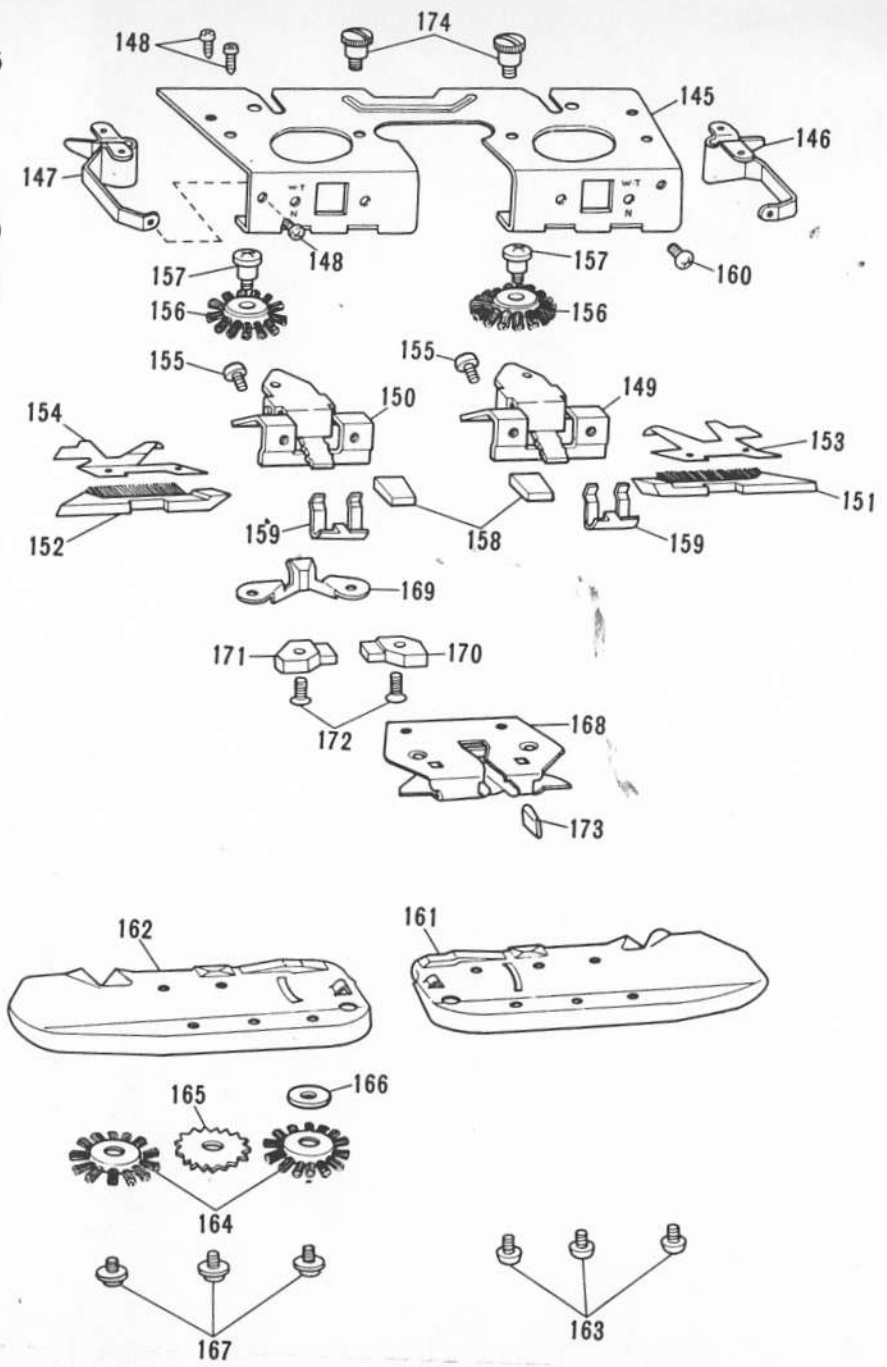
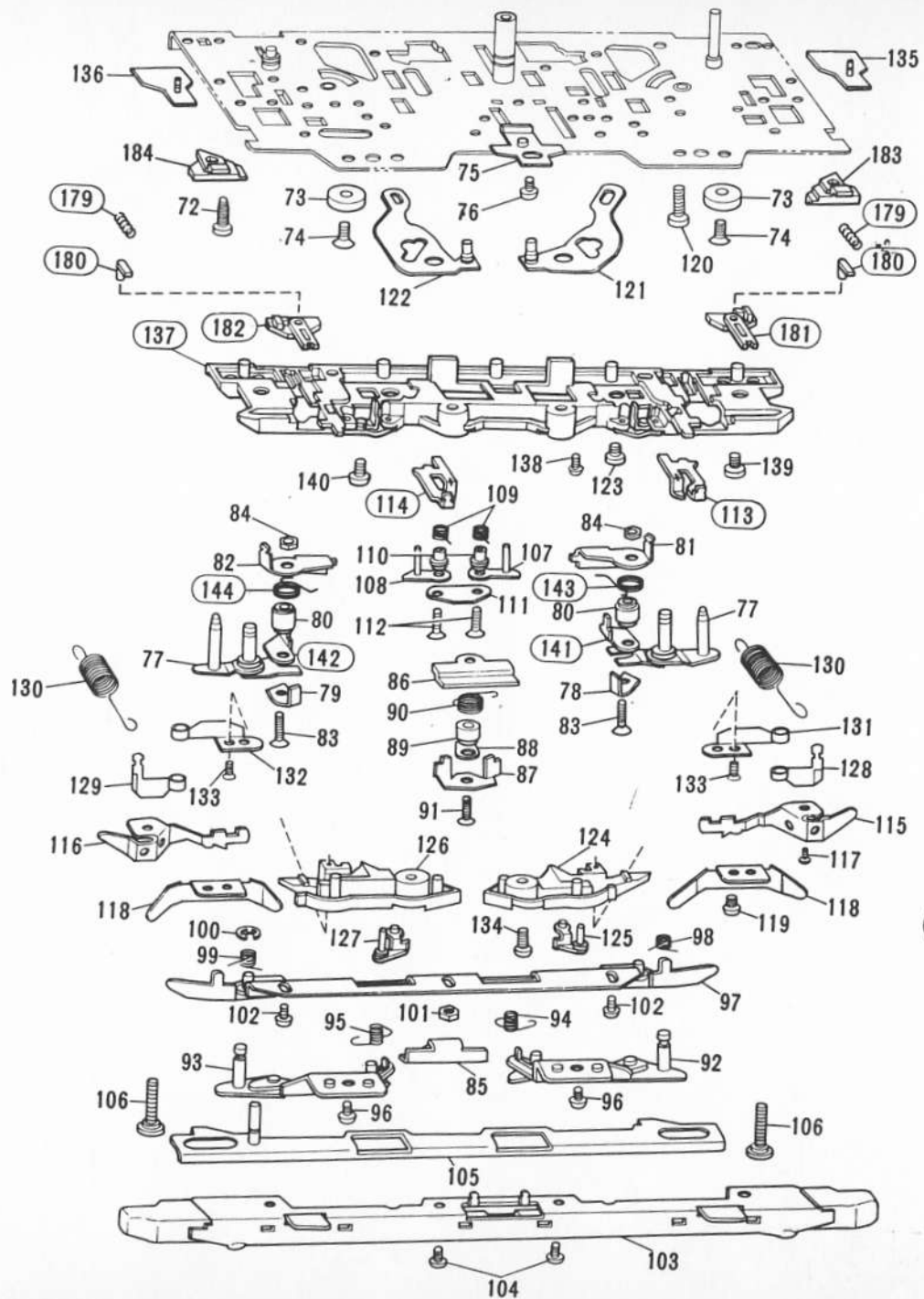
are modified due to the change of design. These parts are not interchangeable between old and new parts individually. Therefore, please change a set of old Cam and Spring for new one.



PARTS FOR CARRIAGE Fig: A II

PARTS FOR CARRIAGE LOWER PART

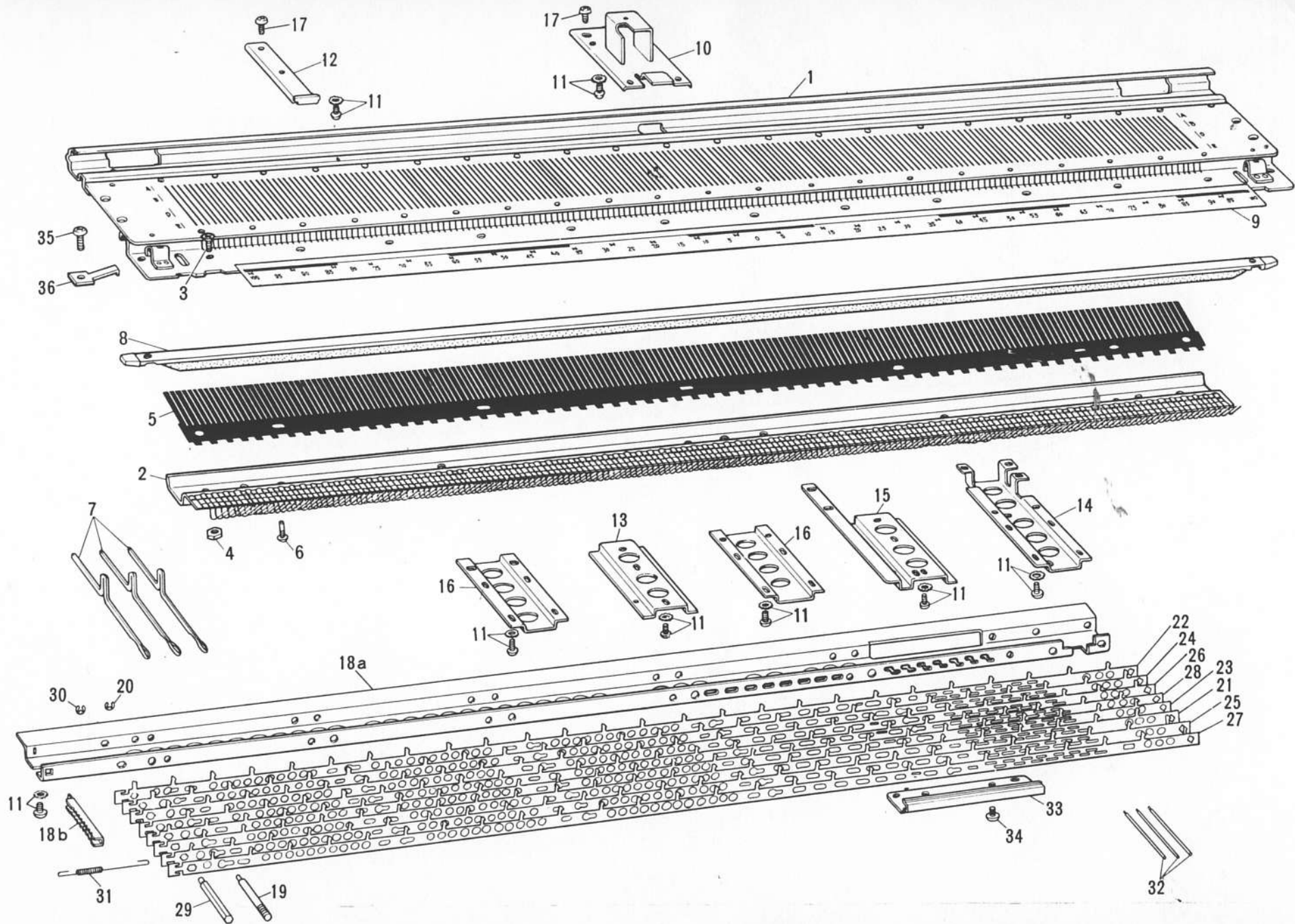
Ref. No.	Parts No.	Description	Revised	Q'ty	Ref. No.	Parts No.	Description	Revised	Q'ty
A II- 72	037351615	Tapping screw		2	A II-122	409526001	Needle selection change plate, left		1
73	407285000	Carriage magnet 16		2	123	409528001	Stud screw		2
74	408773001	Flat head screw 3.18×9		2	124	409921001	Selection cam, right	{ 411491001	1
75	407289001	Stripe adjuster plate		1	125	409530001	Needle selection change cam, right	{ 411489001	1
76	060679303	+ - Screw 3.57×3.5		1	126	409922001	Selection cam, left	{ 411492001	1
77	409507001	Stitch cam assembly		2	127	409535001	Needle selection change cam, left	{ 411490001	1
78	407296001	Sub stitch cam, right		1	128	409584001	Valve cam F, right	410883001	1
79	407297001	Sub stitch cam, left		1	129	409586001	Valve cam F, left	410884001	1
80	407298001	Sub stitch cam shaft		2	130	409570001	Valve cam F spring		2
81	407313001	MC cam, right		1	131	409537001	Guide cam G, right		1
82	407314001	MC cam, left		1	132	409538001	Guide cam G, left		1
83	407312001	Screw		2	133	410030001	Flat head screw 2.38×14		2
84	021660406	Nut		2	134	060661003	+ - Screw 3.18×10		2
85	408465001	Slide cam		1	135	409539001	Connecting plate, right	Effective	1
86	408466001	Slide cam guide		1	136	409541001	Connection plate, left	Serial No.	1
87	407356001	Guide cam C		1	(137)	409895001	Rear foot	up to 1128000	1
88	407635001	Valve cam C		1	(137)	410777001	Rear foot	from 1128001	1
89	408467001	Shaft for guide cam C		1	(137)	409895001	Rear foot	to 1156864	1
90	407636001	Valve cam C spring		1	138	060660403	+ - Screw 3.18×4	from 1156865	1
91	408459001	Flat head screw C		1	139	409494001	Screw 3.57		2
92	408468001	Guide cam B, right		1	140	060661213	Screw 3.18×12		2
93	408471001	Guide cam B, left		1	(141)	407641001	Valve cam D, right	410488001	1
94	408473001	Valve cam B spring, right		1	(142)	407642001	Valve cam D, left	410489001	1
95	408474001	Valve cam B spring, left		1	(143)	407696001	Valve cam D spring, right	410490001	1
96	408305002	Screw		2	(144)	407697001	Valve cam D spring, left	410491001	1
97-100	407455001	Guide cam A assembly		1	145-174	409977001	Sinker plate complete set		1
97	407320001	Guide cam A		1	145-167	409978001	Sinker plate assembly without feeder		1
98	407325001	Holding cam spring, right		1	145	409979001	Sinker plate arm		1
99	407326001	Holding cam spring, left		1	146	407427000	Weaving thread guide, right		1
100	048030346	Snap ring		2	147	407428000	Weaving thread guide, left		1
101	408524001	Nut		1	148	409162001	Tapping screw 3V-2.6		6
102	408305002	Screw		2	149	410026001	Weaving lever assembly, right		1
103	409892001	Front foot		1	150	410027001	Weaving lever assembly, left		1
104	408305002	Screw		2	151	410003001	Latch opening brush, right		1
105	407327001	Front slide plate		1	152	410004001	Latch opening brush, left		1
106	408504001	Stud screw 3.18		2	153	408607000	Latch presser plate, right		1
107	407579001	Tuck cam, right		1	154	408608000	Latch presser plate, left		1
108	407586001	Tuck cam, left		1	155	037280616	Screw		4
109	407338001	Tuck cam spring		1	156	407437001	Weaving pattern brush		2
110	407339001	Shaft for tuck cam		2	157	408316001	Stud screw for weaving pattern brush		2
111	407340001	Tuck cam plate		1	158	409629001	Weaving lever knob		2
112	407299001	Screw	Effective Serial No.	2	159	407441001	Weaving lever spring		2
(113)	409510001	Selection cam for right end needle	up to 1128000	1	160	408305001	Screw		4
(113)	410781001	Selection cam for right end needle	from 1128001	1	161	410031001	Sinker plate, right	407442001	1
(113)	410924001	Selection cam for right end needle	to 1156864	1	162	410033001	Sinker plate, left	407444001	1
(114)	409513001	Selection cam for right end needle	from 1156865	1	163	060660303	+ - Screw 3.18×3		6
(114)	410782001	Selection cam for right end needle	up to 1128000	1	164	407702001	Wheel brush		4
(114)	410925001	Selection cam for right end needle	from 1128001	1	165	405184001	Plastic gear	405184002	2
(114)	410925001	Selection cam for right end needle	to 1156864	1	166	405325001	Washer		2
(114)	410925001	Selection cam for right end needle	from 1156865	1	167	409621001	+ - Screw 3.18		6
115	409897001	Separation cam, right		1	168-172	409980001	Double yarn feeder assembly		1
116	409898001	Separation cam, left		1	168	409981001	Yarn feeder body		1
117	060660403	+ - Screw 3.18×4		2	169	409625000	Magnet holder plate		1
118	409519001	Guide cam F		2	170	407454000	Magnet, right		1
119	062660403	+ - Screw 3.18×4		2	171	407578000	Magnet, left		1
120	062681203	+ - Screw 4.37×12		2	172	002631003	Fastening screw, 2.38×10		2
121	409523001	Needle selection change plate, right		1					



PARTS FOR CARRIAGE Fig:A II

PARTS FOR CARRIAGE LOWER PART

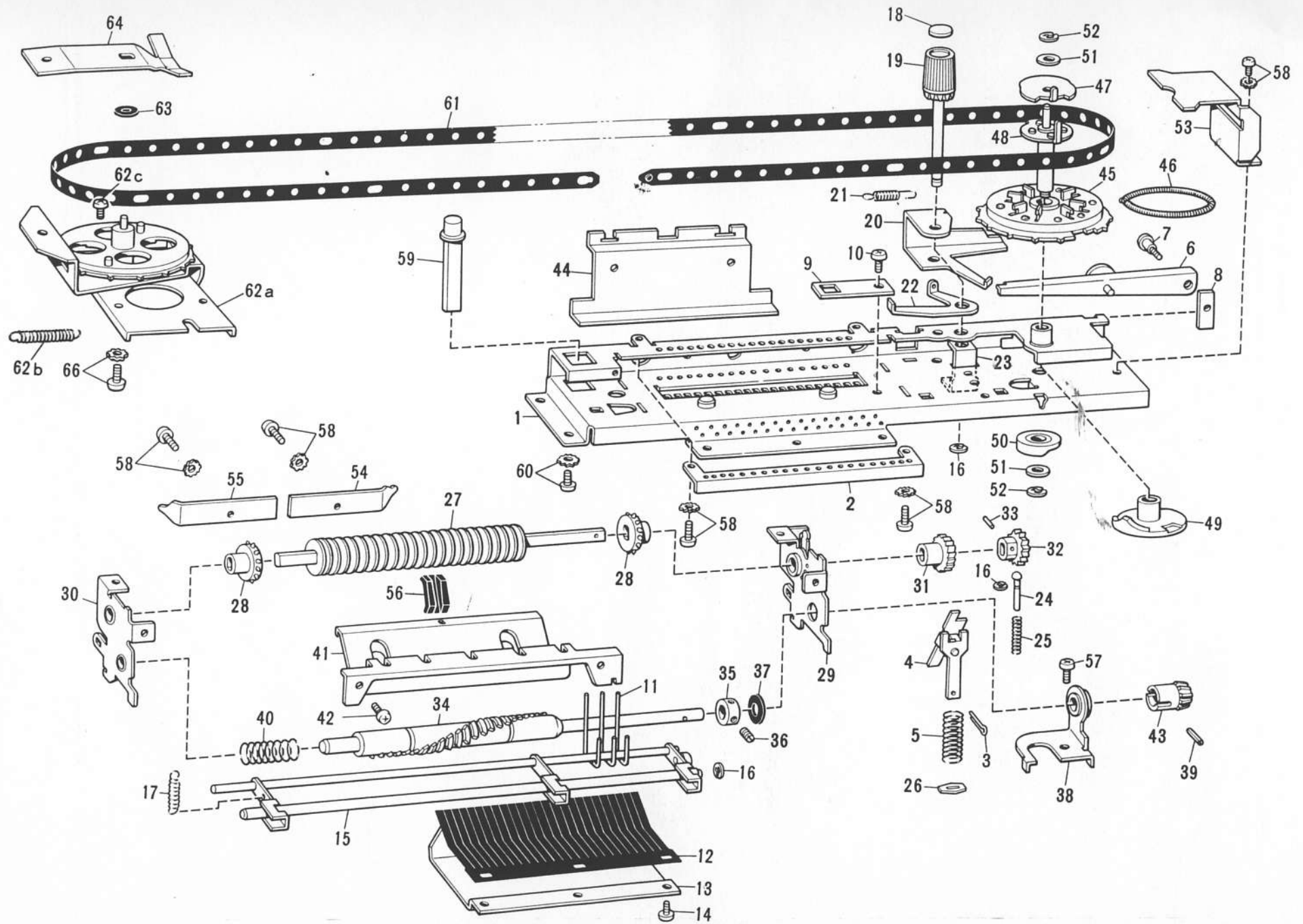
Ref. No.	Parts No.	Description	Revised	Q'ty	Ref. No.	Parts No.	Description	Revised	Q'ty
A II-173 174	407450002 409626001	Yarn feeder knob Thumb screw		1 2					
(175)	410779000	Selection guide for right end needle	Effective Serial No. from 1128001 to 1156864	1 1					
(181)	410922001	Selection guide for right end needle	from 1156865	1					
(176)	410780000	Selection guide for left end needle	from 1128001 to 1156864	1 1					
(182)	410923001	Selection guide for left end needle	from 1156865	1					
(177)	410783001	Selection change cam for right end needle	from 1128001 to 1156864	1 1					
(178)	410784001	Selection change cam for left end needle	from 1128001 to 1156864	1 1					
(179)	410928001	Selection guide spring	from 1156865	2					
(180)	410926001	End needle selection switch cam	from 1156865	2					
(183)	410929000	Buffer right, for selected needle	from 1156865	1					
(184)	410930000	Buffer left, for selected needle	from 1156865	1					



PARTS FOR NEEDLE BED Fig: B

PARTS FOR NEEDLE BED

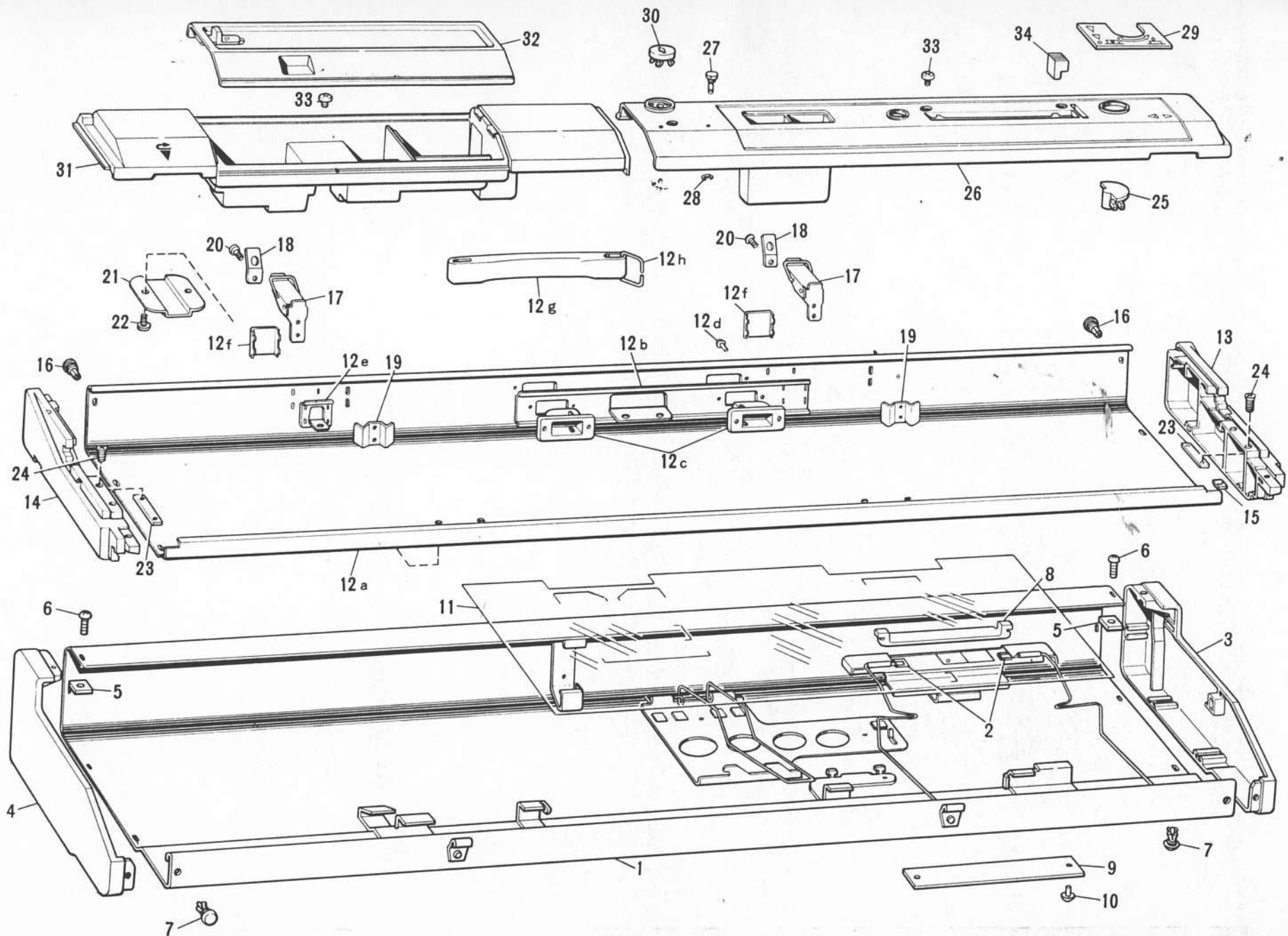
Ref. No.	Parts No.	Description	Revised	Q'ty	Ref. No.	Parts No.	Description	Revised	Q'ty
B- 1	408543001	Needle bed assembly		1					
2	408618001	Needle bed comb assembly	409641001	1					
3	004630704	Screw		12					
4	405077001	Nut		12					
5	407112001	Needle retaining spring		1					
6	407687001	Screw		3					
7	407113001	Plain needle		200					
8	405078002	Needle presser bar assembly		1					
9	407114001	Needle position indicator		1					
10	407565001	Carrying case reinforcing plate A		1					
11	409197001	Screw with washer 3.18×4		27					
12	407116000	Carrying case reinforcing plate B		1					
13	407120000	Lower holder plate		1					
14	407121000	Stay, right		1					
15	408061000	Stay, center		1					
16	407123000	Stay, left		2					
17	060660403	+ - Screw 3.18×4		3					
18a-31	408087001	Needle selector plate holder assembly		1					
18a-b	408096001	Needle selector plate holder		1					
19	408159001	Shaft		6					
20	048025346	Snap ring		6					
21	408088001	Needle selector plate, 1		1					
22	408089001	Needle selector plate, 2		1					
23	408090001	Needle selector plate, 3		1					
24	408091001	Needle selector plate, 4		1					
25	408092001	Needle selector plate, 5		1					
26	408093001	Needle selector plate, 6		1					
27	408094001	Needle selector plate, 7		1					
28	408095001	Needle selector plate, 8		1					
29	408172001	Shaft B		1					
30	048025346	Snap ring		1					
31	408086001	Needle selector plate spring		8					
32	408098001	N.S.P. operation lever		24					
33	408099001	Operation lever presser		1					
34	060660403	+ - Screw 3.18×4		2					
35	060660704	+ - Screw 3.18×7		2					
36	407457001	Extension rail lock spring		2					



NEEDLE SELECTOR UNIT Fig: C

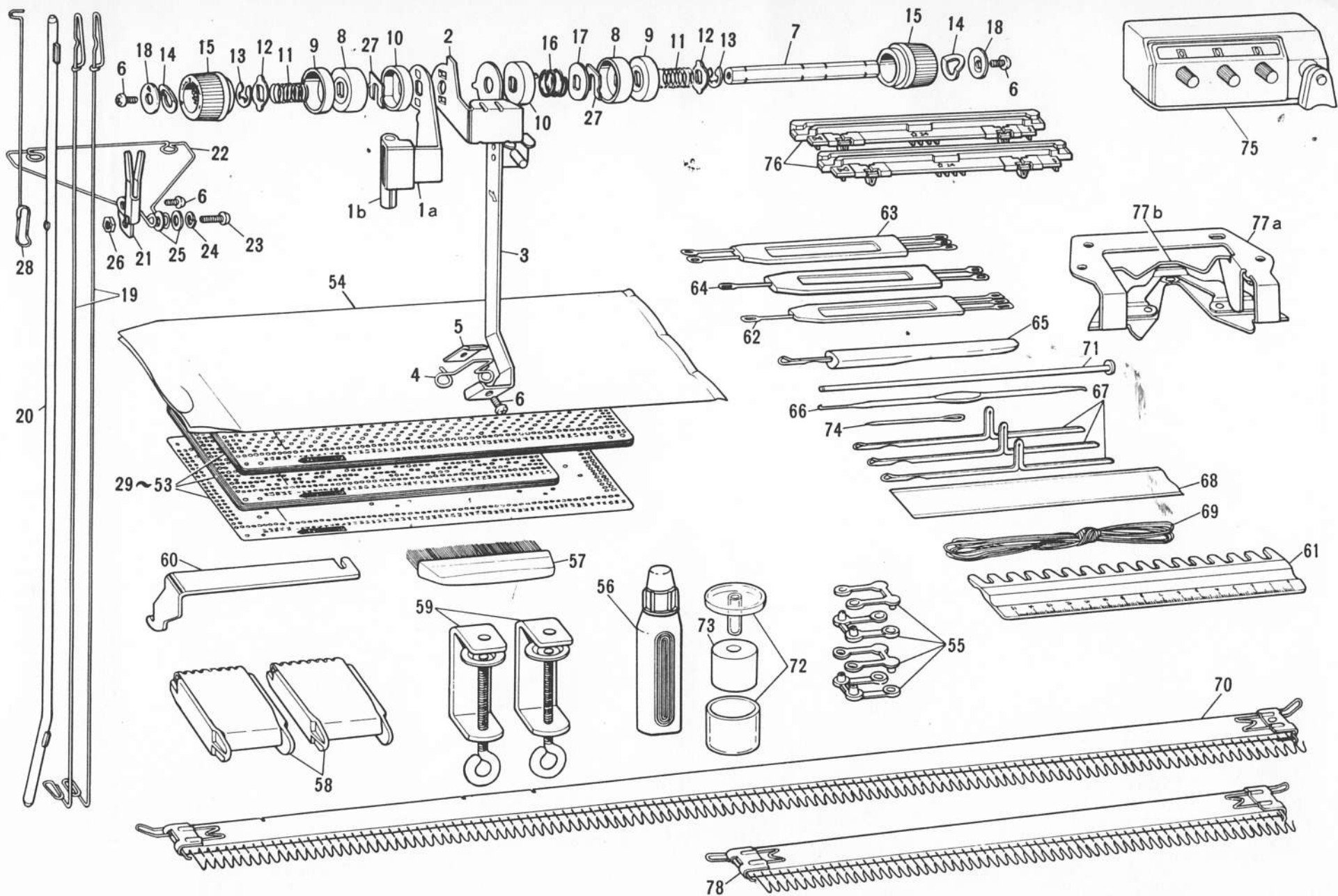
PARTS FOR NEEDLE SELECTOR UNIT

Ref. No.	Parts No.	Description	Revised	Q'ty	Ref. No.	Parts No.	Description	Revised	Q'ty
C- 1-58	410007001	Needle selector unit		1	C-57	060660503	+ - Screw 3.18×5		1
1	409662001	Needle selector unit body		1	58	409197001	Screw with washer 3.18×4		6
2	409679000	Card reader adjusting plate		1	59	408065006	Push button		1
3	045100802	Split pin		1	60	409197001	Screw with washer 3.18×4		5
4	409665001	Ratchet assembly		1	61	408181001	Timing belt		1
5	407145001	Ratchet operation plate spring		1	62a-d	410012002	Pulley assembly		1
6	408529001	Card feeding lever assembly		1	62b	410016001	Belt tension control spring		1
7	408534001	Stud screw		1	62c	410072001	Screw with washer		1
8	407197000	Card feeding adjuster plate		1	62d	410071000	Pulley Adjusting Plate		1
9	408068001	Card reader guide stopper		1	63	407596000	Washer		1
10	060660403	+ - Screw 3.18×4		1	64	407597001	Brake spring		1
11	407152001	Card reader		24	65	060660403	+ - Screw 3.18×4		1
12	408315001	Card reader spring		1	66	409197001	Screw with washer 3.18×4		2
13	408213000	Card reader spring presser plate		1					
14	062669303	+ - Screw 3.18×3.5		3					
15	408069001	Card reader release plate assembly		1					
16	048020346	Snap ring		3					
17	407161001	Spring for card reader release plate		1					
18-19	407189007	Card feeding knob assembly		1					
20	408535001	Intermittent feeding lever		1					
21	408536001	Intermittent feeding lever spring		1					
22	408537001	Change lever		1					
23	407193000	Card feeding knob stopper cam		1					
24	407179001	Card position guide pin		1					
25	407180001	Spring		1					
26	407464000	Ratchet spring stopper ring		1					
27-42	410008001	Card feeding unit		1					
27	407162001	Card roller		1					
28	407164001	Feeding gear		2					
29	409673001	Card roller holder right assembly		1					
30	408075001	Card roller holder, left		1					
31	407176000	Ratchet wheel		1					
32	407177000	Card position guide gear		1					
33	407473001	Pin		1					
34	408078002	Rotary cam		1					
35	407184001	Rotary cam adjuster collar		1					
36	013680516	Stopper screw		2					
37	409658001	Washer 8.1		1					
38	409659001	Bevel gear stopper plate		1					
39	407183001	Pin		1					
40	408165001	Rotary cam spring		1					
41	407187001	Card guide		1					
42	060660403	+ - Screw 3.18×4		2					
43	409191000	Bevel gear		1					
44	407188000	Card reader holder		1					
45	408173001	Clutch wheel assembly		1					
46	410017001	Clutch spring		1					
47	407205001	Clutch cam B		1					
48	407206001	Clutch cam A		1					
49	408082000	Card feeding cam		1					
50	408083000	Card reader release cam		1					
51	025350333	Washer		2					
52	048025346	Snap ring		2					
53	408084000	Timing belt guide plate, right		1					
54	408309001	Spring plate R		1					
55	408308001	Spring plate L		1					
56	407467000	Card guide pin holder		1					



PARTS FOR CARRYING CASE

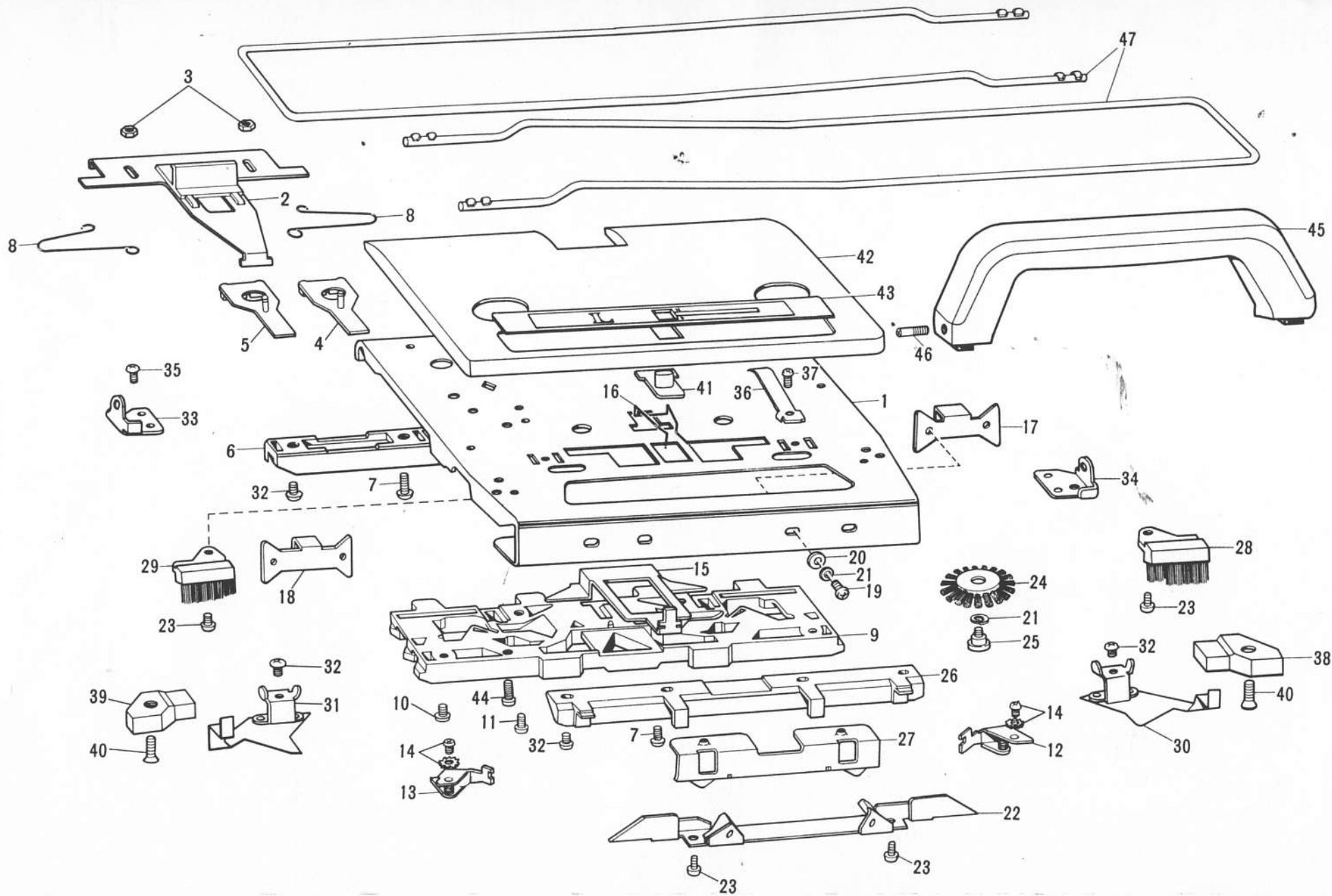
Ref. No.	Parts No.	Description	Revised	Q'ty	Ref. No.	Parts No.	Description	Revised	Q'ty
D- 1-20	409983001	Carrying case complete KH-840 BRO		1					
1-11	409984001	Carrying case upper assembly KH-840 BRO		1	55-72				
2	408250001	Cushion tube		2					
3	407250006	Upper side plate, right		1					
4	407251006	Upper side plate, left		1					
5	407252001	Square nut, 3.18		2					
6	408307001	Screw		2					
7	408194001	Plastic rivet		8					
8	407741001	L carriage holder plate		1					
9	409985001	Brother name plate KH-840		1					
10	408037001	Rivet		2					
11	409986001	Packing instruction sheet		1					
12a-20	409942001	Carrying case lower assembly		1					
12a-h	409943001	Carrying case lower body		1					
a									
b									
c									
d									
e									
f									
g									
h									
13	407262006	Lower side plate, right		1					
14	407263006	Lower side plate, left		1					
15	407252001	Square nut, 3.18		2					
16	408194001	Plastic rivet		6					
17	404022001	Carrying case lock assembly		2					
18	404027001	Carrying case lock spring		2					
19	407115000	Fastening plate		2					
20	405658001	Fastening screw		4					
21	407261001	Table clamp setting plate		2					
22	060660604	+ - Screw 3.18x6		4					
23	407265000	Needle bed fastening plate		2					
24	407119001	Screw		4					
25	407523002	Direction indicator plate		1					
26-30	409993001	Panel assembly		1					
26									
27									
28									
29									
30									
31-32	408545002	Accessories box assembly		1					
31									
32									
33	060660504	+ - Screw 3.18x5		4					
34	407277006	Card lock lever knob		1					



PARTS FOR ACCESSORIES Fig: E

PARTS FOR ACCESSORIES

Ref. No.	Parts No.	Description	Revised	Q'ty	Ref. No.	Parts No.	Description	Revised	Q'ty
E- 1a-28	408553002	Yarn tension unit assembly	410672001	1					
1a									
1b									
2									
3									
4									
5									
6									
7									
8									
9									
10									
11									
12									
13									
14									
15									
16									
17									
18									
19	404755001	Take-up spring		2					
20									
21									
22									
23									
24									
25									
26									
27									
28	408614001	Sub take-up spring		1					
29-54	409991001	Punch card set KH-840		1					
55	409170001	Plastic snap (4pcs. in one set)		1					
56	405135004	Special knitting machine oil		1					
57	403552002	Hand brush		1					
58	404883005	Claw weight		2					
59	409198001	Table clamp		2					
60	407481001	Carriage lock		1					
61	407482002	1/1 needle pusher		1					
62	402575003	1×3 transfer tool		1					
63	402631003	2×3 transfer tool		1					
64	402576003	1×2 transfer tool		1					
65	407458002	Latch tool		1					
66	402577001	Crochet		1					
67	407113001	Plain needle		3					
68	407483000	Spare needle case		1					
69	402389001	Cast-on thread		1					
70	404787005	Cast-on comb, long		1					
71	407518001	Card holder pin		1					
72-73	487221001	Yarn wax with case		1					
74	402714001	Tapestry needle		1					
75	405134006	Row counter		1					
76	410009001	Single motif (S.M.) cam		2					
77a-b	409883001	Plating yarn feeder assembly		1					
78	404884005	Cast-on comb, short		1					



PARTS FOR L-CARRIAGE Fig: F

PARTS FOR L-CARRIAGE

Ref. No.	Parts No.	Description	Revised	Q'ty	Ref. No.	Parts No.	Description	Revised	Q'ty
F- 1-46	409996001	L carriage assembly KH-840		1					
1	409733001	L carriage plate		1					
2	408126005	Release button plate assembly		1					
3	408166001	Stud for release button plate		1					
4	408167001	Connecting plate R for L carriage		1					
5	408169001	Connecting plate L for L carriage		1					
6	407493000	Rear foot		1					
7	060660703	+ - Screw 3.18×7		4					
8	408128001	Connecting plate spring		2					
9	408568000	Main cam		1					
10	060660703	+ - Screw 3.18×7		2					
11	060660703	+ - Screw 3.18×7		2					
12	408569001	Separation cam R for L carriage		1					
13	408571001	Separation cam L for L carriage		1					
14	409197001	Screw with washer 3.18×4		2					
15	408582001	Lace selecting cam		1					
16	408583001	Change lever spring		1					
17	408140001	Needle transfer plate, R		1					
18	408141001	Needle transfer plate, L		1					
19	060660504	+ - Screw 3.18×5		4					
20	403069001	Washer		4					
21	028030243	Spring washer		4					
22	408573001	Cam plate		1					
23	060660403	+ - Screw 3.18×4		4					
24	408146002	Wheel brush		2					
25	405029001	Stud screw		2					
26	407490000	Front foot		1					
27	408579001	Front foot holder		1					
28	408580002	Small brush, right		1					
29	408581002	Small brush, left		1					
30	408561001	Spring plate, right		1					
31	408562001	Spring plate, left		1					
32	060660403	+ - Screw 3.18×4 for Fig. F30 & F31		2					
	060660703	+ - Screw 3.18×7 for Fig. F6 & F26		4					
33	409739001	Handle setting base, left		1					
34	409740001	Handle setting base, right		2					
35	060670503	+ - Screw 3.57×5		2					
36	407522001	Handle lock spring		2					
37	060660403	+ - Screw 3.18×4		1					
38	407454000	Magnet, right		1					
39	407578000	Magnet, left		2					
40	004661003	Screw		1					
41	409744001	Lace selecting knob		1					
42-43	409997001	L carriage cover assembly							
42									
43				2					
44	060660403	+ - Screw 3.18×4		1					
45	409748001	L carriage handle		2					
46	409751001	Screw		2					
47	408122001	Extension rail							

Printed in Japan
K5 8505052

BROTHER INDUSTRIES, LTD.

The parts No. is subject to change without notice.